

INTRODUCTION



Molex's latest SD Memory Card Connector provides excellent anti-card-fly-out protection, coplanarity control and user-friendly card extraction compared to competitive designs.

The SD Card format was one of the original miniature memory card form factors, and in recent years has been replaced in some applications with smaller versions such as microSD. However, many applications such as digital still cameras still use this format, and customers in these markets are looking for increased features at a competitive price.

Molex met these needs with our latest 503500 version SD Card connector. This version offers a compact size and low profile to meet continuing down-sizing needs. The design also allows the card to extend outside the shell in a way that accommodates both space savings and easy card extraction needs.

Specifications:

- Current: 0.5A
- Voltage: 50V
- Contact Resistance: 100 milliohms max.
- Dielectric Strength: 500V AC
- Insulation Resistance: 1000 Megohms min.
- Durability: 10,000 cycles
- Operating Temperature: -25 to +85°C

SD Memory Card Connector 2.95mm (.116") Height Normal Mount, Push-Push with Detect, Protect and Anti-Card-Fly-Out Features

Series 503500 Compact Size with Extended Card Length

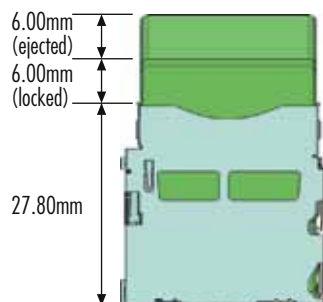


Features

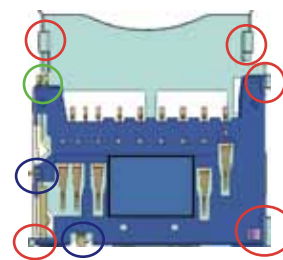
Benefits

- | | |
|---|--|
| • Compact design and low profile | • Space savings |
| • Anti-card-fly-out feature | • Provides safe and smooth card extraction |
| • Detect and write protect switch functions | • Senses card insertion and protects data |
| • Dual contact power pins | • Superior contact assurance |
| • Card polarization features | • Prevent incorrect card insertion |
| • Inner-lead terminal design | • Prevents terminal stubbing |

DESIGN FEATURES



Short shell length and optimal card extraction length combine to offer space savings and easy card extraction.



Five solder tabs

- : Shell nails (5)
- : Write protect switch mounting area (1)
- : Card detect switch mounting area (2)

MARKETS AND APPLICATIONS

- Digital still cameras
- Digital video cameras
- Portable audio players
- Portable games
- Car navigation
- Personal navigators





**SD Memory Card Connector
2.95mm (.116") Height
Normal Mount, Push-Push
with Detect, Protect and
Anti-Card-Fly-Out Features**

**Series 503500
Compact Size with
Extended Card Length**

Order No.	Pitch	Height
503500-0991	2.50mm (.098")	2.95mm (.116")

molex[®]
one company › a world of innovation

Americas Headquarters
2222 Wellington Ct,
Lisle, Illinois 60532 USA
Tel: 1-800-78MOLEX
amerinfo@molex.com

Asia Pacific North Headquarters
Yamato, Kanagawa, Japan
Tel: 81-46-265-2325
apninfo@molex.com

Asia Pacific South Headquarters
Jurong, Singapore
Tel: 65-6-268-6868
apsinfo@molex.com

European Headquarters
Munich, Germany
Tel: 49-89-413092-0
euroinfo@molex.com

Corporate Headquarters
2222 Wellington Ct,
Lisle, Illinois 60532 USA
Tel: 630-969-4550

Visit our website at www.molex.com