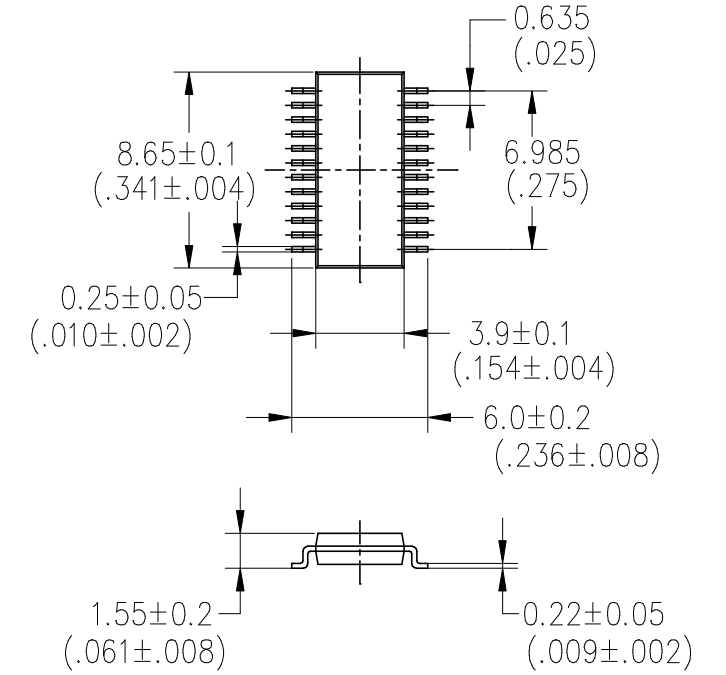
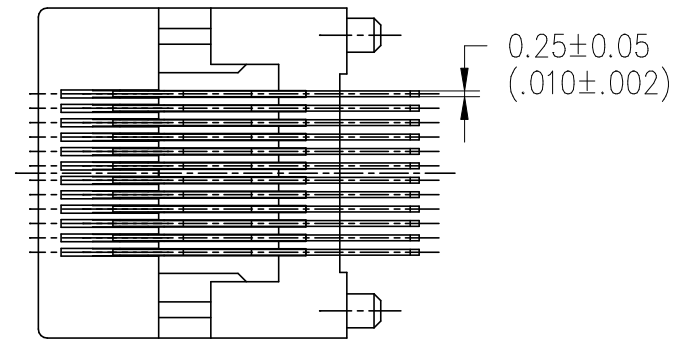
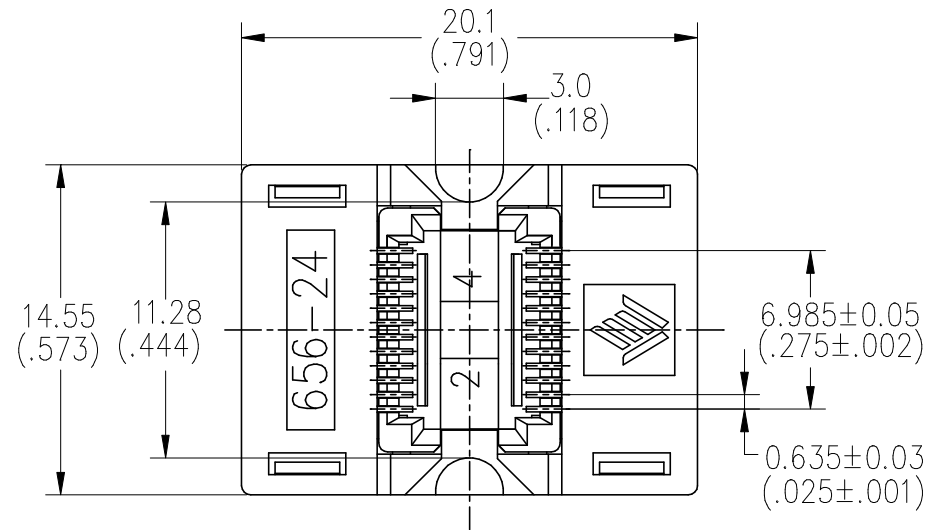
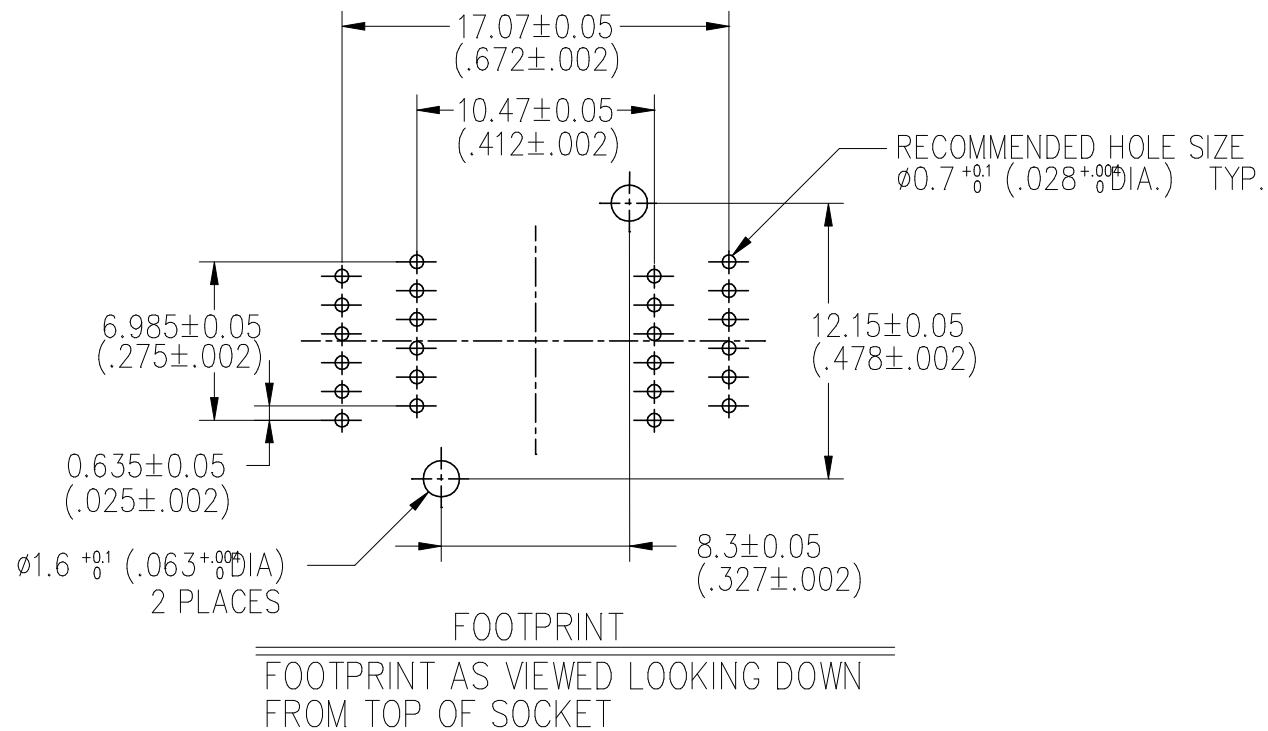
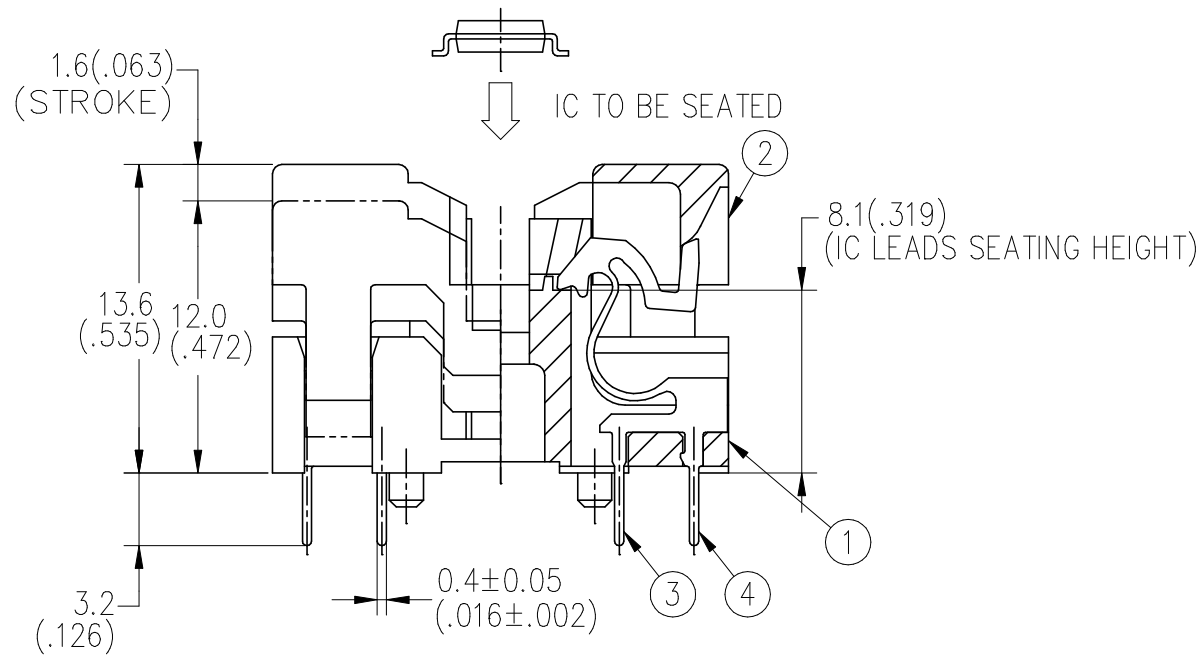


DATE	ECO NO	DESCRIPTION	BY
Dec 20 1994	CDN 94099		M,I



RECOMMENDED IC (REF)



Performance.

1. Insulation Resistance : 1000 M Ω min. at 500V.D.C
2. Dielectric Withstanding Voltage : 600 V.A.C (RMS)
3. Contact Resistance : 30 m Ω max. at 20 mV max.
4. Temperature Range : -40°C ~ +150°C

④	CONTACT- (B)	Be Cu	12	PLATING : Au
③	CONTACT- (A)	Be Cu	12	PLATING : Au
②	COVER-24P	PEI(GF)	1	COLOR : BLACK
①	BASE-24P	PEI(GF)	1	COLOR : BLACK

P.NO	PART DESCRIPTION	MATERIAL	QTY	NOTE
GENERAL TOLERANCES ± 0.3 (± 0.12)				
UNIT	SCALE	ANGLE	TITLE	
mm (in.)	3/1	3rd.	QSOP 24P SOCKET	
DRAWN	/	/	DWG NO.	
CHECKED	/	/	656-4242211	
APPROVED	/	/		

 WELLS JAPAN LIMITED
ウエルズ・ジャパン株式会社