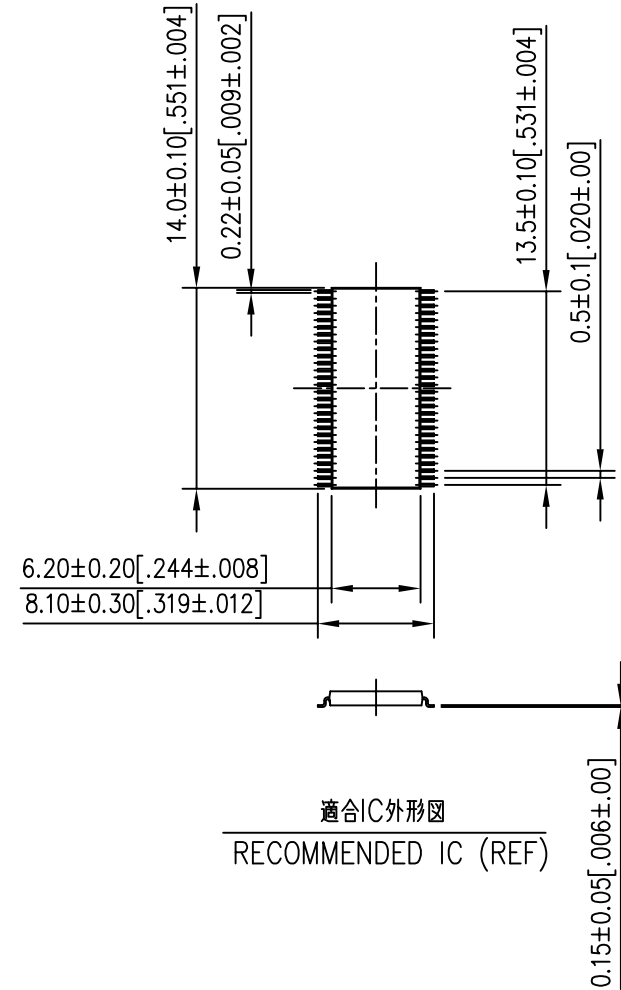
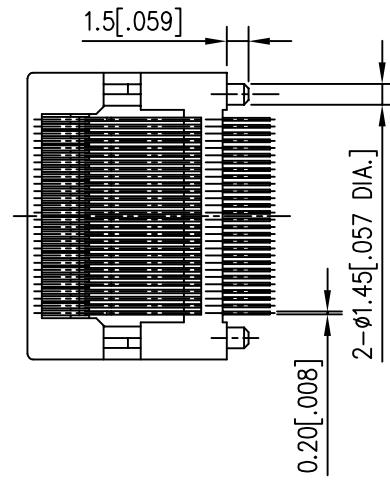
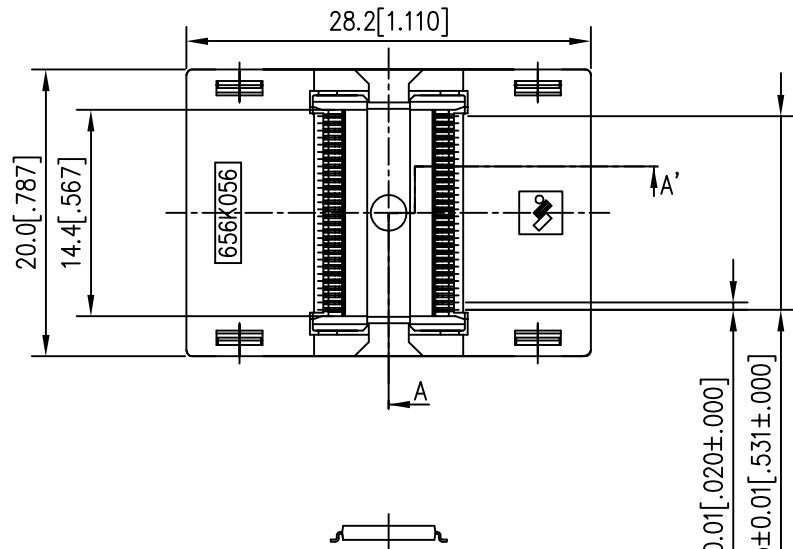
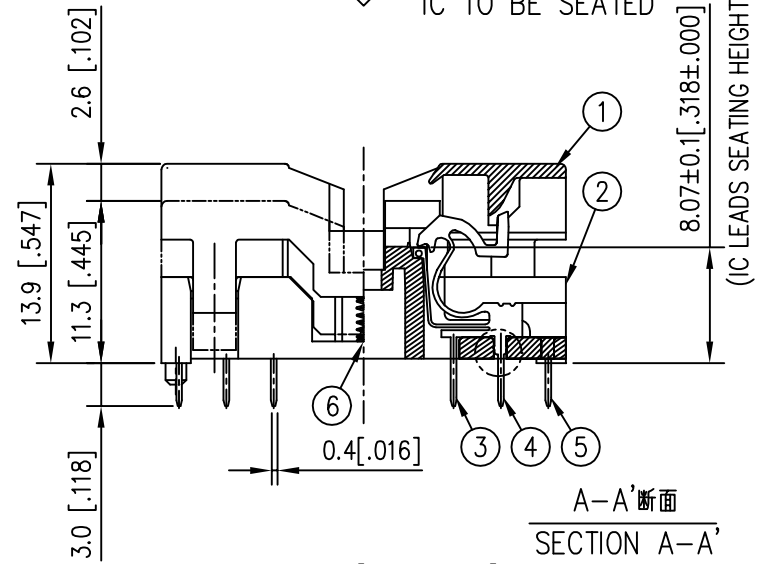


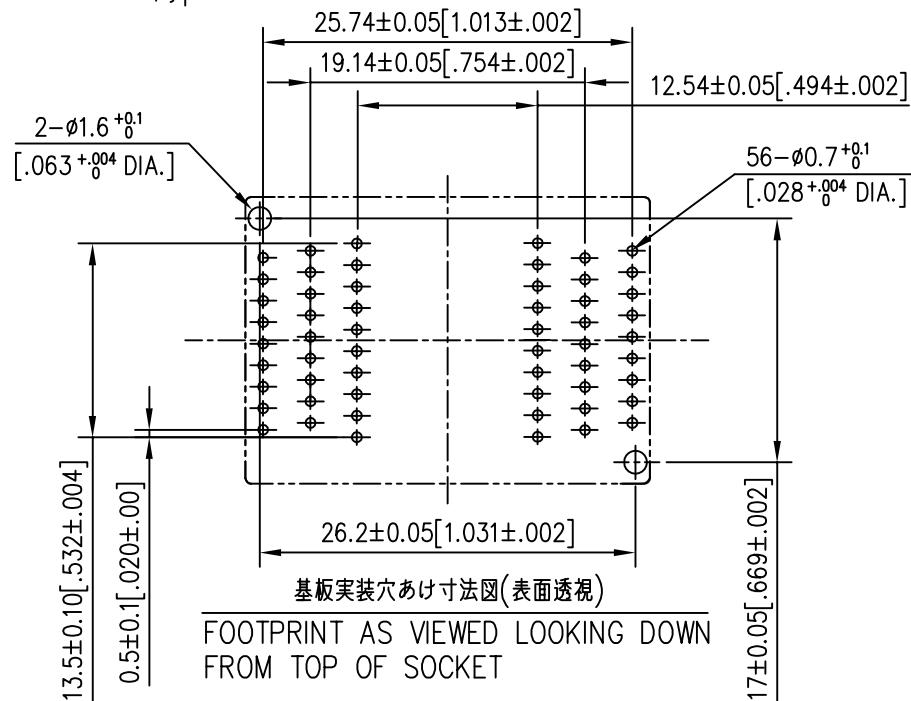
REV	DATE	ECO NO	BY
0	July 14 1998	ERN98265	K,T



IC挿入方向
IC TO BE SEATED



A-A'断面
SECTION A-A'



基板実装穴あけ寸法図(表面透視)
FOOTPRINT AS VIEWED LOOKING DOWN FROM TOP OF SOCKET

適合IC外形図
RECOMMENDED IC (REF)

Performance.

1. Insulation Resistance : 1000 MΩ min. at 500V.D.C
2. Dielectric Withstanding Voltage : 600 V.A.C (RMS)
3. Contact Resistance : 30mΩ max. at 20 mV max.
4. Temperature Range : -40°C ~ +150°C
5. Cover peration Face : 1225g
6. Durability : 10000 times
7. Contact Pressure : 35(g/pin)

⑥	SPRING	SUS	2	
⑤	CONTACT-(c)	Be Cu	18	PLATING : Au
④	CONTACT-(b)	Be Cu	18	PLATING : Au
③	CONTACT-(a)	Be Cu	20	PLATING : Au
②	BASE-56P	PES	1	COLOR : BLACK
①	COVER-56P	PES	1	COLOR : BLACK
P.NO	PART DESCRIPTION	MATERIAL	QTY	NOTE

THIS DOCUMENT CONTAINS PROPRIETARY DESIGNS, SPECIFICATIONS, DATA, INFORMATION AND TECHNICAL MATERIAL THAT ARE THE SOLE PROPERTY OF WELLS-CTI. THIS INFORMATION IS TO BE HELD AND TREATED BY ITS RECIPIENT ON A CONFIDENTIAL BASIS, AND IS NOT TO BE SHOWN OR DISCLOSED TO THIRD PART WITHOUT THE WRITTEN CONSENT OF WELLS-CTI. THIS DATA DOES NOT CONVEY MANUFACTURING RIGHTS TO ANY ITEMS SHOW.

この図面に含まれる技術情報の一部は WELLS-CTI 単独の所有権を有する。従って情報非開示の原則に基づき WELLS-CTI 社の書面による同意無しにこの図面を第三者に開示すること及び製造目的に使用することを禁ずる。

GENERAL TOLERANCES ±0.3 [±0.12]		
UNIT mm [in.]	SCALE 2X	ANGLE 3rd.
DRAWN	/	/
ENGINEER	/	/
CHECKED	/	/
APPROVED	/	/



ウエルズ・シーティアイ株式会社

PART NAME
SSOP 56P 0.5mm pitch
SOCKET

PART NUMBER
656K0562211

DWG NUMBER
656MSA005

REV
0

SHEET
1/1