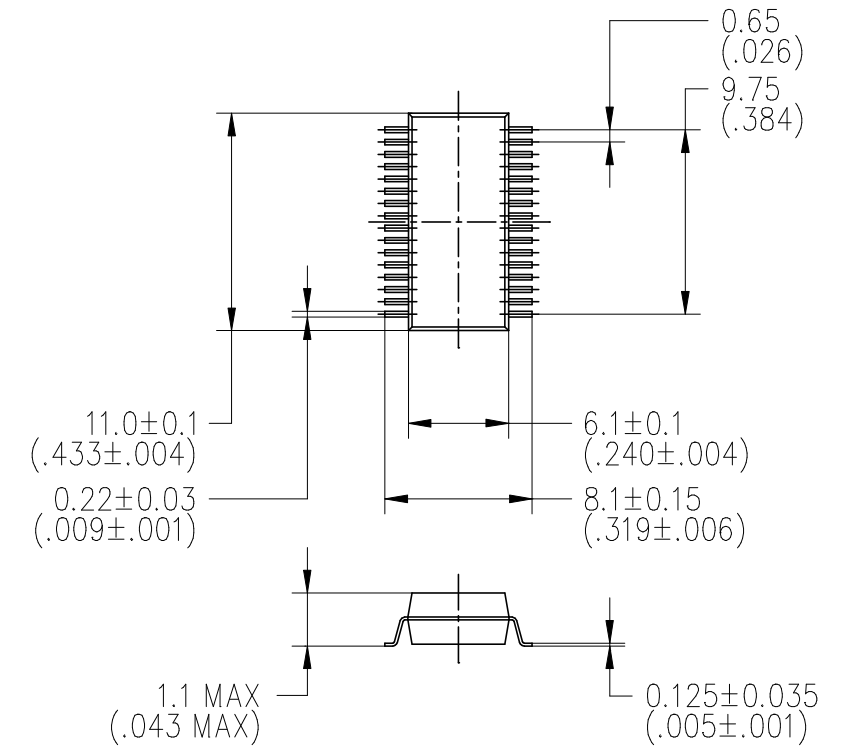
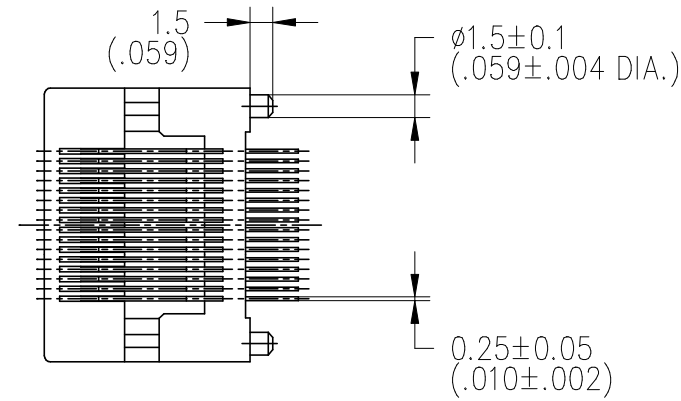
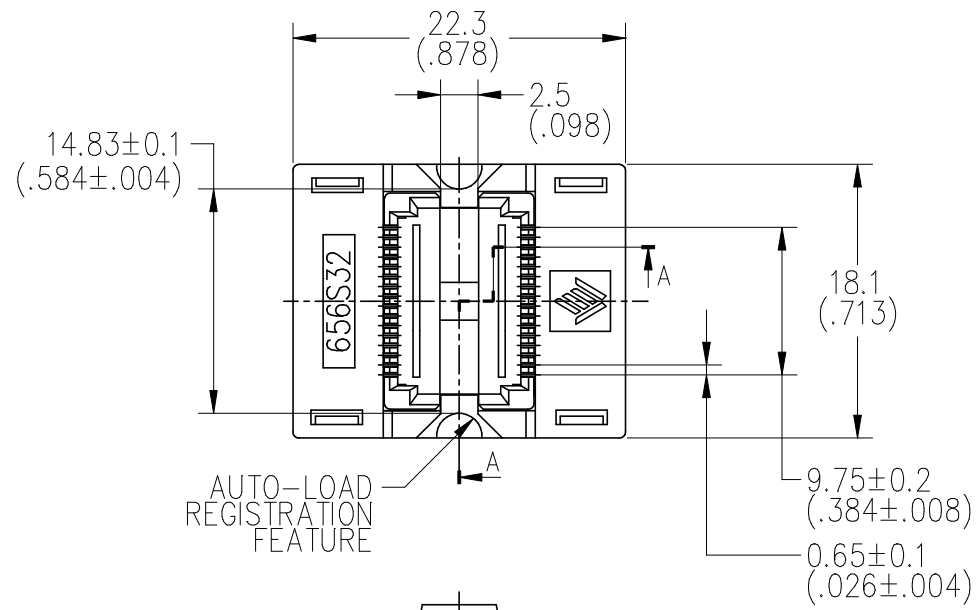


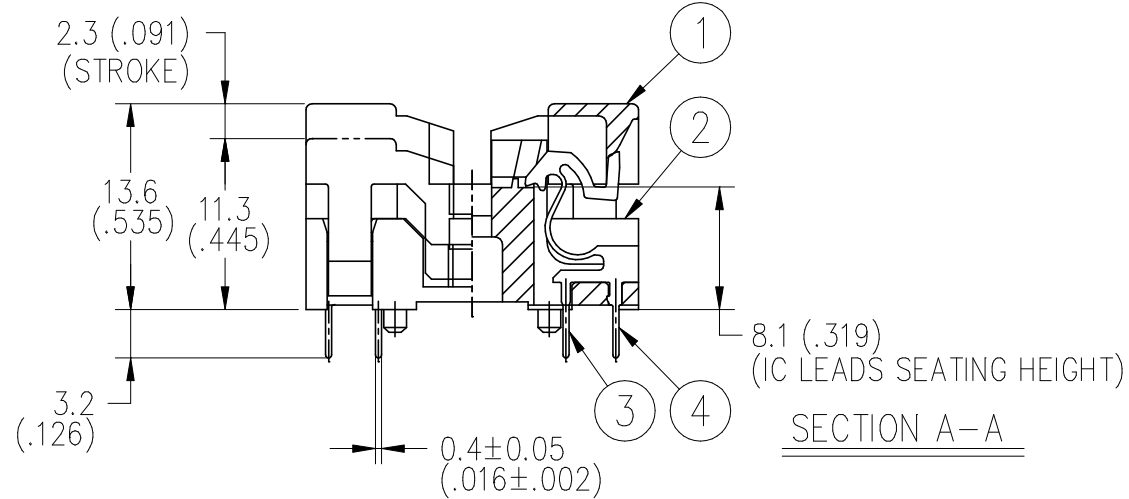
DATE	ECO NO	DESCRIPTION	BY
Oct 31 1995	CDN 95133		M,I



RECOMMENDED IC (REF)

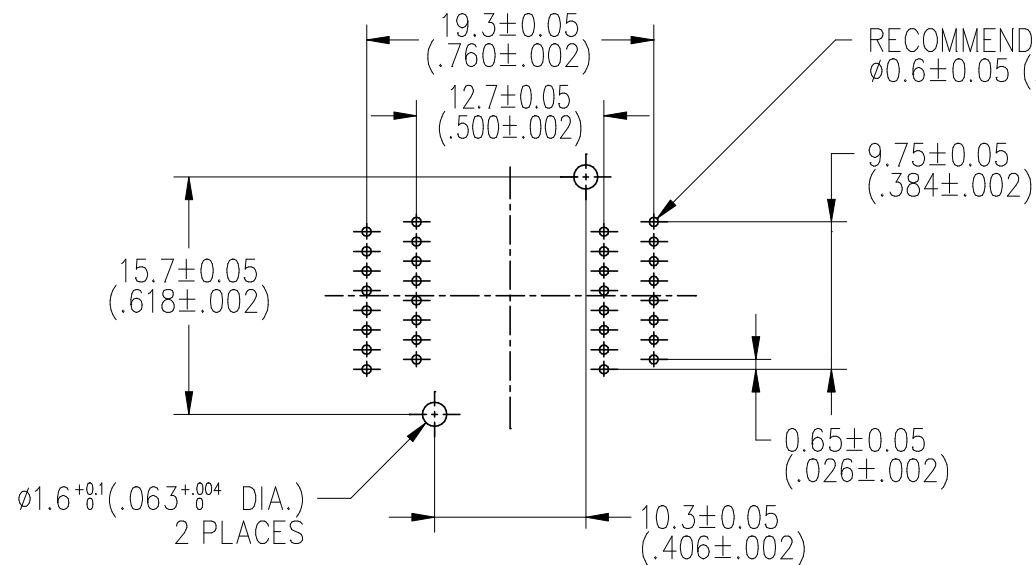
Performance.

1. Insulation Resistance : 1000 M Ω min. at 500V.D.C
2. Dielectric Withstanding Voltage : 600 V.A.C (RMS)
3. Contact Resistance : 30 m Ω max. at 20 mV max.
4. Temperature Range : -40°C ~ +150°C




SECTION A-A

RECOMMENDED HOLE SIZE
 $\phi 0.6 \pm 0.05$ (.024±.002 DIA.) TYP.



FOOTPRINT

FOOTPRINT AS VIEWED LOOKING DOWN FROM TOP OF SOCKET

④	CONTACT- (2)	Be Cu	16	PLATING : Au
③	CONTACT- (1)	Be Cu	16	PLATING : Au
②	BASE-32P	PEI	1	COLOR : BLACK
①	COVER-32P	PEI	1	COLOR : BLACK
P.NO	PART DESCRIPTION	MATERIAL	QTY	NOTE
GENERAL TOLERANCES ± 0.3 (± 0.12)				
UNIT	SCALE	ANGLE	 WELLS JAPAN LIMITED ウェルズ・ジャパン株式会社	
mm (in.)	2/1	3rd.		
DRAWN	/	/		
CHECKED	/	/		
APPROVED	/	/	TITLE TSSOP 32P SOCKET DWG NO. 656S1322211	