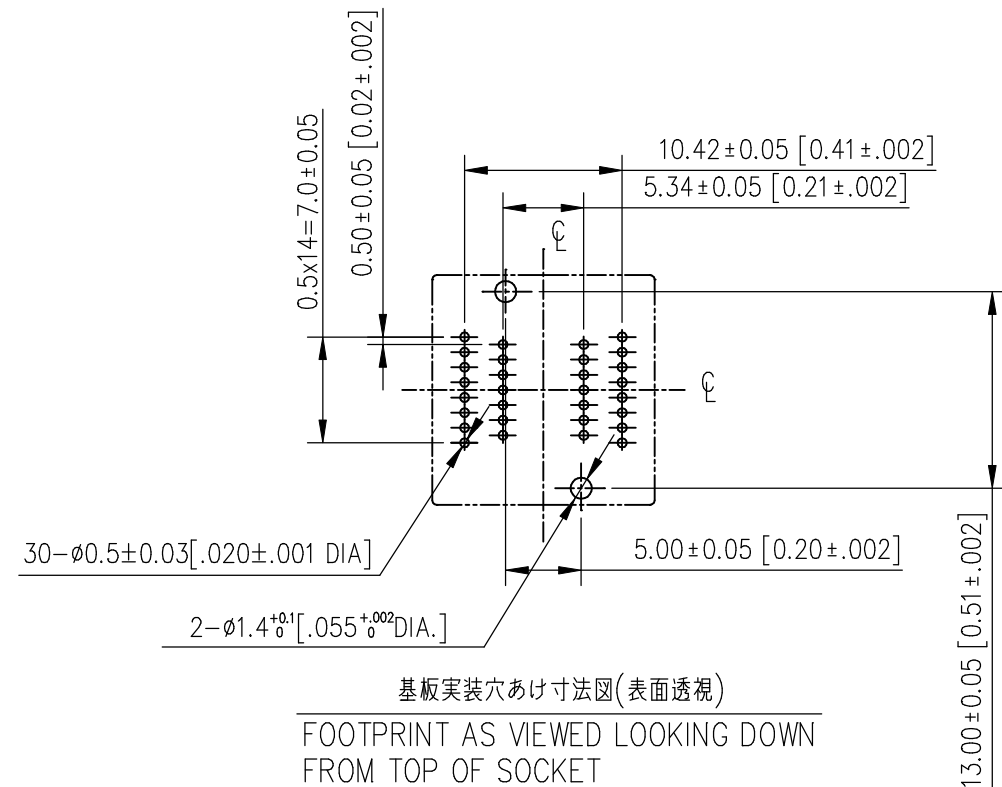
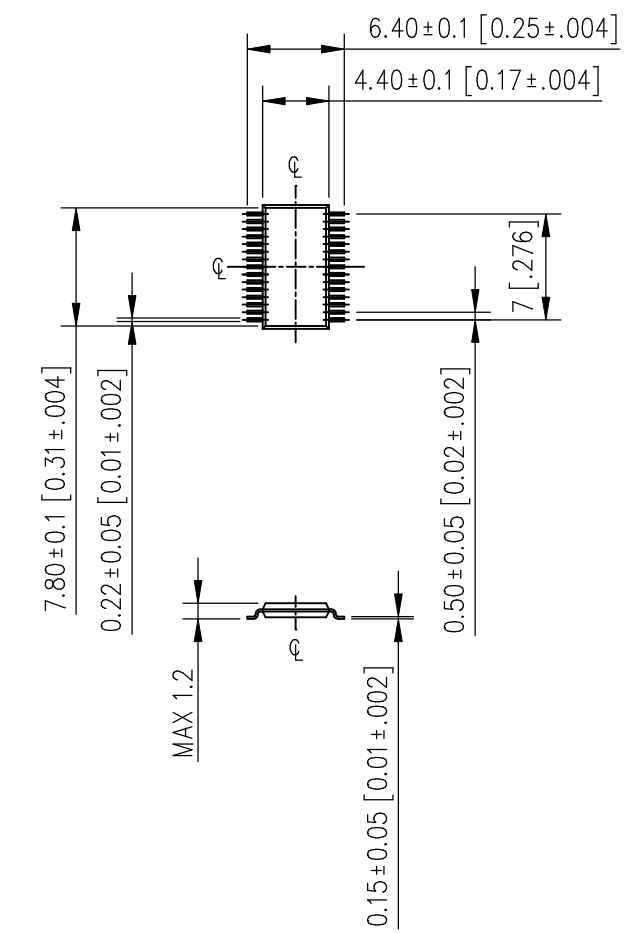
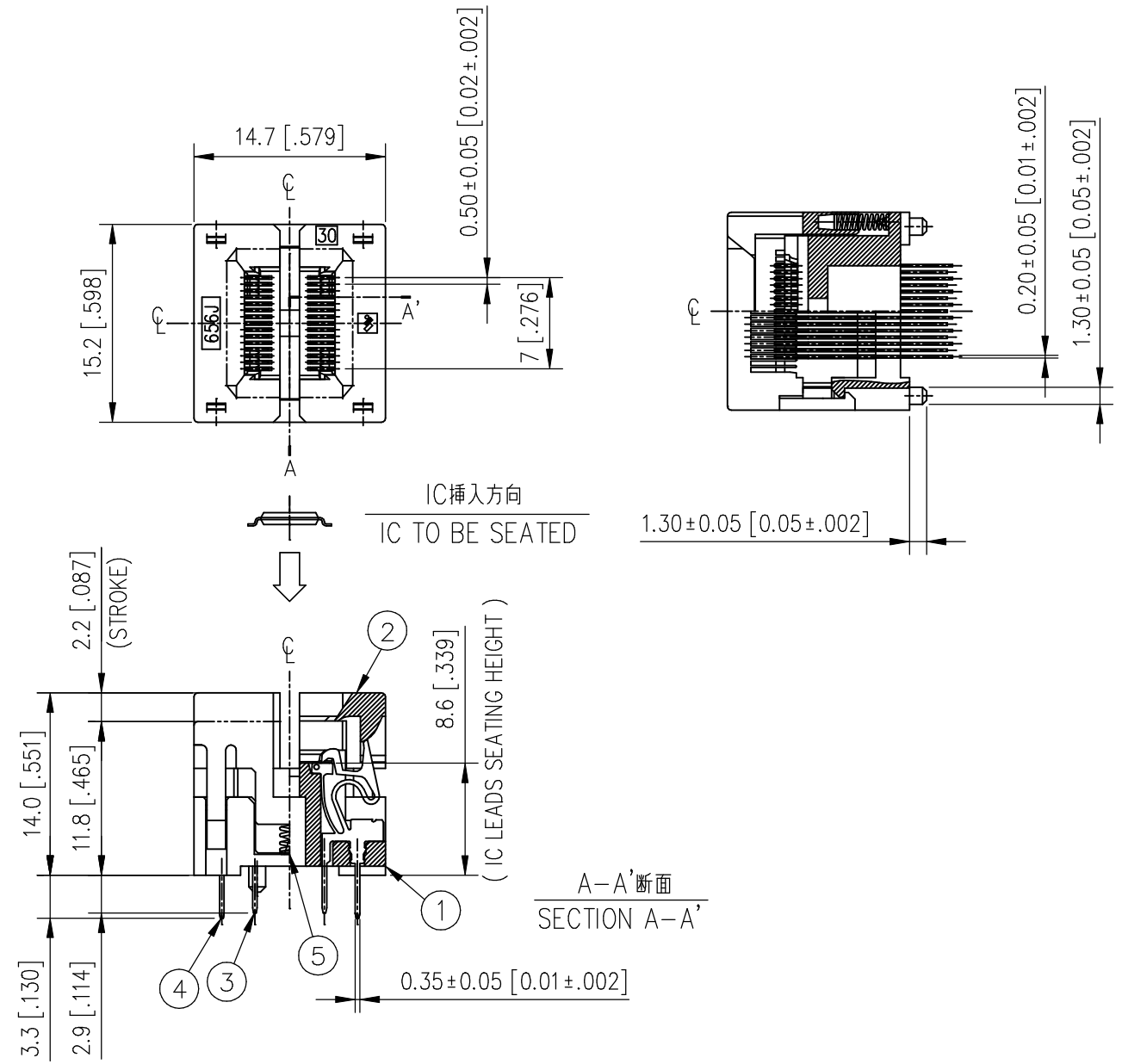


REV	DATE	ECO NO	BY
O	Dec 19 2000	ERN00138	M,I
B	Feb 27 2001		M,I
C	Mar 22 2001	DCN01034	M,I



P.NO	PART DESCRIPTION	MATERIAL	QTY	NOTE
⑤	SPRING	SUS	2	
④	CONTACT-(B)	Be Cu	16	PLATING : Au
③	CONTACT-(A)	Be Cu	14	PLATING : Au
②	COVER	PES	1	COLOR : BLACK
①	BASE	PES	1	COLOR : BLACK

THIS DOCUMENT CONTAINS PROPRIETARY DESIGNS, SPECIFICATIONS, DATA, INFORMATION AND TECHNICAL MATERIAL THAT ARE THE SOLE PROPERTY OF WELLS-CTI. THIS INFORMATION IS TO BE HELD AND TREATED BY ITS RECIPIENT ON A CONFIDENTIAL BASIS, AND IS NOT TO BE SHOWN OR DISCLOSED TO THIRD PART WITHOUT THE WRITTEN CONSENT OF WELLS-CTI. THIS DATA DOES NOT CONVEY MANUFACTURING RIGHTS TO ANY ITEMS SHOW.

この図面に含まれる技術情報の一部は WELLS-CTI 単独の所有権を有する。従って情報非開示の原則に基づき WELLS-CTI 社の書面による同意無しにこの図面を第三者に開示すること及び製造目的に使用することを禁ずる。

GENERAL TOLERANCES		
±0.3 [±.012]		
UNIT	SCALE	ANGLE
mm[in.]	2X	3rd.
DRAWN	/	/
ENGINEER	/	/
CHECKED	/	/
APPROVED	/	/

**WELLS-CTI** YOKOHAMA KANAGAWA JAPAN  
A subsidiary of PCD Inc.  
ウエルズ・シーティアイ株式会社

PART NAME: 656 TSSOP 30P SOCKET (DUAL CONTACT)

PART NUMBER: 656J0302212

DWG NUMBER: 656MSA008

REV: C

SHEET: 1/1