

## Weighing Module



### FEATURES

- High accuracy
- Easy installation
- For harsh environmental conditions
- ATEX approved for hazardous areas
- Movable load point
- Allow movement caused by thermal expansion
- No extra mounting
- High capacity 500 - 1000kN and 1500 - 2000kN

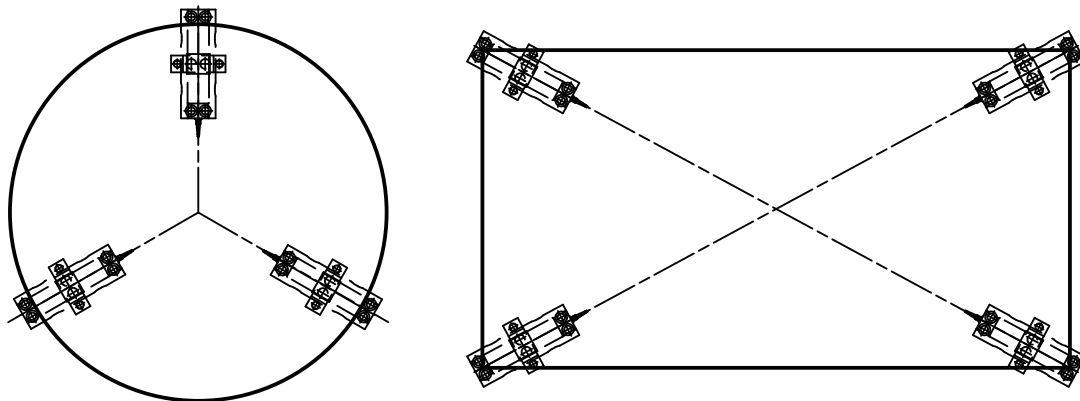
### DESCRIPTION

Load cell module for heavy duty application with moveable load point in KIS principal. This load module is designed for harsh environment with high accuracy.

### APPLICATIONS

- Tank weighing
- Vessel weighing
- Silo weighing
- Ladle weighing

### OUTLINE DIMENSIONS in mm



SPECIFICATIONS			
PARAMETER		VALUE	UNIT
Rated load (R.L.)		500, 1000, 1500, 2000	kN
Combined error (terminal)		±0.1	% of R.O.
Repeatability		0.02	% of R.O.
Overload <sup>(1)</sup>	safe	100	% of R.L.
	ultimate	200	% of R.L.
Input voltage	recommended	10	V DC or AC
	maximum	18	V DC or AC
Input resistance		350±5	Ω
Output resistance		350±0.5	Ω
Rated output (R.O.)		0.9	mV/V
Tolerance of R.O.		±0.25	% of R.O.
Zero balance		±2	% of R.O.
Tolerance of shunt calibration values		±0.25	% of value <sup>(2)</sup>
Creep at R.L. after 30min		±0.03	% of R.L.
Temperature range		-40 to +80 (+100) <sup>(3)</sup>	°C
Temperature effect (-10 to +50°C)	on output	±0.005	% of output/°C
	on zero balance	±0.005	% of R.O./°C
Insulation resistance at 200V DC		>4	GΩ
Material		Yellow chromate steel	
Electrical connection		10m shielded four conductor cable	
Degree of protection		IP67	

### Notes

<sup>(1)</sup> Referring to recommended loading case

<sup>(2)</sup> See calibration sheet of the load cell.

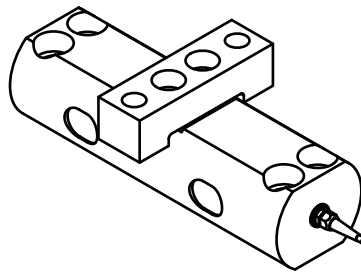
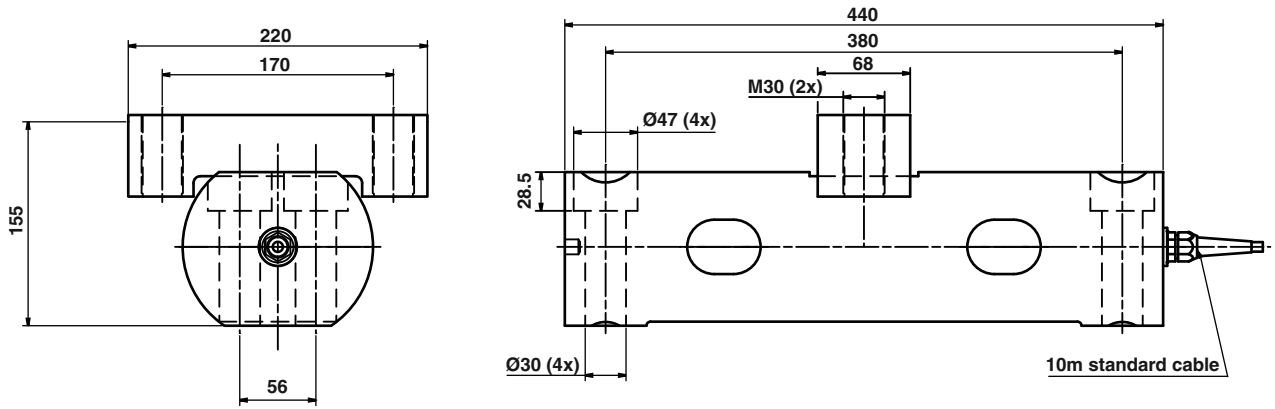
ATEX certified versions for use in explosive atmospheres are available: II 1GD.

EEx ia IIC T4 T<sub>amb</sub> = 60°C

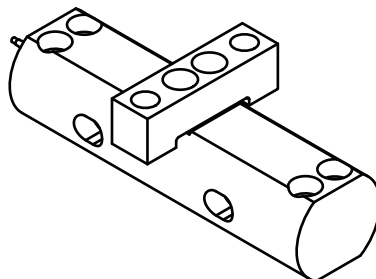
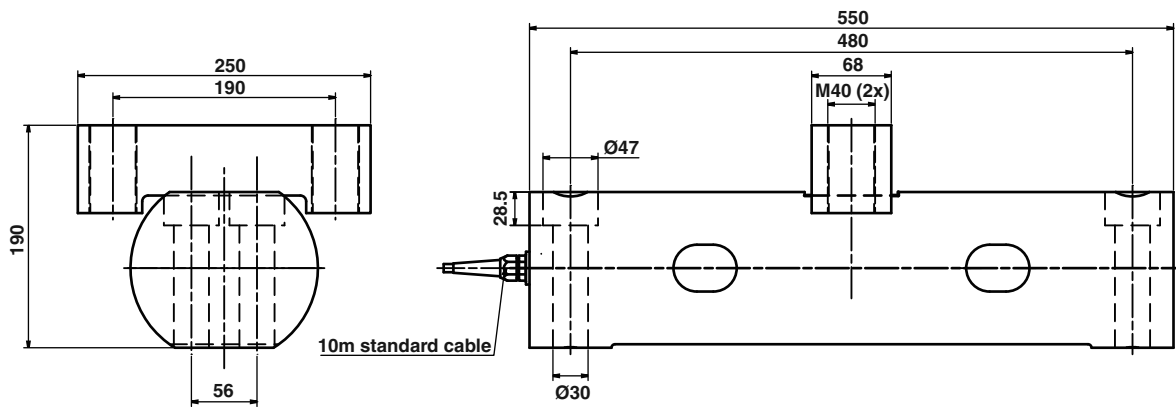
<sup>(3)</sup> -40 to +100°C on demand



**DIMENSIONS 500 - 1000kN**



**DIMENSIONS 1500 - 2000kN**



## Disclaimer

ALL PRODUCTS, PRODUCT SPECIFICATIONS AND DATA ARE SUBJECT TO CHANGE WITHOUT NOTICE.

Vishay Precision Group, Inc., its affiliates, agents, and employees, and all persons acting on its or their behalf (collectively, "Vishay Precision Group"), disclaim any and all liability for any errors, inaccuracies or incompleteness contained herein or in any other disclosure relating to any product.

The product specifications do not expand or otherwise modify Vishay Precision Group's terms and conditions of purchase, including but not limited to, the warranty expressed therein.

Vishay Precision Group makes no warranty, representation or guarantee other than as set forth in the terms and conditions of purchase. **To the maximum extent permitted by applicable law, Vishay Precision Group disclaims (i) any and all liability arising out of the application or use of any product, (ii) any and all liability, including without limitation special, consequential or incidental damages, and (iii) any and all implied warranties, including warranties of fitness for particular purpose, non-infringement and merchantability.**

Information provided in datasheets and/or specifications may vary from actual results in different applications and performance may vary over time. Statements regarding the suitability of products for certain types of applications are based on Vishay Precision Group's knowledge of typical requirements that are often placed on Vishay Precision Group products. It is the customer's responsibility to validate that a particular product with the properties described in the product specification is suitable for use in a particular application.

No license, express, implied, or otherwise, to any intellectual property rights is granted by this document, or by any conduct of Vishay Precision Group.

The products shown herein are not designed for use in life-saving or life-sustaining applications unless otherwise expressly indicated. Customers using or selling Vishay Precision Group products not expressly indicated for use in such applications do so entirely at their own risk and agree to fully indemnify Vishay Precision Group for any damages arising or resulting from such use or sale. Please contact authorized Vishay Precision Group personnel to obtain written terms and conditions regarding products designed for such applications.

Product names and markings noted herein may be trademarks of their respective owners.