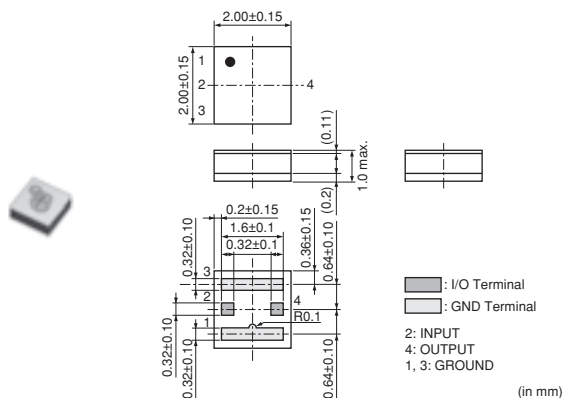


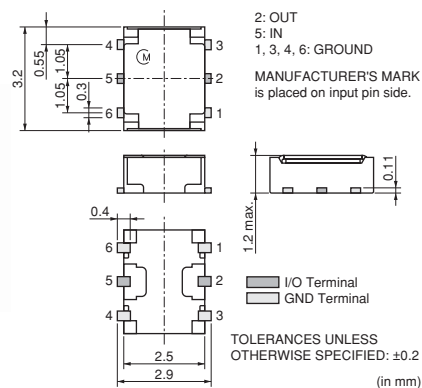
# Isolators



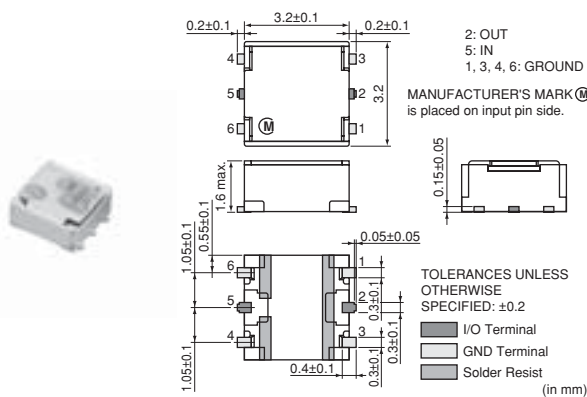
## ●CEG23 Series



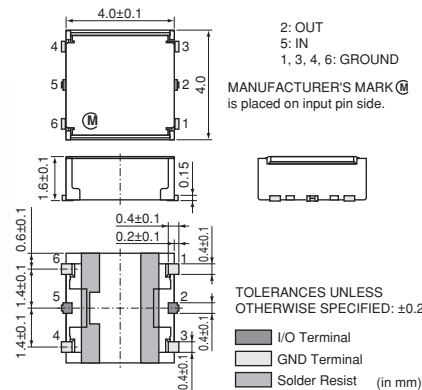
## ●CES20 Series



## ●CES30 Series




## ●CES40 Series



Part Number	Fo (MHz)	IL at BW (max.) (dB)	Isolation (min.) (dB)	Rating Power (max.) (W)
CEG231G44CCB101	1445.4	0.68	10	1.2
CEG231G73DCB100	1732.5	0.65	10	1.2
CEG231G76CCB100	1767.4	0.65	10	1.2
CEG231G88DCB100	1880	0.65	10	1.2
CEG231G88DCB101	1882.5	0.65	10	1.2
CEG231G95DCB100	1950	0.65	10	1.2
CEG231G95ECB100	1952.5	0.8	6	1.2
CEG232G01BCB100	2017.5	0.69	10	1.2
CEG23707MCCB000	707	0.76	9.5	1.2
CEG23787MDCB000	787	0.65	10	1.2
CEG23832MDCB000	832	0.65	9.4	1.2
CEG23836MDCB000	836.5	0.65	10	1.2
CEG23897MDCB000	897.5	0.68	9	1.2
CEG23911MDCB000	911.5	0.65	10	1.2
CES201G90CCB000	1900	0.6	13.5	2.5
CES202G35DCB000	2350	0.77	8.5	2.5
CES202G45DCB000	2450	0.77	9	2.5
CES202G53DCB000	2535	0.67	10.5	2.5
CES202G59CCB000	2595	0.7	8	2.5
CES202G59ECB000	2592.5	0.9	6	2.5
CES301G74DCB000	1747.5	0.74	10.5	2.5
CES301G76CCB000	1765	0.7	12	2.5
CES301G84DCB000	1842.5	0.68	11	2.5
CES301G88DCB000	1880	0.64	13	2.5
CES301G90CCB000	1900	0.62	14.5	2.5

Continued on the following page. ↗

 Continued from the preceding page.

Part Number	Fo (MHz)	IL at BW (max.) (dB)	Isolation (min.) (dB)	Rating Power (max.) (W)
<b>CES301G95DCB000</b>	1950	0.6	13	2.5
<b>CES301G95ECB000</b>	1952.5	0.82	9	2.5
<b>CES301G96DCB000</b>	1960	0.6	13	2.5
<b>CES302G14DCB000</b>	2140	0.62	13	2.5
<b>CES40836MDCB000</b>	836.5	0.75	10.5	2.5
<b>CES40881MDCB000</b>	881.5	0.73	10	2.5
<b>CES40897MDCB000</b>	897.5	0.75	10	2.5
<b>CES40906MDCB000</b>	906	0.78	10	2.5
<b>CES40942MDCB000</b>	942.5	0.85	10	2.5