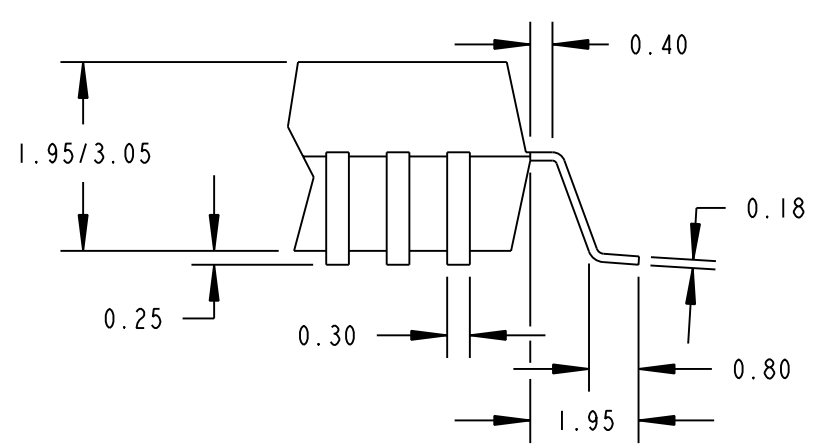
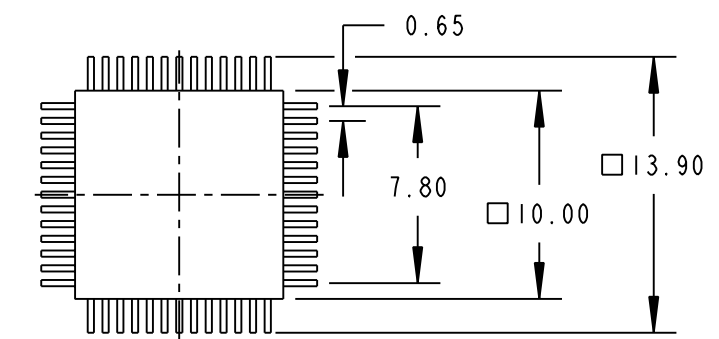
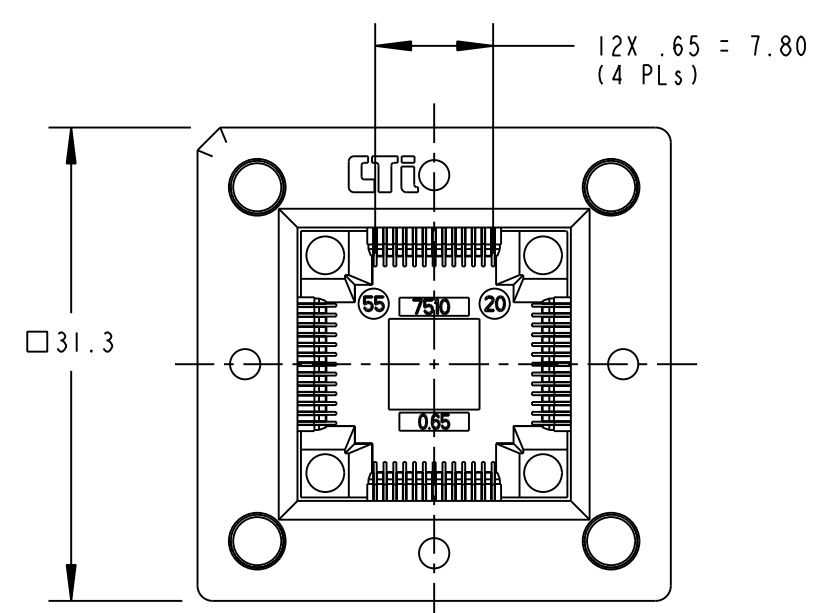
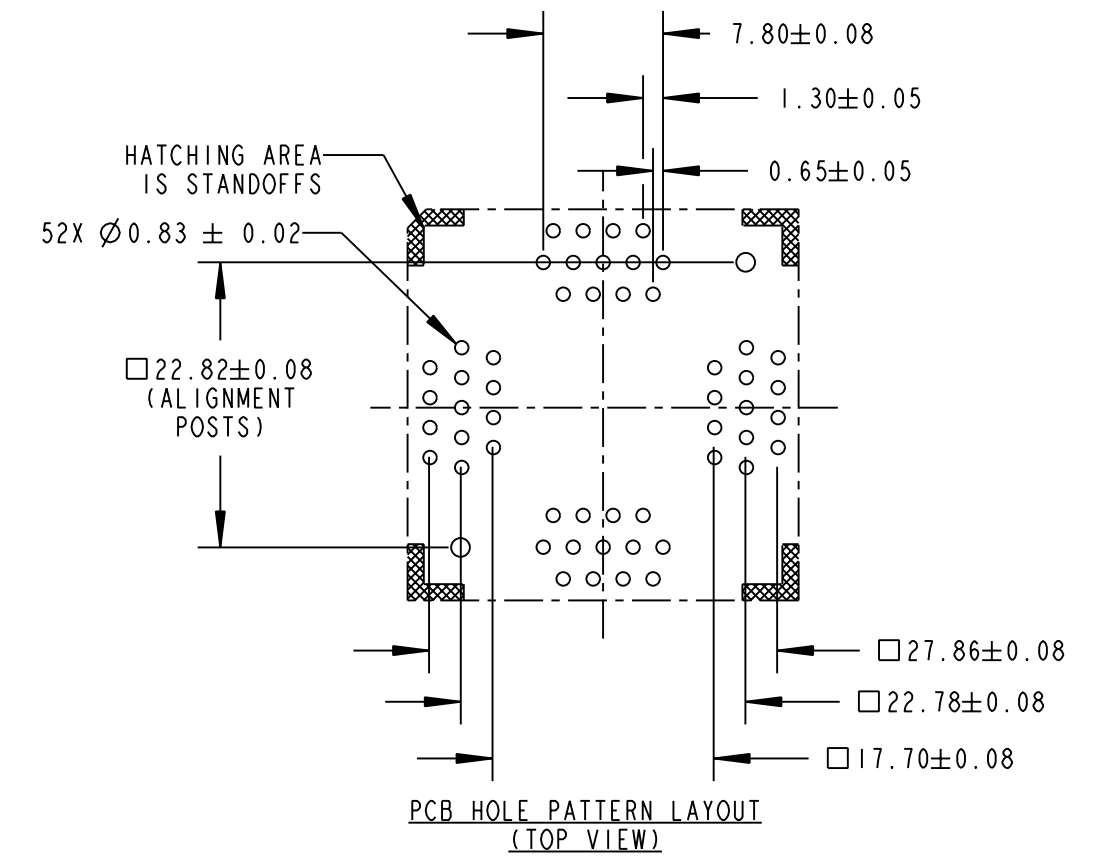
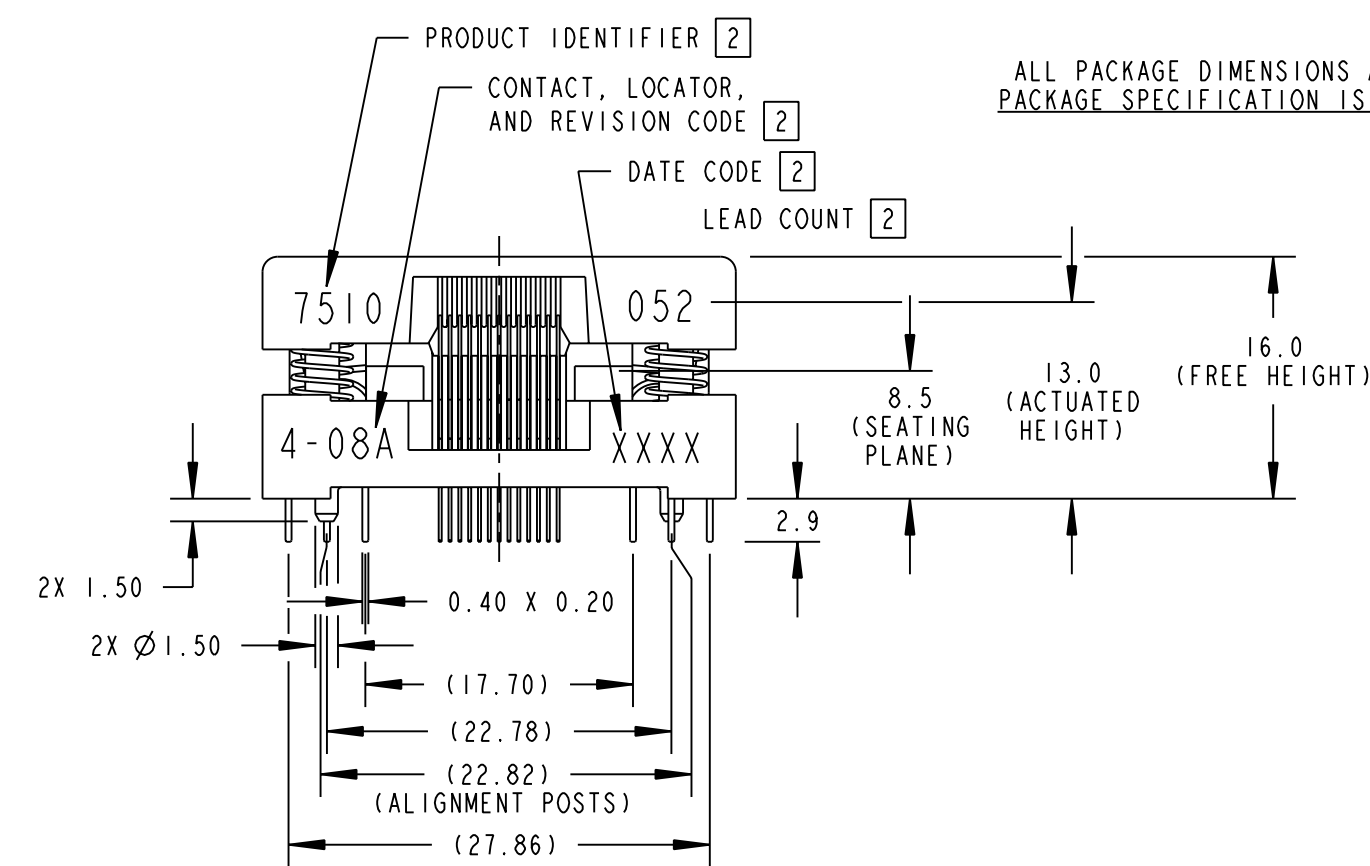


REV	ECO	DESCRIPTION	DATE	BY
A	3964	INITIAL RELEASE	2/23/01	PH



ALL PACKAGE DIMENSIONS ARE FOR REFERENCE ONLY
PACKAGE SPECIFICATION IS JEDEC MO-112 (AC & AD)



- NOTES:
- MATERIAL AND FINISH:
SOCKET LID - POLYETHERIMIDE
SOCKET BASE - POLYETHERIMIDE
CONTACTS - PFINODAL, SELECTIVE, Au-SnPb OVER Ni PLATING
SPRINGS - STAINLESS STEEL, PASSIVATED
 - MARKING: 2.0 HIGH, COLOR - WHITE
 - REFER TO SK-0283 FOR CONTACT SEATING HEIGHTS.
 - REFER TO SK-0319 FOR NAIL/RIVET PRESS HEIGHTS.

LEGEND		MATERIAL/FINISH	ENGINEER	DATE	WELLS-CTI <small>Phoenix Arizona USA</small> A subsidiary of PCD Inc.	
◇	CRITICAL		CHECKED	DATE		QFP SOCKET ASSEMBLY (10mm, 521d)
0	NUMBER OF ◇ USED		APPROVED	DATE		
SIZE	PROJECTION	PROJECT/SERIES			PART NUMBER	REV
B					7510-052-4-08	A
					SCALE 2.0:1	UNITS: mm [in]
					CAD NUMBER	SHEET 1 OF 1
		DO NOT SCALE				