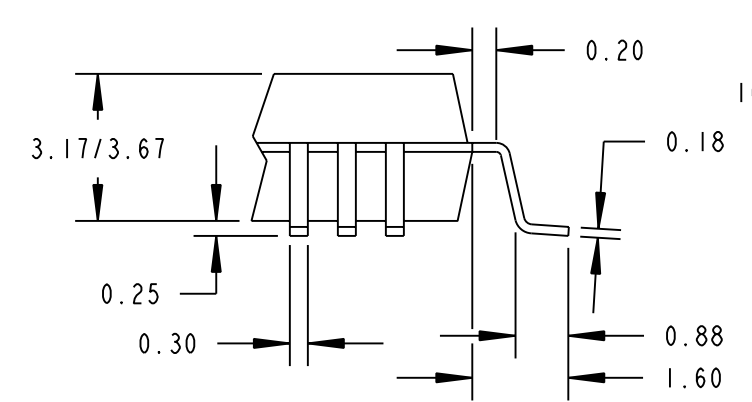
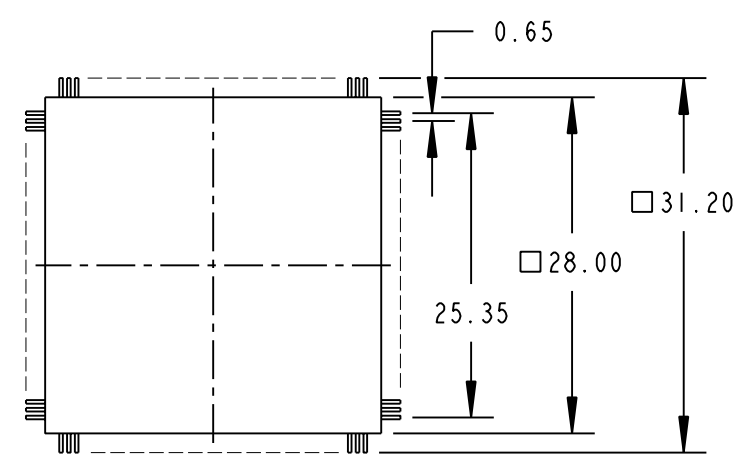
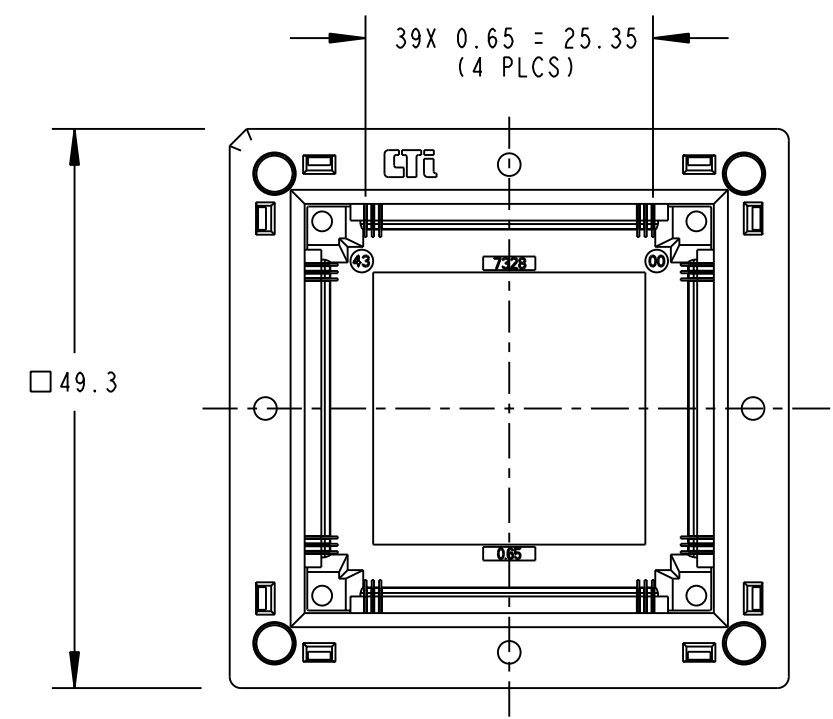
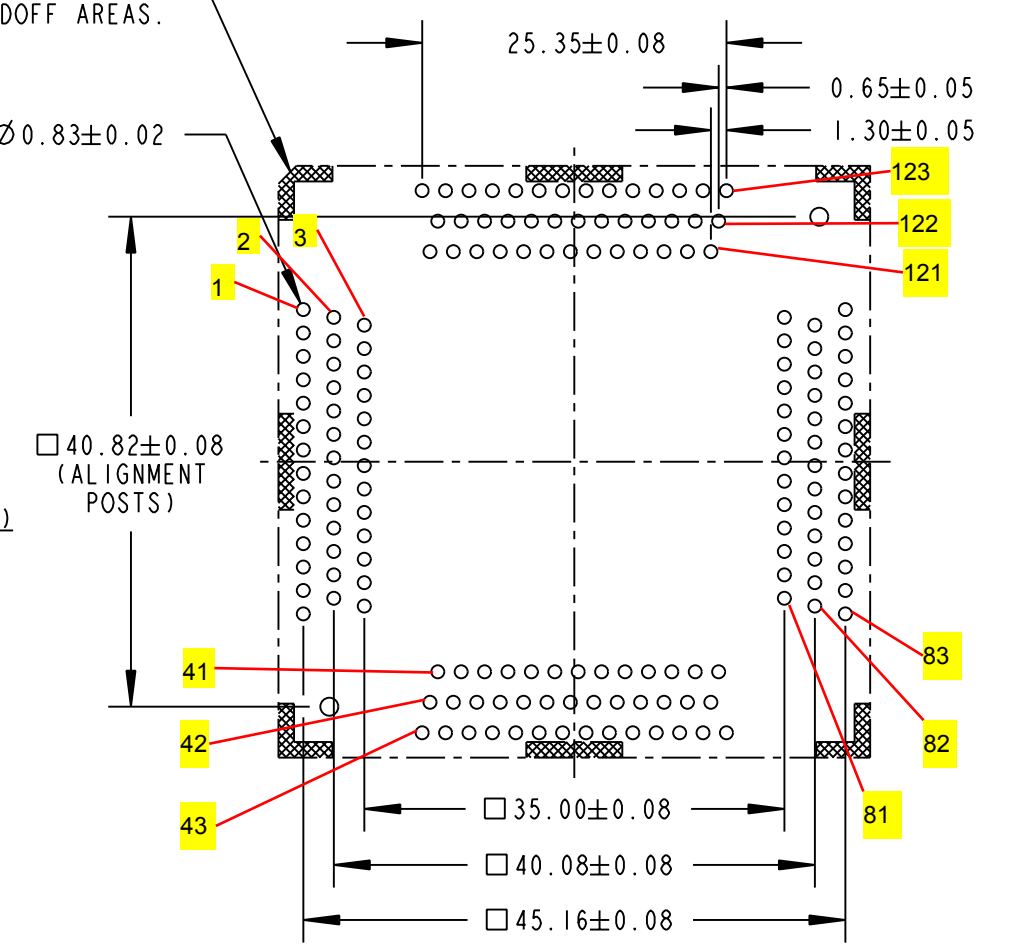


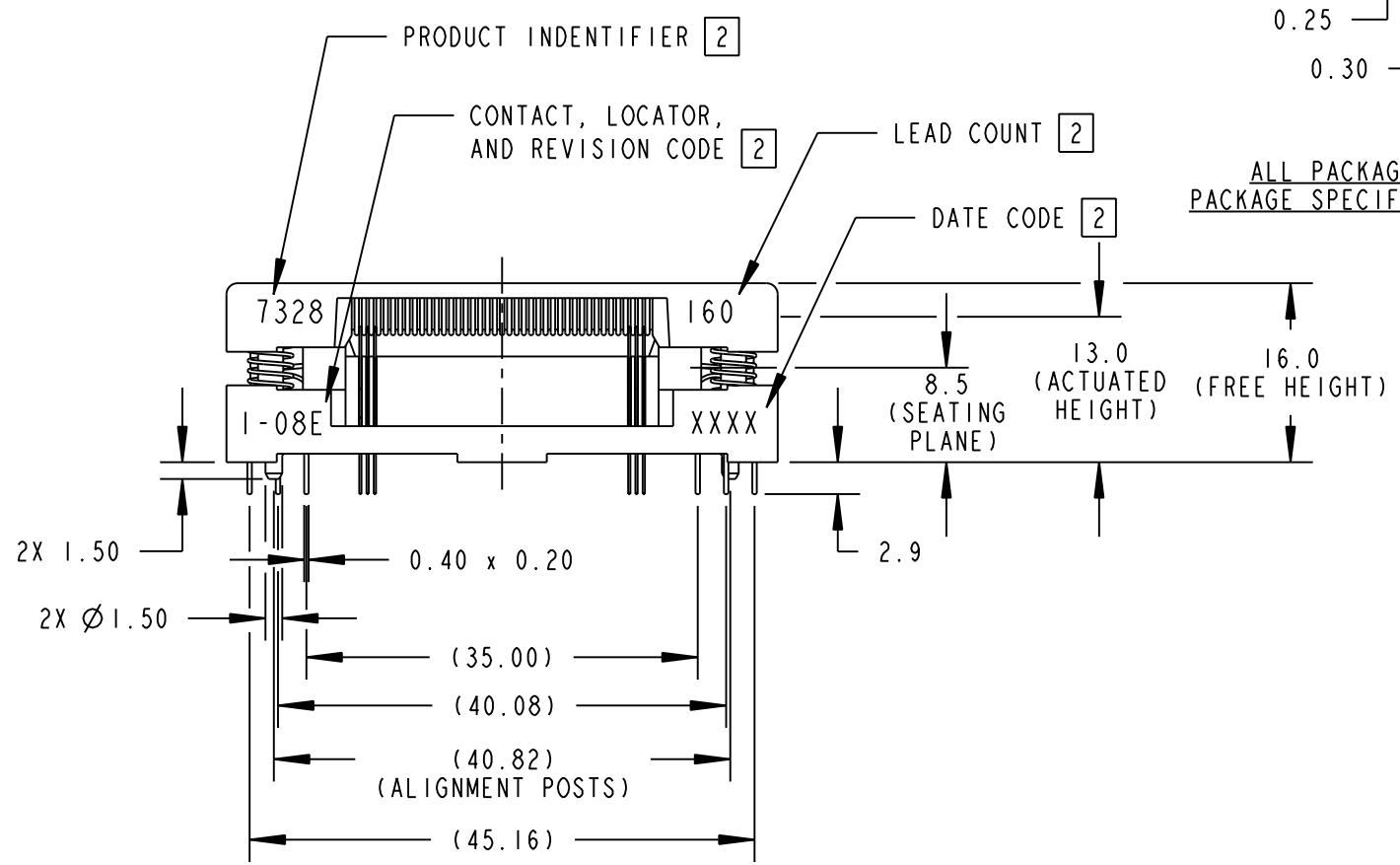
REV	ECO	DESCRIPTION	DATE	BY
D	3205	UPDATED.	7/28/98	SC
E	3880	CHANGED BASE MATERIAL.	10/12/00	PH



HATCHING INDICATES STANDOFF AREAS.



PCB HOLE PATTERN LAYOUT (TOP VIEW)



ALL PACKAGE DIMENSIONS ARE FOR REFERENCE ONLY  
PACKAGE SPECIFICATION IS JEDEC MO-108 (DD-1 AND DD-2)

- NOTES:
- MATERIAL AND FINISH:  
SOCKET LID - POLYETHERIMIDE.  
SOCKET BASE - POLYETHERIMIDE.  
CONTACTS - BeCu, SELECTIVE Au-SnPb/Ni PLATING.  
SPRINGS - STAINLESS STEEL, PASSIVATED.
  - MARKING: 2.0 HIGH, COLOR - WHITE.
  - REFER TO SK-0283 FOR CONTACT SEATING HEIGHTS.
  - REFER TO SK-0319 FOR NAIL/RIVET PRESS HEIGHTS.

LEGEND		MATERIAL/FINISH	ENGINEER	DATE	<b>WELLS-CTI</b> Phoenix Arizona USA A subsidiary of PCD Inc.	
◇	CRITICAL		CHECKED	DATE		<b>QFP SOCKET ASSEMBLY</b> (28mm, 160ld)
0	NUMBER OF ◇ USED		APPROVED	DATE		
SIZE	PROJECTION	PROJECT/SERIES			PART NUMBER	REV
B					7328-160-1-08	E
DO NOT SCALE					SCALE 1.5:1	UNITS: mm [in]
					CAD NUMBER	SHEET 1 OF 1