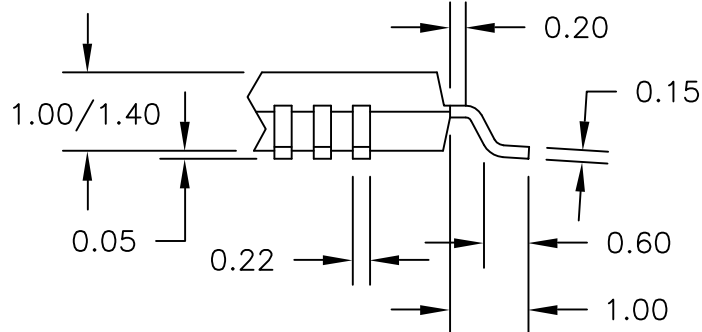
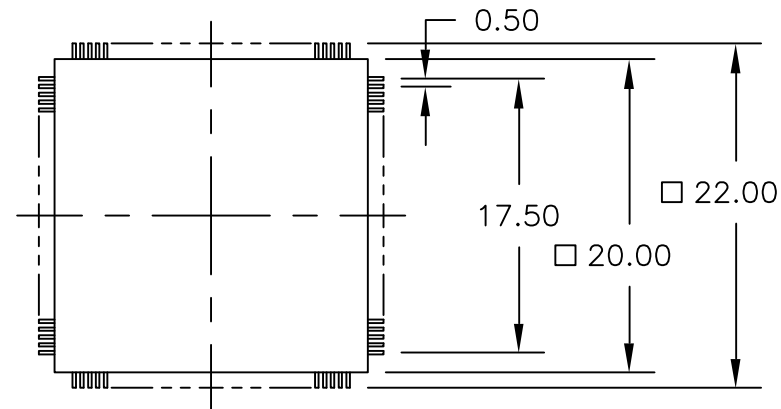
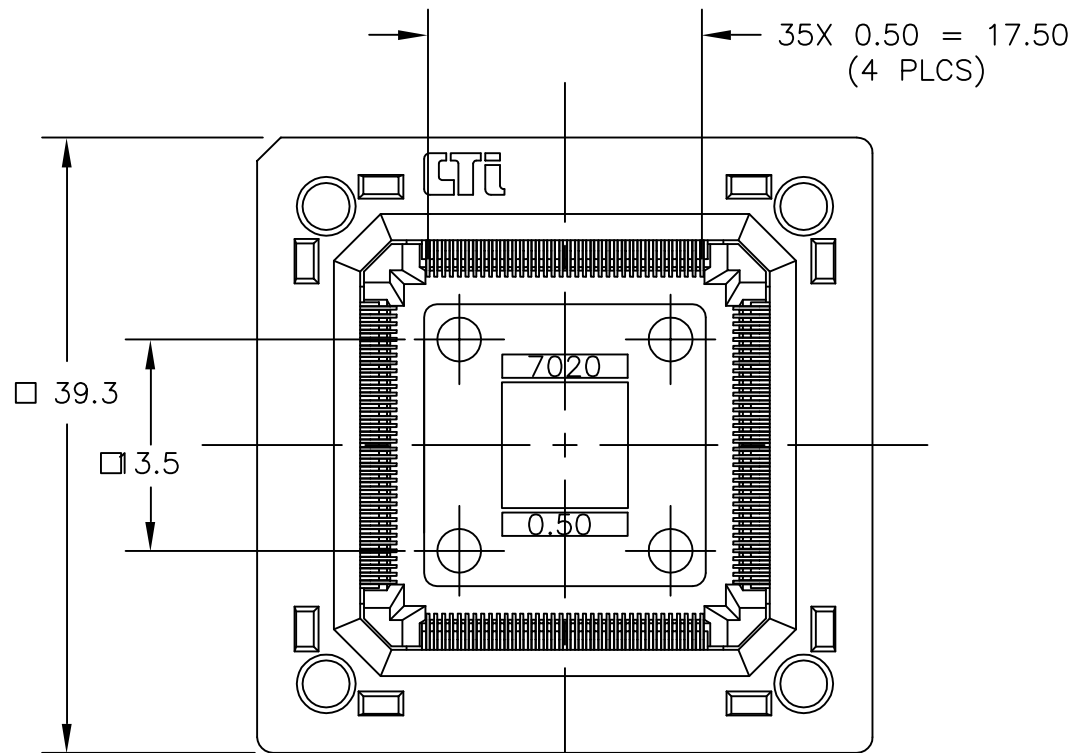
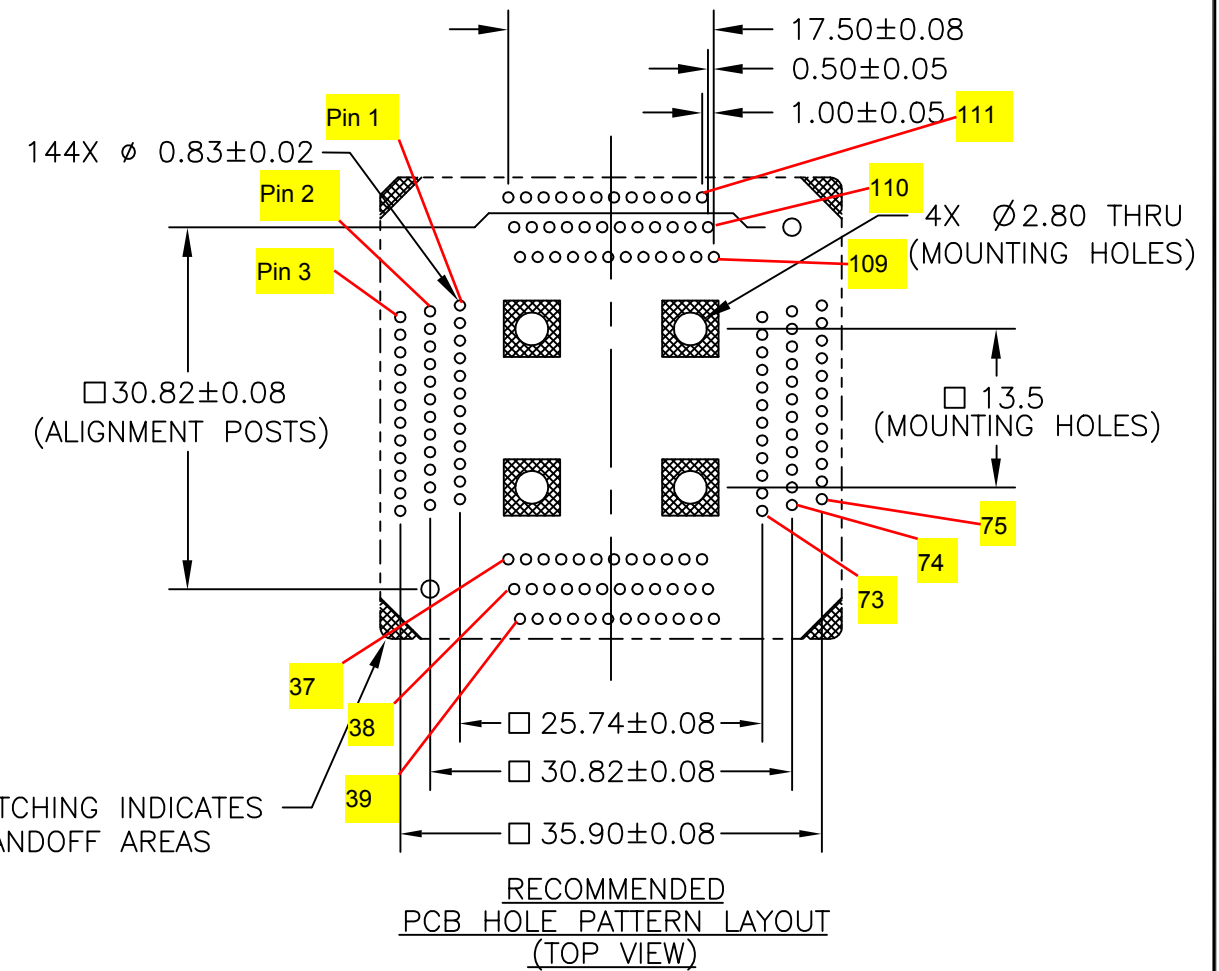
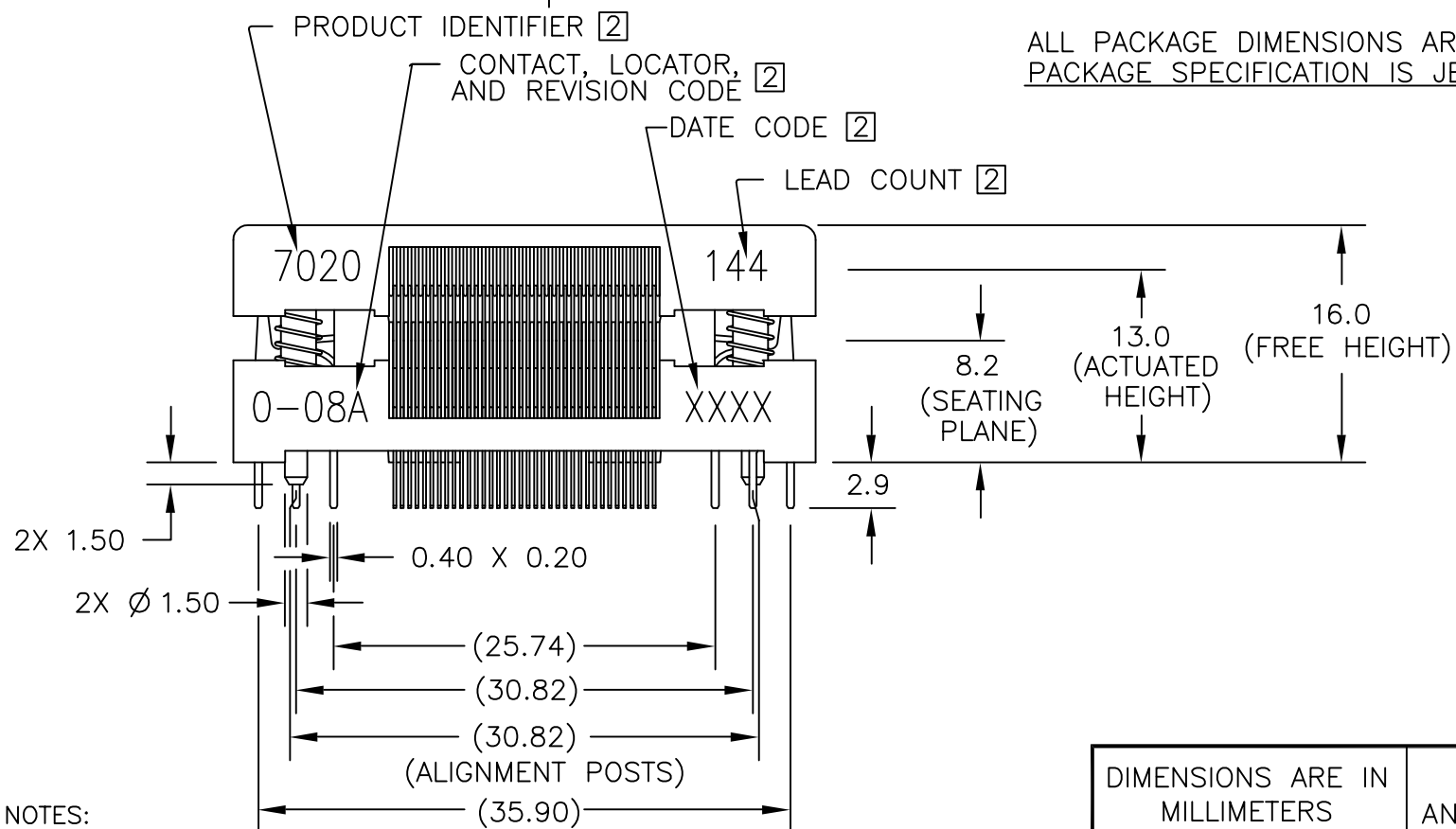


REV	ECO	DESCRIPTION	DATE	APPD
A	3871	INITIAL RELEASE	9/22/00	ZP



ALL PACKAGE DIMENSIONS ARE FOR REFERENCE ONLY
PACKAGE SPECIFICATION IS JEDEC MO-026 (AT & BT)



- NOTES:
- MATERIAL & FINISH:
SOCKET LID - POLYETHERIMIDE OR EQUIVALENT.
SOCKET BASE - POLYETHERIMIDE OR EQUIVALENT.
CONTACTS - BeCu, Au OVER Ni PLATING.
SPRINGS & SNAPS - STAINLESS STEEL, PASSIVATED.
 - MARKING: 2.0 HIGH, COLOR - WHITE.
 - REFER TO SK-0283 FOR CONTACT SEATING HEIGHTS.
 - REFER TO SK-0319 FOR NAIL/RIVET PRESS HEIGHTS.

DIMENSIONS ARE IN MILLIMETERS INTERPRET PER ANSI Y14.5M-1982	TOLERANCES ANGLES $\pm 1^\circ$ X.X = ± 0.3 X.XX = ± 0.12	SPEC JEDEC MO-026	 A SUBSIDIARY OF	TQFP SOCKET ASSEMBLY 20MM, 144LD	
		DRWN		SIZE B	DWG NO. 7020-144-0-08
THIS DOCUMENT CONTAINS PROPRIETARY INFORMATION WHICH IS THE CONFIDENTIAL PROPERTY OF: CTi TECHNOLOGIES, INC. PHOENIX, AZ 85027		ENGR	PROJECTION 	SCALE: 1 : 1	SHEET 1 OF 1
		APPD			