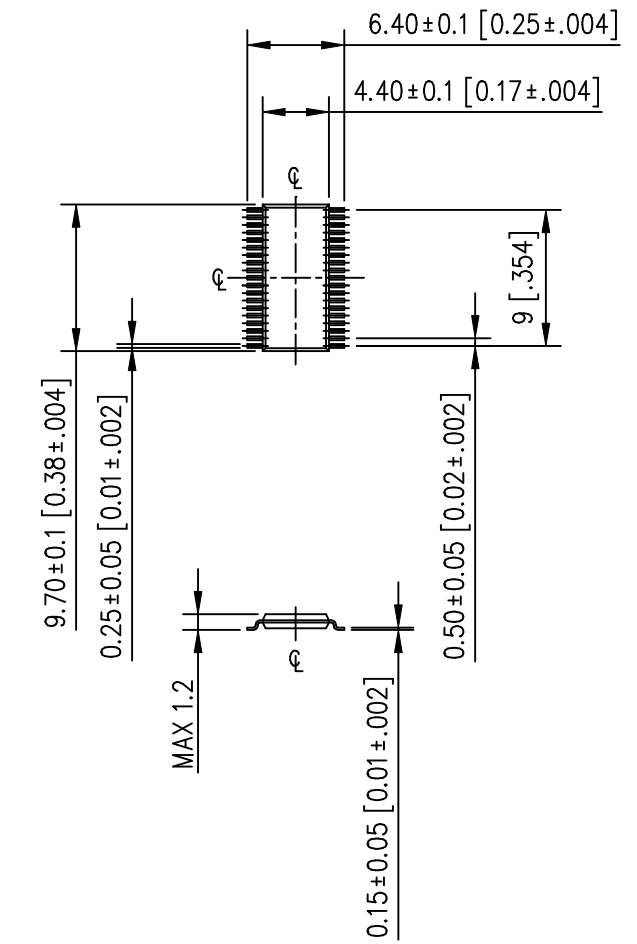
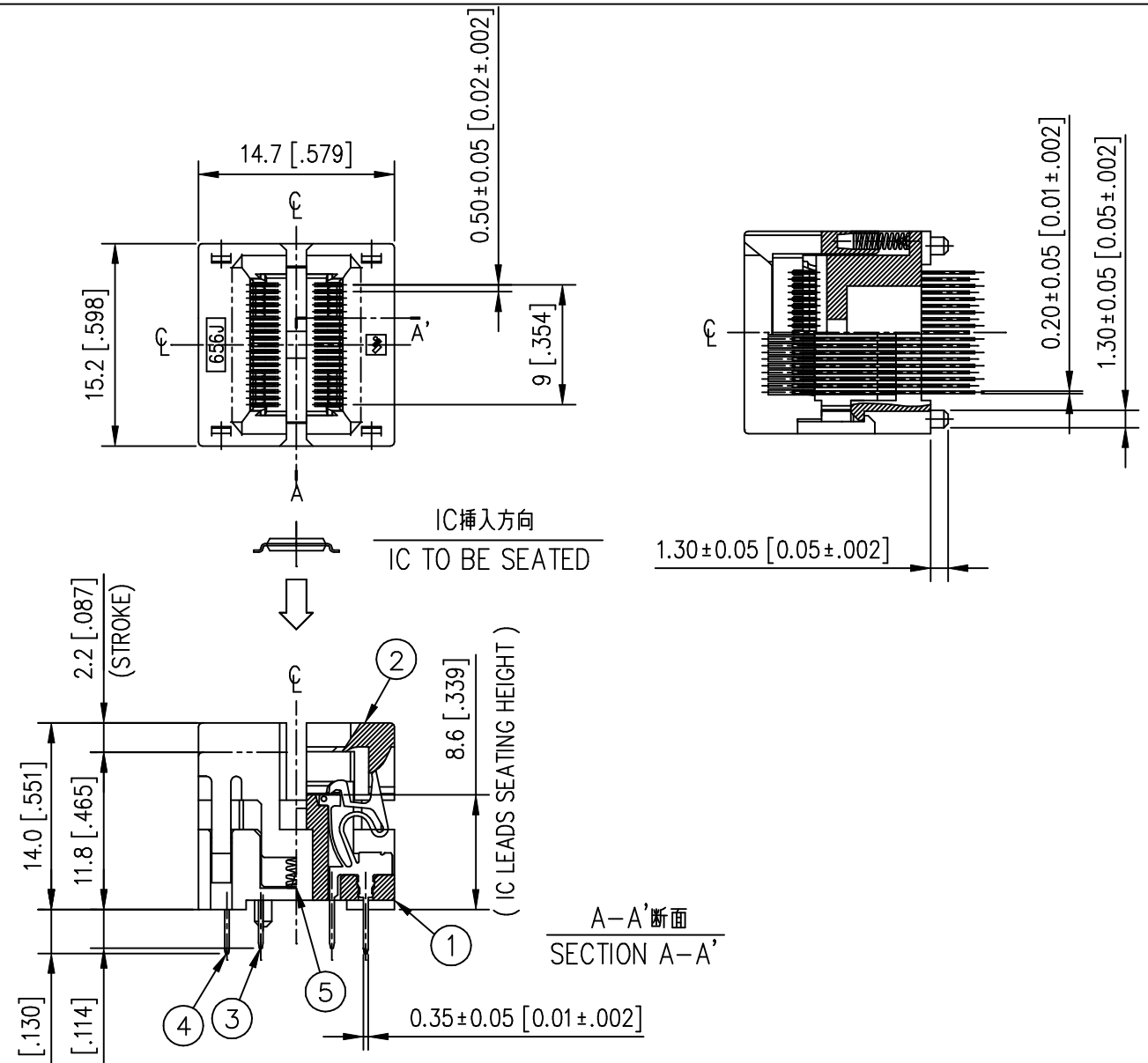
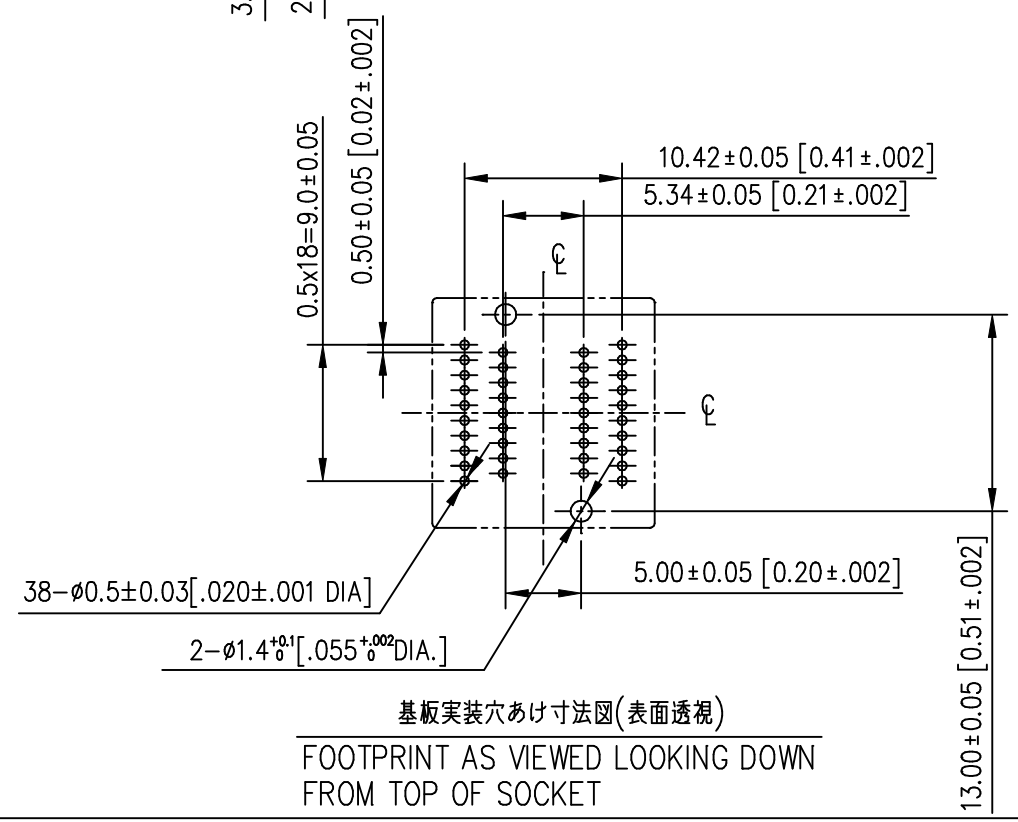


REV	DATE	ECO NO	BY
0	Feb 13 2001	ERN01031	M,I
A	Feb 28 2001		M,I
B	Mar 22 2001	DCN01034	M,I



適合IC外形図(参考)  
RECOMMENDED IC (REF.)



P.NO	PART DESCRIPTION	MATERIAL	QTY	NOTE
⑤	SPRING	SUS	2	
④	CONTACT-(B)	Be Cu	20	PLATING : Au
③	CONTACT-(A)	Be Cu	18	PLATING : Au
②	COVER	PES	1	COLOR : BLACK
①	BASE	PES	1	COLOR : BLACK

THIS DOCUMENT CONTAINS PROPRIETARY DESIGNS, SPECIFICATIONS, DATA, INFORMATION AND TECHNICAL MATERIAL THAT ARE THE SOLE PROPERTY OF WELLS-CTI. THIS INFORMATION IS TO BE HELD AND TREATED BY ITS RECIPIENT ON A CONFIDENTIAL BASIS, AND IS NOT TO BE SHOWN OR DISCLOSED TO THIRD PART WITHOUT THE WRITTEN CONSENT OF WELLS-CTI. THIS DATA DOES NOT CONVEY MANUFACTURING RIGHTS TO ANY ITEMS SHOW.

この図面に含まれる技術情報の一部は WELLS-CTI 単独の所有権を有する。従って情報非開示の原則に基づき WELLS-CTI 社の書面による同意無しにこの図面を第三者に開示すること及び製造目的に使用することを禁ずる。

GENERAL TOLERANCES		
±0.3 [±.012]		
UNIT	SCALE	ANGLE
mm[in.]	2X	3rd.
DRAWN	/	/
ENGINEER	/	/
CHECKED	/	/
APPROVED	/	/

**WELLS-CTI**  
A subsidiary of PCD Inc.  
YOKOHAMA KANAGAWA JAPAN

ウエルズ・シーティアイ株式会社

PART NAME  
656 TSSOP 38P SOCKET  
(DUAL CONTACT)

PART NUMBER  
656J0382212

DWG NUMBER  
656MSA009

REV  
B

SHEET  
1/1