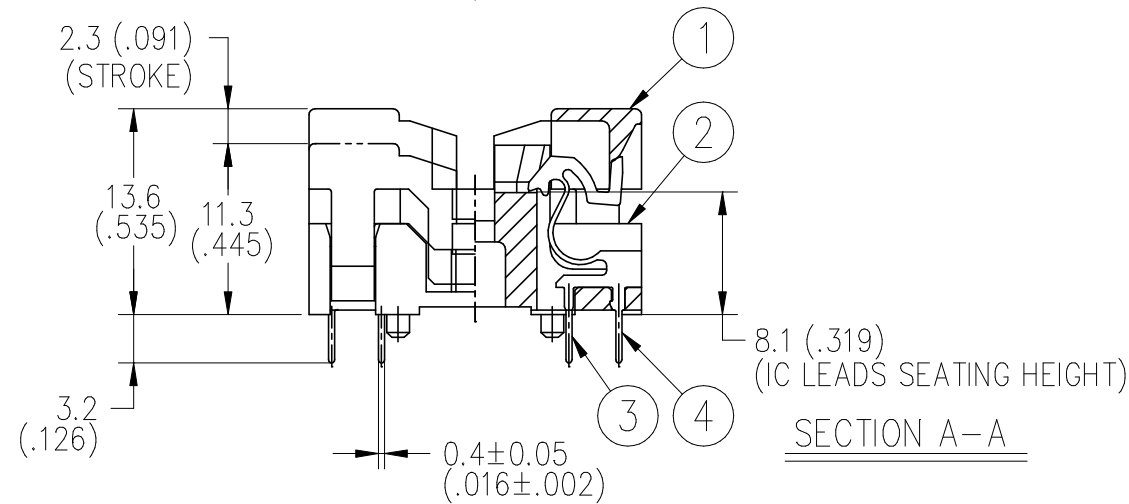
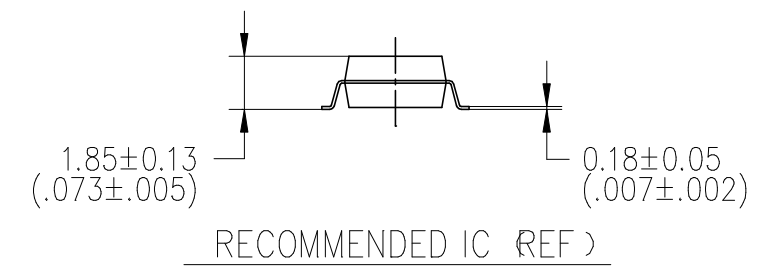
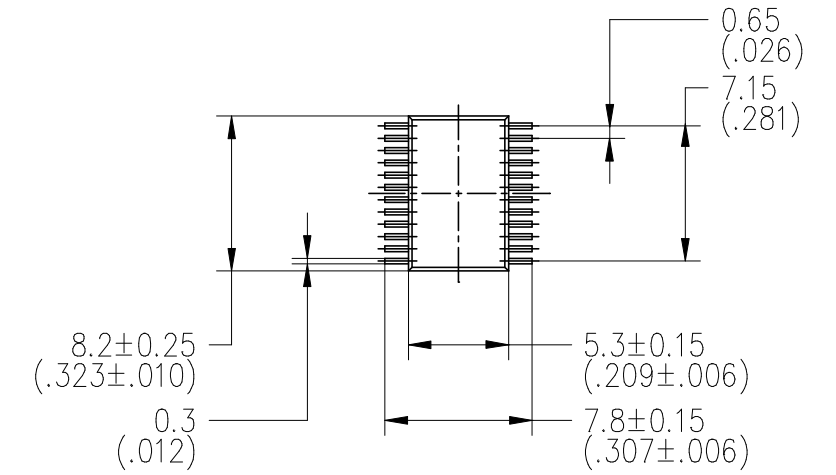
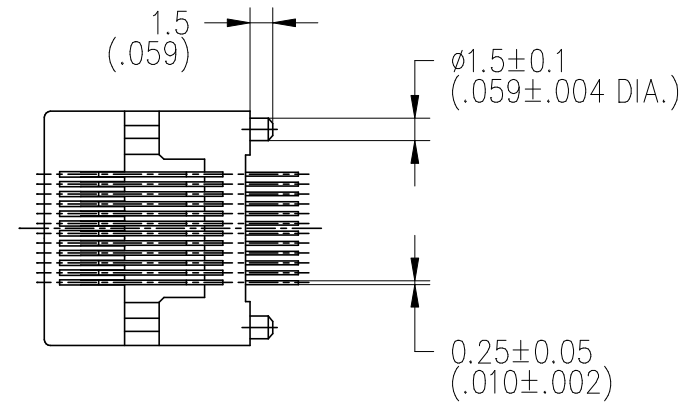
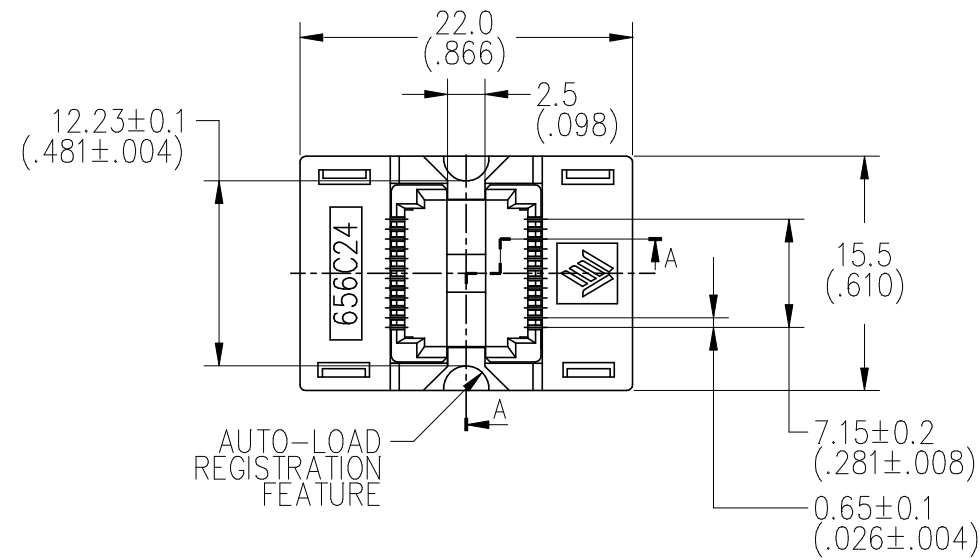
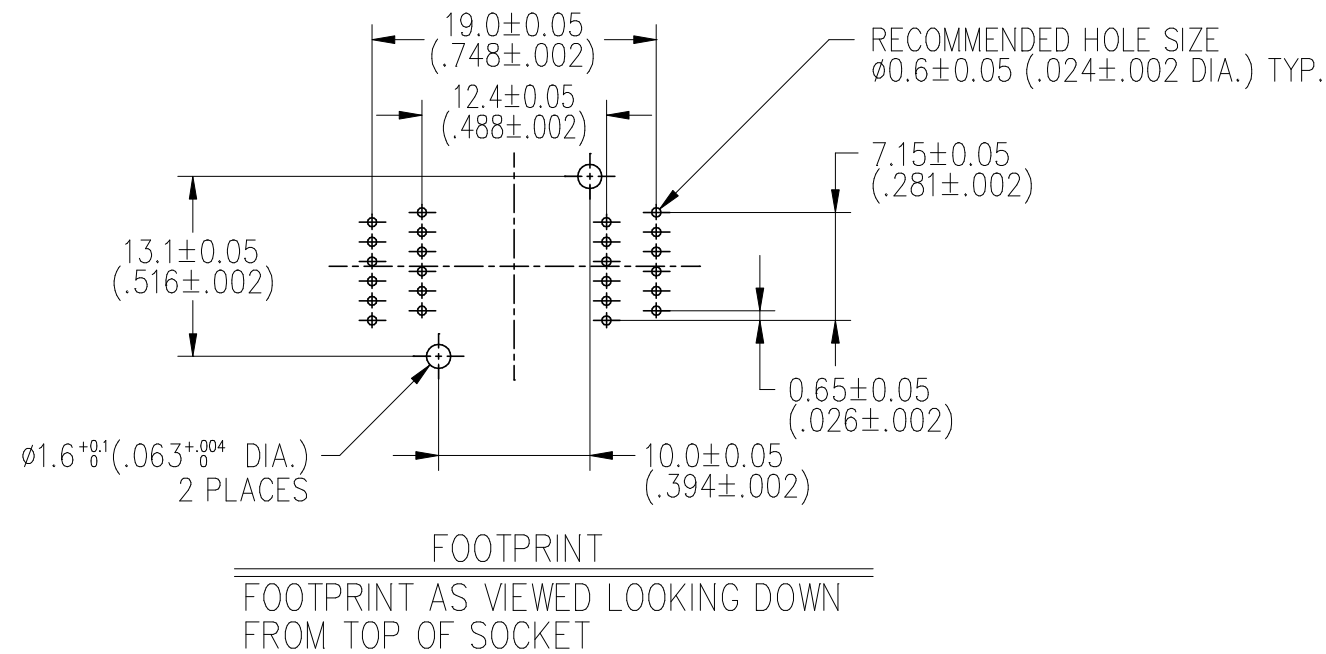


DATE	ECO NO	DESCRIPTION	BY
Sep 30 1994	CDN 94080		M,I



Performance.

1. Insulation Resistance : 1000 MΩ min. at 500V.D.C
2. Dielectric Withstanding Voltage : 600 V.A.C (RMS)
3. Contact Resistance : 30 mΩ max. at 20 mV max.
4. Temperature Range : -40°C ~ +150°C



④	CONTACT- (2)	Be Cu	12	PLATING : Au
③	CONTACT- (1)	Be Cu	12	PLATING : Au
②	BASE-24P	PEI	1	COLOR : BLACK
①	COVER-24P	PEI	1	COLOR : BLACK
P.NO	PART DESCRIPTION	MATERIAL	QTY	NOTE
GENERAL TOLERANCES ±0.3 (±.012)				
UNIT	SCALE	ANGLE	TITLE	
mm (in.)	2/1	3rd.	SSOP 24P SOCKET	
DRAWN	/	/	DWG NO.	
CHECKED	/	/	656C1242211-001	
APPROVED	/	/		

