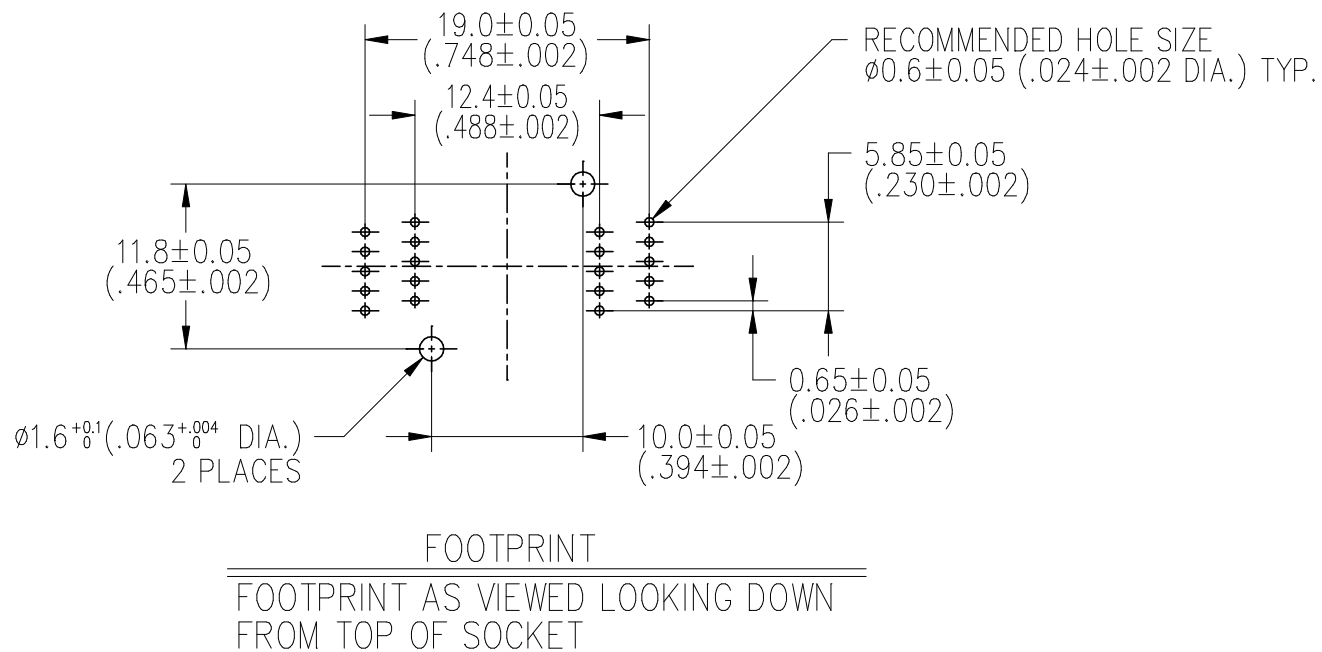
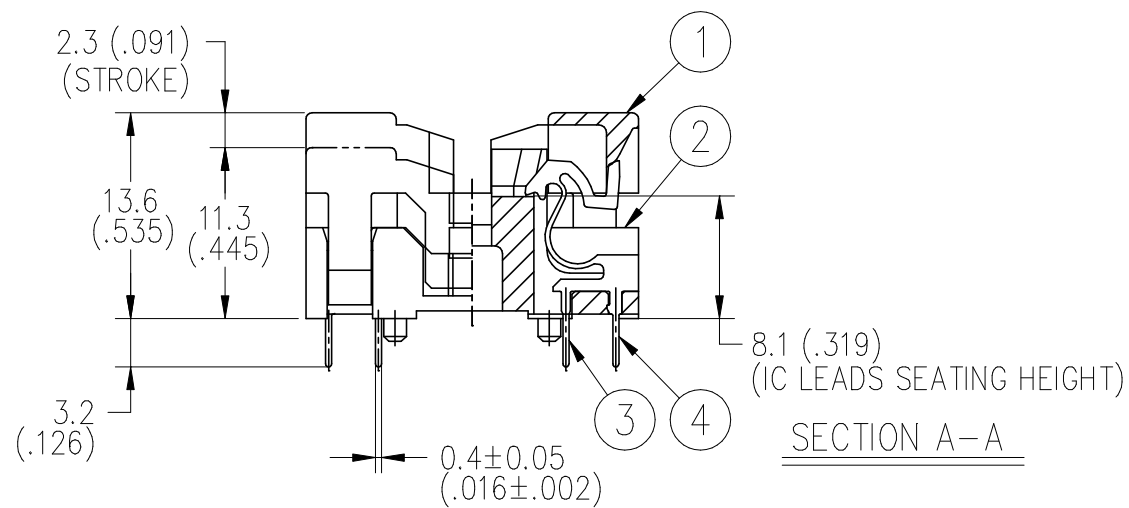
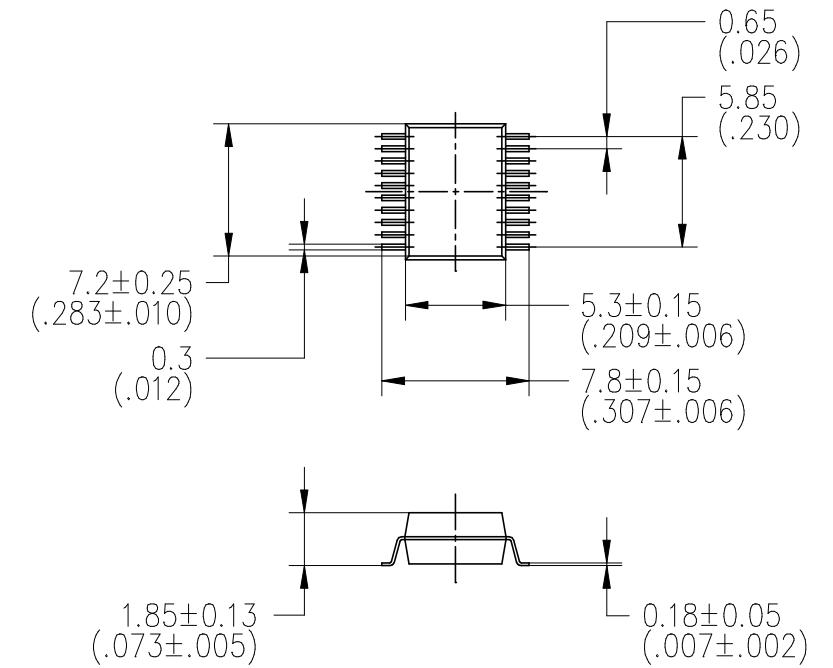
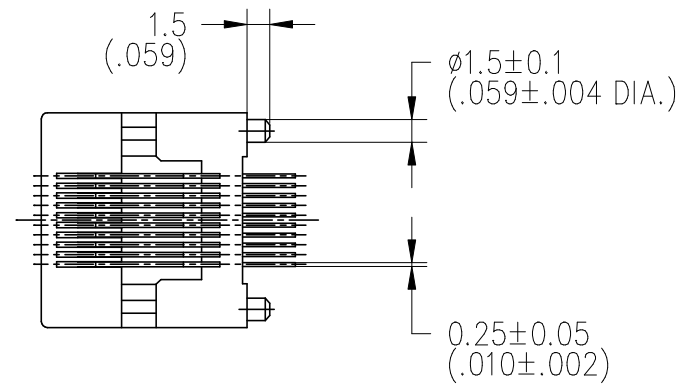
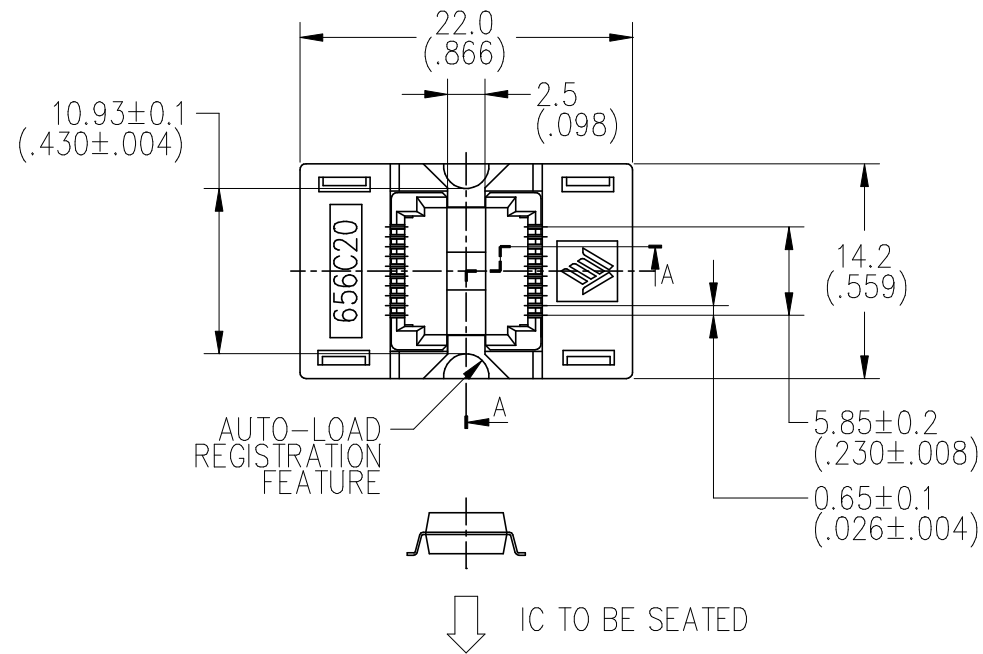


DATE	ECO NO	DESCRIPTION	BY
Sep 30 1994	CDN 94079		M,I



Performance.

1. Insulation Resistance : 1000 M $\Omega$  min. at 500V.D.C
2. Dielectric Withstanding Voltage : 600 V.A.C (RMS)
3. Contact Resistance : 30 m $\Omega$  max. at 20 mV max.
4. Temperature Range : -40°C ~ +150°C

④	CONTACT- (2)	Be Cu	10	PLATING : Au
③	CONTACT- (1)	Be Cu	10	PLATING : Au
②	BASE-20P	PEI	1	COLOR : BLACK
①	COVER-20P	PEI	1	COLOR : BLACK
P.NO	PART DESCRIPTION	MATERIAL	QTY	NOTE
GENERAL TOLERANCES				
±0.3 (±.012)				
UNIT	SCALE	ANGLE	TITLE	
mm (in.)	2/1	3rd.	SSOP 20P SOCKET	
DRAWN	/	/	DWG NO.	
CHECKED	/	/	656C1202211-001	
APPROVED	/	/		

