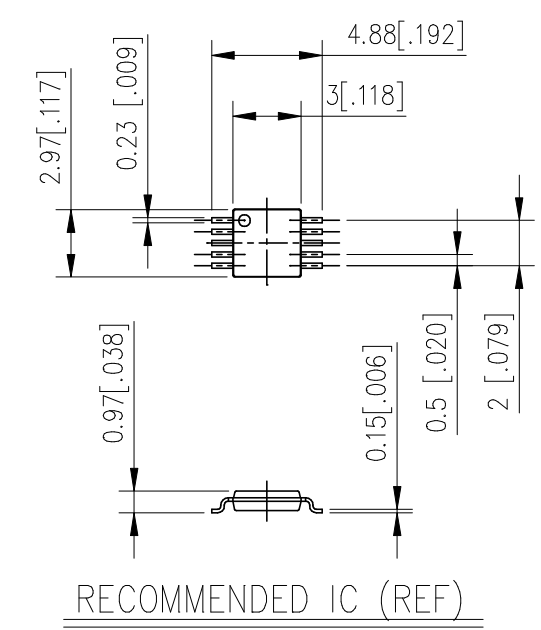
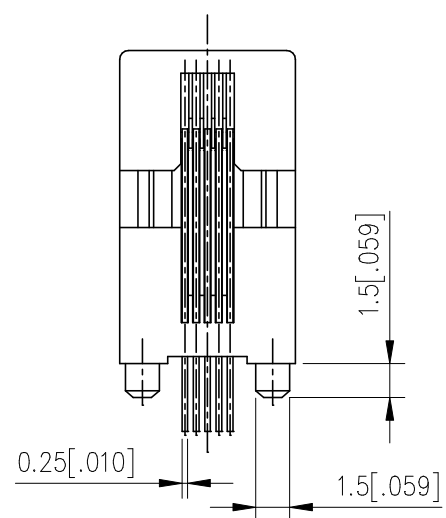
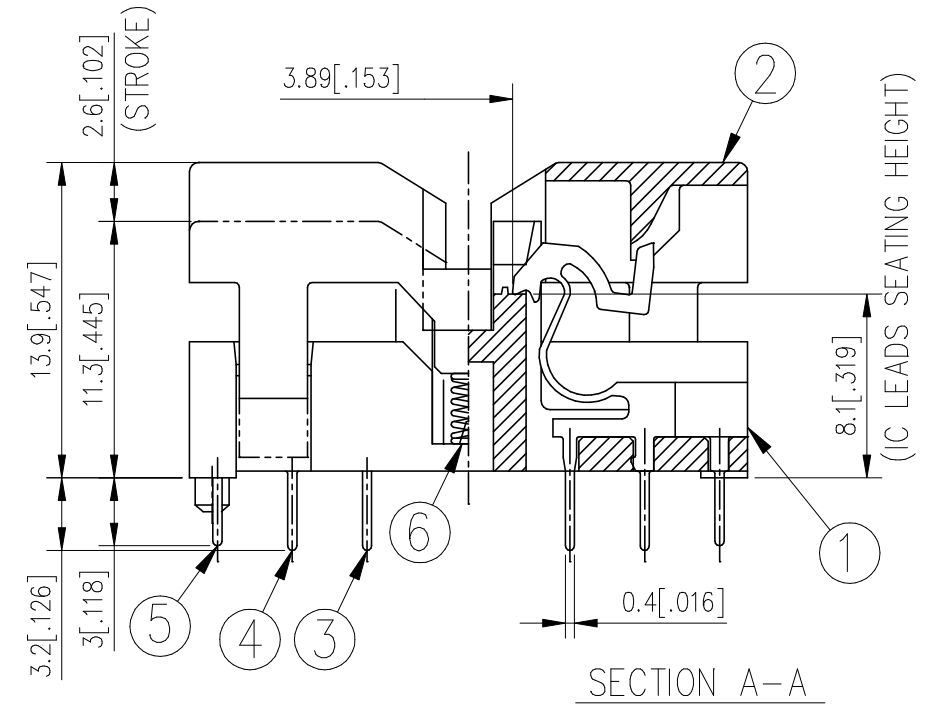
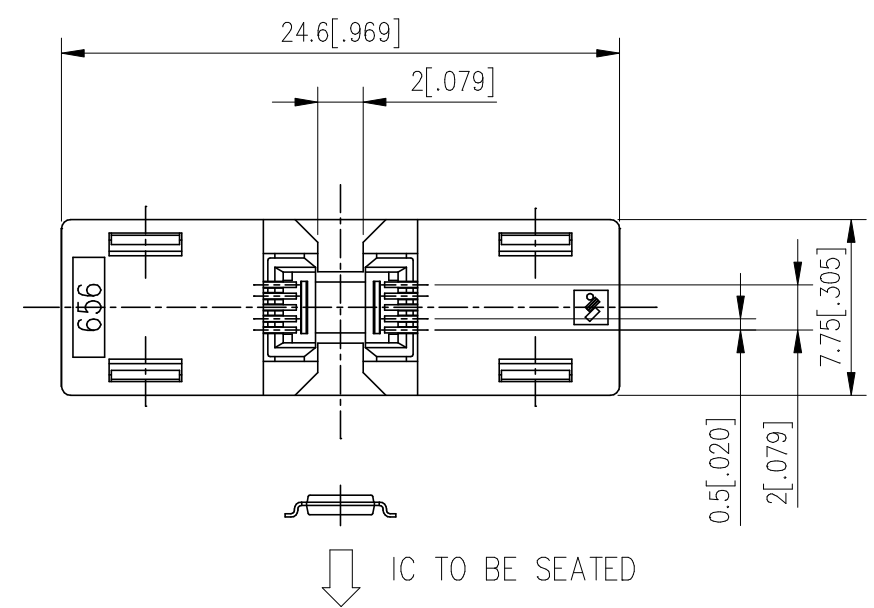
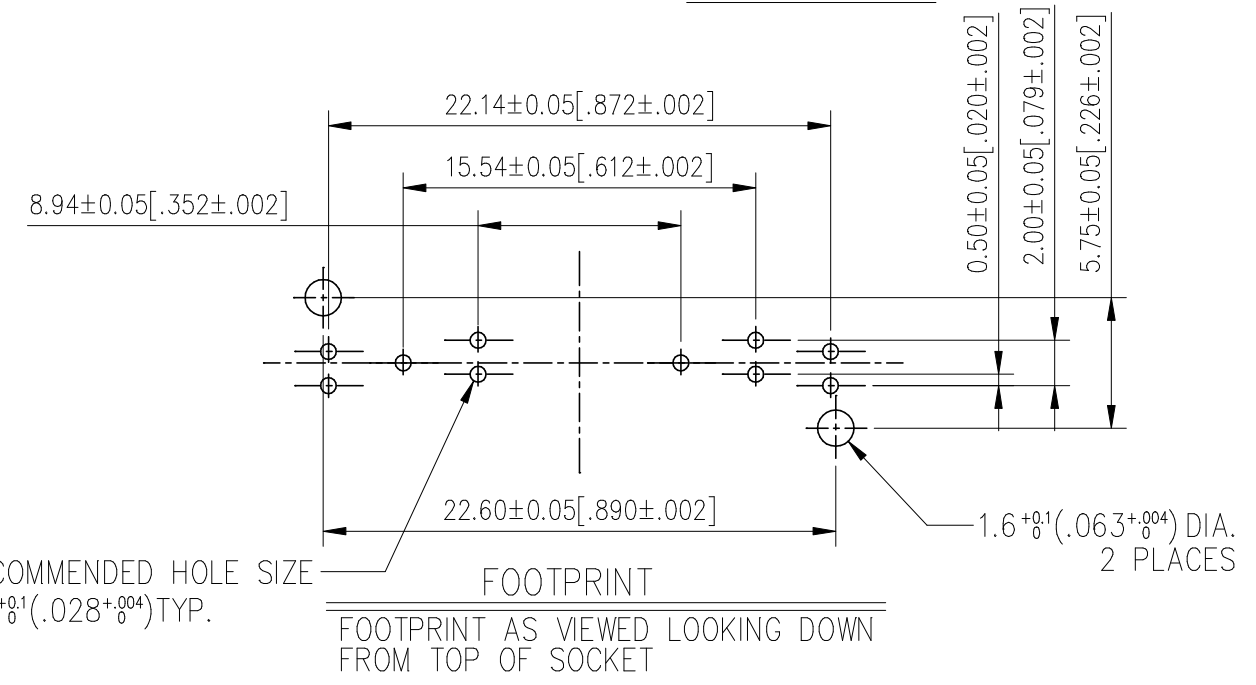


REV	DATE	ECO NO	DESCRIPTION	BY
0	Mar 17 1998	ERN 98107		M,I
A	Oct 31 2001	DCN 01138	Revise	Y,H



Performance.

1. Insulation Resistance : 1000 MΩ min. at 500V.D.C
2. Dielectric Withstanding Voltage : 600 V.A.C (RMS)
3. Contact Resistance : 30 mΩ max. at 20mV max.
4. Temperature Range : -40°C ~ +150°C



RECOMMENDED HOLE SIZE  
0.7+0.1(-0.028+0.004)TYP.

FOOTPRINT  
FOOTPRINT AS VIEWED LOOKING DOWN  
FROM TOP OF SOCKET

ITEM	PART DESCRIPTION	MATERIAL	QTY	NOTE
⑥	SPRING	SUS	2	
⑤	CONTACT-(C)	Be Cu	4	PLATING : Au
④	CONTACT-(B)	Be Cu	3	PLATING : Au
③	CONTACT-(A)	Be Cu	3	PLATING : Au
②	SSOP 10P COVER	PEI(GF)	1	COLOR : BLACK
①	SSOP 10P BASE	PEI(GF)	1	COLOR : BLACK

THIS DOCUMENT CONTAINS PROPRIETARY DESIGNS, SPECIFICATIONS, DATA, INFORMATION AND TECHNICAL MATERIAL THAT ARE THE SOLE PROPERTY OF WELLS-CTI. THIS INFORMATION IS TO BE HELD AND TREATED BY ITS RECIPIENT ON A CONFIDENTIAL BASIS, AND IS NOT TO BE SHOWN OR DISCLOSED TO THIRD PARTY WITHOUT THE WRITTEN CONSENT OF WELLS-CTI. THIS DATA DOES NOT CONVEY MANUFACTURING RIGHTS TO ANY ITEMS SHOW.

この図面に含まれる技術情報の一部は WELLS-CTI 単独の所有権を有する。従って情報非開示の原則に基づき WELLS-CTI 社の書面による同意無しにこの図面を第三者に開示すること及び製造目的に使用することを禁ずる。

GENERAL TOLERANCES ±0.1, ±1°		
UNIT mm	SCALE 3X	ANGLE 3rd.
DRAWN	/	/
ENGINEER	/	/
CHECKED	/	/
APPROVED	/	/

**WELLS-CTI** YOKOHAMA KANAGAWA JAPAN  
A subsidiary of PCD, Inc.

ウェルズ・シーティアイ株式会社

PART NAME  
SSOP 10P SOCKET

PART NUMBER  
656-0102211

DWG NUMBER  
656MSA003

REV  
A

SHEET  
1/1