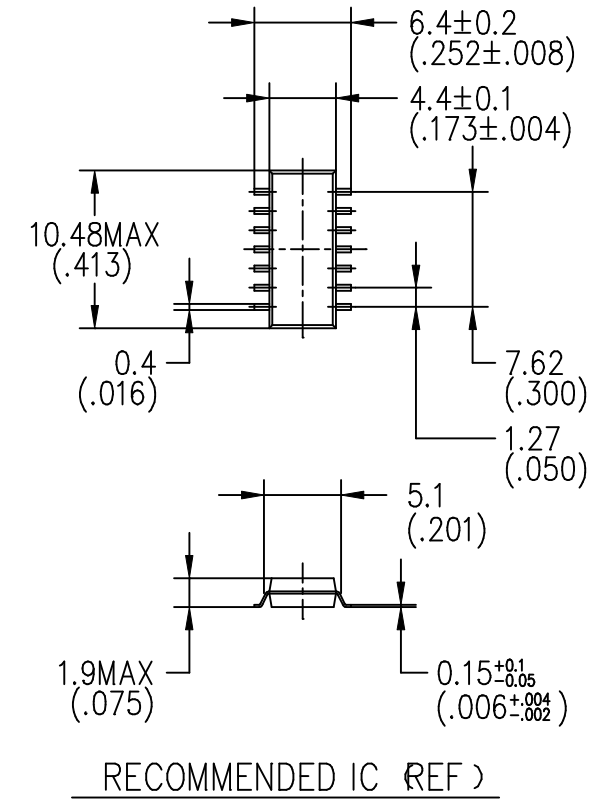
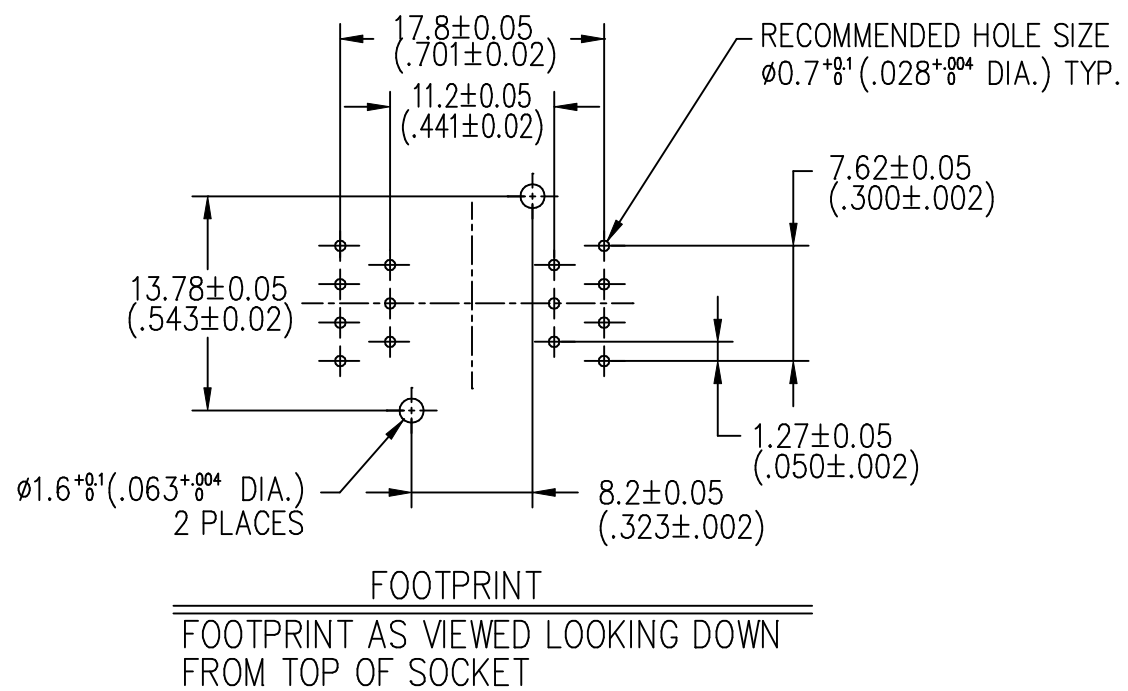
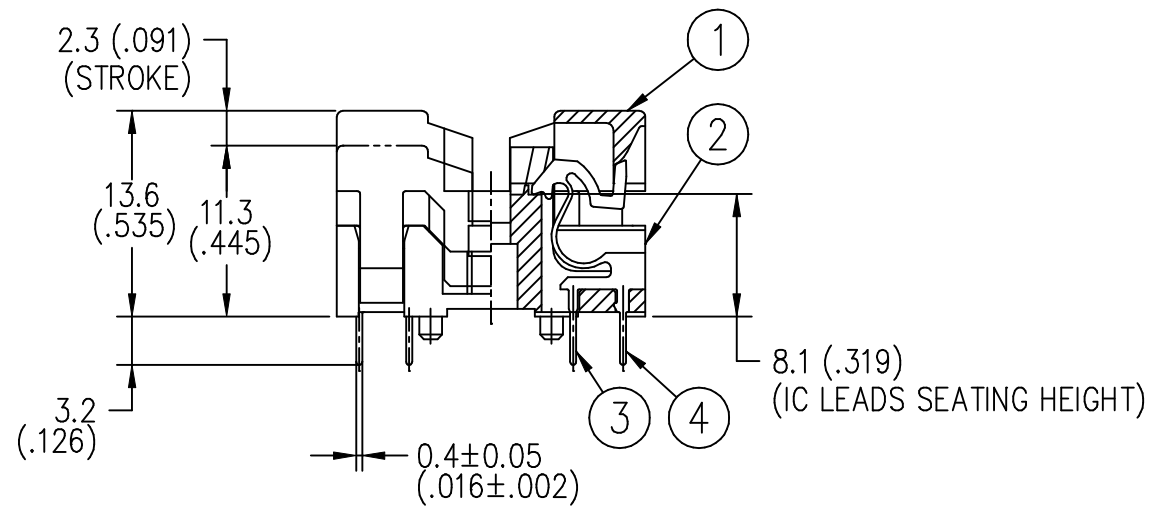
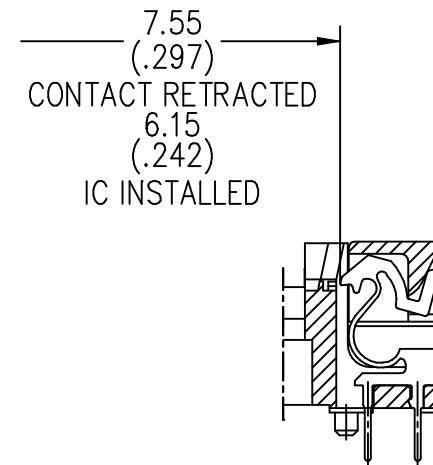
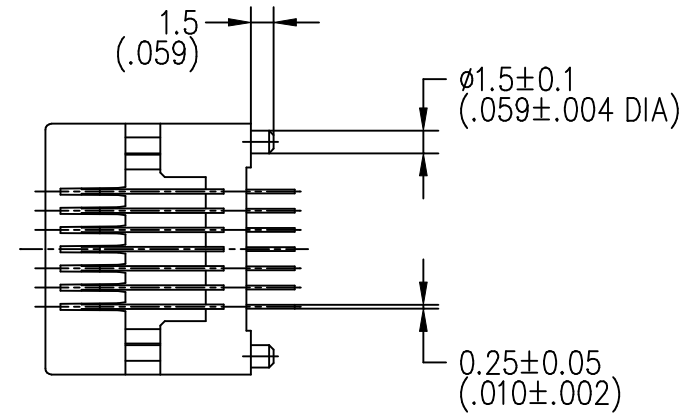
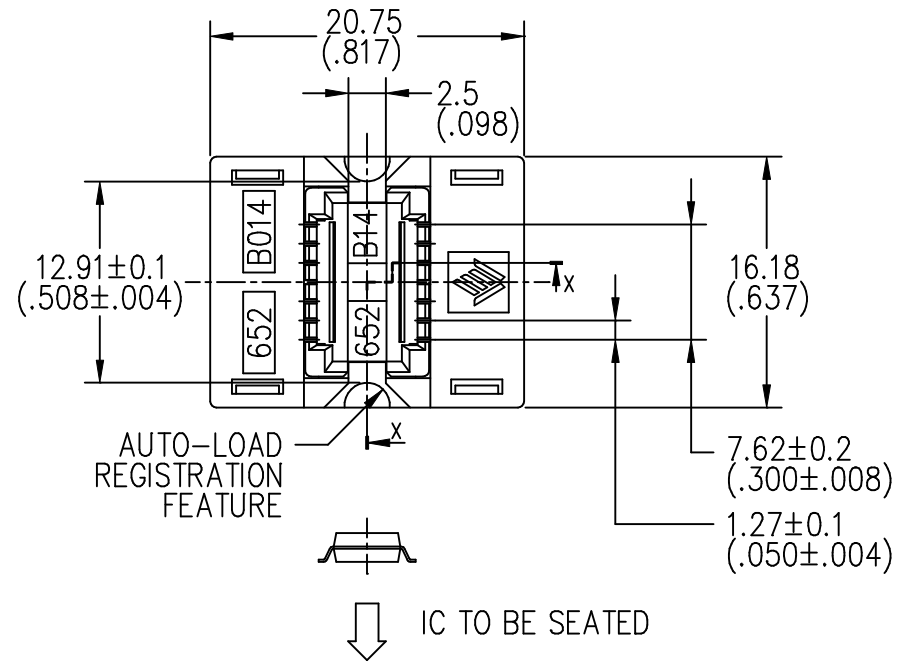


| DATE        | ECO NO    | DESCRIPTION | BY  |
|-------------|-----------|-------------|-----|
| Sep 27 1993 | CDN 93023 |             | A.K |
| Oct 4 1993  | DCN 93025 | Revise      | A.K |
| Sep 5 1994  |           | Revise      | A.K |



Performance.

1. Insulation Resistance : 1000 MΩ min. at 500V.D.C
2. Dielectric Withstanding Voltage : 600 V.A.C (RMS)
3. Contact Resistance : 30 mΩ max. at 20 mV max.
4. Temperature Range : -40°C ~ +150°C

| ④                                  | CONTACT- (2)     | Be Cu    | 7              | PLATING : Au  |
|------------------------------------|------------------|----------|----------------|---------------|
| ③                                  | CONTACT- (1)     | Be Cu    | 7              | PLATING : Au  |
| ②                                  | BASE-14P         | PEI      | 1              | COLOR : BLACK |
| ①                                  | COVER-14P        | PEI      | 1              | COLOR : BLACK |
| P.NO                               | PART DESCRIPTION | MATERIAL | QTY            | NOTE          |
| GENERAL TOLERANCES<br>±0.3 (±.012) |                  |          |                |               |
| UNIT                               | SCALE            | ANGLE    | TITLE          |               |
| mm (in.)                           | —                | 3rd.     | SOP 14P SOCKET |               |
| DRAWN                              | /                | /        | DWG NO.        |               |
| CHECKED                            | /                | /        | 652B0142211    |               |
| APPROVED                           | /                | /        |                |               |



WELLS JAPAN LIMITED  
ウエルズ・ジャパン株式会社