

Hermetically Sealed Single-Ended Beam



FEATURES

- Capacities: 1K to 10Klb and 500 to 5000kg
- High side-load tolerance
- Easy installation
- Electroless nickel-plated-alloy tool steel or stainless steel
- NTEP III 5000M approval 1K to 10Klb

OPTIONAL FEATURE

- FM approval available
- SQB-H(HSS) hermetically sealed stainless steel

DESCRIPTION

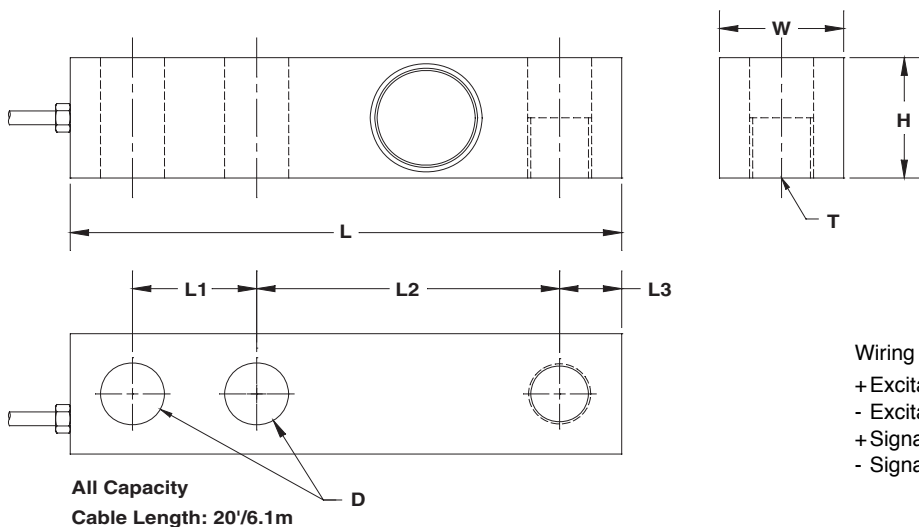
SQB-H(HSS) is a single-ended shear beam load cell designed for multiple cell applications such as low profile platform or small tank scales when used with proper mounting accessories. It is insensitive to side loading and capable of reversed loading. SQB-H(HSS) is constructed of stainless steel and is hermetically sealed to

IP68 providing excellent protection against corrosive and washdown environments.

APPLICATIONS

- Truck/Rail scales
- Silo/Hopper/Tank weighing
- Platform scales (multiple load cells)
- Pallet truck scales
- Packaging machines

OUTLINE DIMENSIONS



Wiring diagram

+ Excitation	Red
- Excitation	Black
+ Signal	Green
- Signal	White

CAPACITY		L	L1	L2	L3	W	H	D	T
500, 1000, 2000kg	mm	130.2	25.4	76.2	12.7	31.2	31.2	13.5	M12 x 1.75
1K/2K/2.5K/3K/4Klb	(inch)	5.12	1.00	3.00	0.50	1.22	1.22	0.53	1/2-20UNF
1500kg	mm	130.2	25.4	88.9	12.7	31.2	31.2	13.5	M12 x 1.75
5000kg	mm	171.5	38.1	95.3	19.0	38.1	38.1	19.8	M20 x 1.5
5K/10Klb	(inch)	6.75	1.50	3.75	0.75	1.50	1.50	0.78	3/4-16UNF



SPECIFICATIONS

PARAMETER	VALUE		UNIT
	NTEP III	Non-Approved	
NTEP/OIML Accuracy class			
Maximum no. of intervals (n)	3000 single 5000 multiple	1000	
$Y = E_{max}/V_{min}$	10000	5000	Maximum available
Standard capacities (E_{max})	1K, 2K, 2.5K, 3K, 4K, 5KSE, 5K, 10K		lbs
Standard capacities (E_{max})	500, 1000, 1500, 2000, 5000		kg
Rated output-R.O.	3.0		mV/V
Rated output tolerance	0.25		±% of rated output
Zero balance	1		±% of rated output
Non linearity	0.025	0.030 (SS: 0.05)	±% of rated output
Hysteresis	0.025	0.030 (SS: 0.05)	±% of rated output
Non-repeatability	0.020	0.020	±% of rated output
Creep error (20 minutes)	0.025	0.030	±% of rated output
Zero return (20 minutes)	0.025	0.030	±% of rated output
Temperature effect on min. dead load output	0.0017	0.0026	±% of rated output/°C
Temperature effect on sensitivity	0.0010	0.0015	±% of applied load/°C
Compensated temperature range	-10 to +40		°C
Operating temperature range	-20 to +60		°C
Safe overload	150		% of R.C.
Ultimate overload	300		% of R.C.
Excitation, recommended	10		Vdc or Vac rms
Excitation, maximum	15		Vdc or Vac rms
Input impedance	385±5		Ohms
Output impedance	350±3		Ohms
Insulation resistance	>5000		Mega-Ohms
Construction	Nickel plated alloy steel*		
Environmental protection	IP68		

* Stainless steel available

All specifications listed subject to change without notice.

FM Approval

Intrinsically Safe: Class I, II, III; Div. 1 Groups A-G

Non-Incendive: Class I; Div. 2 Groups A-D

VISHAY TRANSDUCERS (VT) SALES OFFICES

VT Americas
City of Industry, CA
PH: +1-626-858-8899
FAX: +1-626-332-3418
vt.us@vishaymg.com

VT Netherlands
Breda
PH: +31-76-548-0700
FAX: +31-76-541-2854
vt.nl@vishaymg.com

VMG UK
Basingstoke
PH: +44-125-646-2131
FAX: +44-125-647-1441
vt.uk@vishaymg.com

VMG Israel
Netanya
PH: +972-9-863-8888
FAX: +972-9-863-8800
vt.il@vishaymg.com

VMG Germany
Heilbronn
PH: +49-7131-3901-260
FAX: +49-7131-3901-2666
vt.de@vishaymg.com

VT China
Tianjin
PH: +86-22-2835-3503
FAX: +86-22-2835-7261
vt.prc@vishaymg.com

VMG France
Chartres
PH: +33-2-37-33-31-20
FAX: +33-2-37-33-31-29
vt.fr@vishaymg.com

VT Taiwan*
Taipei
PH: +886-2-2696-0168
FAX: +886-2-2696-4965
vt.roc@vishaymg.com
*Asia except China