

Single Column Compression Cell



FEATURES

- Capacities: 6 to 280t
- Low profile design
- Sealing: IP66 (EN 60.529)
- Trimmed output ensures easy and accurate parallel connection of multiple load cells
- Specially designed mounting arrangements are available for vessel weighing

DESCRIPTION

The KSR is a sealed, single column, compression load cell.

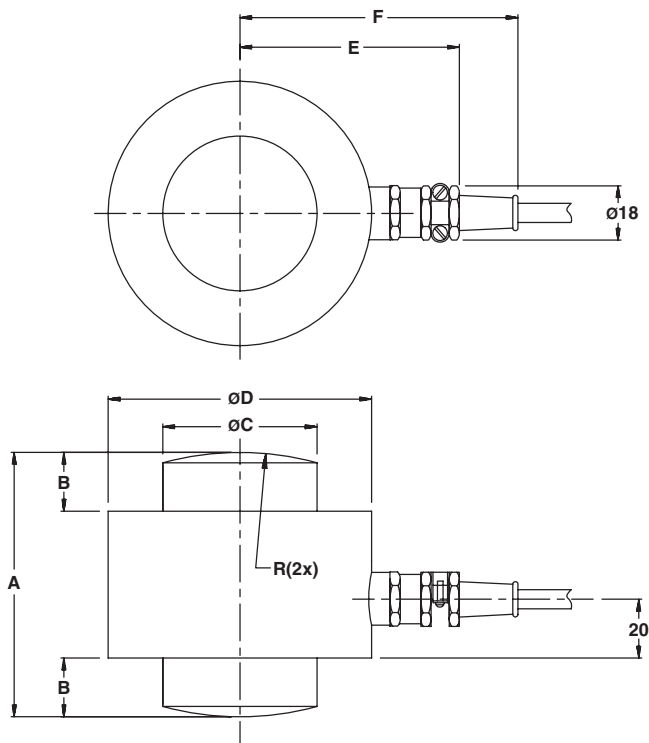
This product is suitable for high capacity platform scales and level control or process weighing in general.

A reliable sealing and mechanical protection of the strain gage area is ensured by the use of stainless steel diaphragms and a housing which are cemented to the measuring element.

APPLICATIONS

- Vessels weighing
- High capacity platforms
- Tank and silo
- Process weighing

OUTLINE DIMENSIONS in millimeters



E_{max}	6	13	28	60	130	280
A	56	68	74	90	116	170
B	8	12	14	20	26	45
C	16.7	24.5	36.0	52.7	77.5	114
D	45	55	64	90	121	165
E	52.5	57.5	62.0	75.0	90.5	112.5
F	71.5	76.5	81	94	109.5	131.5
R	50	66	72	100	125	183

Cable specifications:

Cable length: 10m (6t version: 5m)
 Excitation + Red
 Excitation - White
 Output + Black
 Output - Blue
 Shield Transparent / Yellow

Cable screen is not connected to load cell body.



SPECIFICATIONS

PARAMETER	VALUE		UNIT
Standard capacities (E_{max})	6, 13, 28, 60, 130, 280		ton
Accuracy class according to type designation	Non-Approved - R2	Non-Approved - R1	
Rated output (FSO)	1.5		mV/V
Rated output tolerance	0.008		±mV/V
Zero balance	1.5		±% FSO
Combined error	0.200	0.1000	±% FSO
Minimum dead load output return	0.0700	0.0500	±% FSO
Creep error (30 minutes)	0.0800	0.0600	±% FSO
Creep error (20 - 30 minutes)	0.0200	0.0150	±% FSO
Temperature effect on minimum dead load output	0.025	0.025	±% FSO/5°C
Temperature effect on sensitivity	0.2500	0.2500	±% FSO/5°C
Minimum dead load	0		% E_{max}
Maximum safe over load	120		% E_{max}
Ultimate over load	300		% E_{max}
Maximum safe side load	10		% E_{max}
Deflection at E_{max}	0.35/ 0.53/ 0.80/ 1.22/ 1.85/ 2.67		mm
Excitation voltage	5 to 12		V
Maximum excitation voltage	15		V
Input resistance	275±30		Ω
Output resistance	245±0.2		Ω
Insulation resistance	≥50		MΩ
Compensated temperature range	-10 to +40		°C
Operating temperature range	-20 to +70		°C
Storage temperature range	-30 to +80		°C
Element material (DIN)	Tool steel		
Finish	Epoxy painting		
Sealing (DIN 40.050 / EN60.529)	IP66		

FSO-Full Scale Output

Mounting:

Correct mounting of the load cells is essential to ensure optimum accuracy and performance. Further information is available upon request.

VISHAY TRANSDUCERS (VT) SALES OFFICES

VT Americas
 City of Industry, CA
 PH: +1-626-858-8899
 FAX: +1-626-332-3418
 vt.us@vishaymg.com

VT Netherlands
 Breda
 PH: +31-76-548-0700
 FAX: +31-76-541-2854
 vt.nl@vishaymg.com

VMG UK
 Basingstoke
 PH: +44-125-646-2131
 FAX: +44-125-647-1441
 vt.uk@vishaymg.com

VMG Israel
 Netanya
 PH: +972-9-863-8888
 FAX: +972-9-863-8800
 vt.il@vishaymg.com

VMG Germany
 Heilbronn
 PH: +49-7131-3901-260
 FAX: +49-7131-3901-2666
 vt.de@vishaymg.com

VT China
 Tianjin
 PH: +86-22-2835-3503
 FAX: +86-22-2835-7261
 vt.prc@vishaymg.com

VMG France
 Chartres
 PH: +33-2-37-33-31-20
 FAX: +33-2-37-33-31-29
 vt.fr@vishaymg.com

VT Taiwan*
 Taipei
 PH: +886-2-2696-0168
 FAX: +886-2-2696-4965
 vt.roc@vishaymg.com
 *Asia except China