

Double Ended Beam Load Cell



FEATURES

- Capacities: 10 to 75Klbs
- Environmental protection: IP67 (DIN 40.050)
- Material: Stainless steel
- Certified to NTEP class III, 10000 divisions

OPTIONAL FEATURE

- FM approved for use in potentially explosive atmosphere

DESCRIPTION

The 9423 is a medium capacity Double Ended Beam type load cell made of stainless steel.

This product is designed for use in certified truck and rail scales and is available in capacities from 10K to 75Klbs.

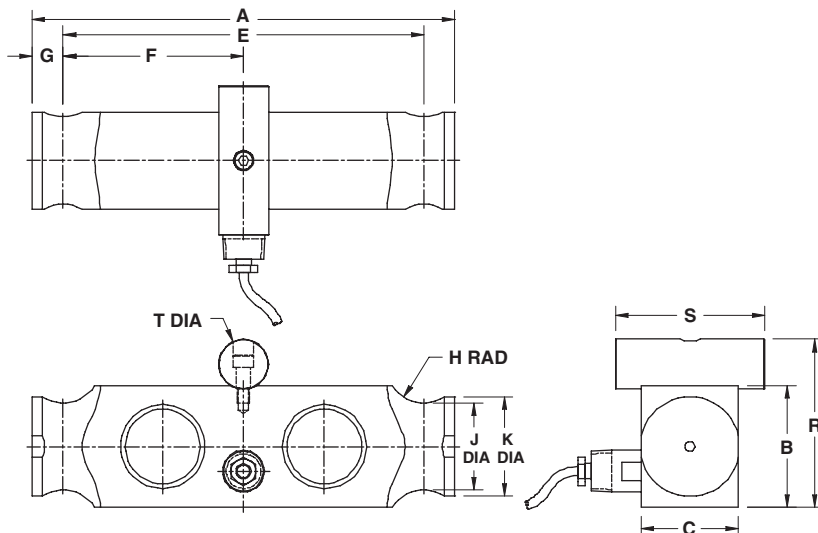
A reliable sealing and mechanical protection of the strain gage area is ensured by the use of potting compound with a metal cover.

This load cell is rated intrinsically safe by the FM system, making it suitable for use in potentially explosive atmosphere.

APPLICATIONS

- Weighbridges
- Silos, tanks and hoppers

OUTLINE DIMENSIONS in inches



Cable specifications:

Cable length: 9 m (30ft)

Excitation + Red

Excitation - Black

Output + Green

Output - White

Shield Transparent

Cable screen is not connected to load cell body.

Capacity	10, 15, 20, 25K	30, 40, 50, 60, 75K
A	8.00	8.50
B	1.94	2.45
C	1.44	1.95
E	7.12	7.25
F	3.56	3.62
G	0.44	0.63
H Rad	0.38	0.75
J	0.80	1.75
K	1.00	2.00
R	2.57	3.38
S	1.94	3.00
T	0.75	1.00

**SPECIFICATIONS**

PARAMETER	VALUE		UNIT
Capacities	10K*, 15K*, 20K, 25K, 30K, 40K, 50K, 60K, 75K		lbs
Accuracy class according to NTEP	NTEP IIII	Non-Approved	
Max. no. of verification intervals	10000d		
Rated output (=S)	3.0		mV/V
Rated output tolerance	0.003		±mV/V
Zero balance	1.0		±% FSO
Combined error	0.0200	0.0300	±% FSO
Creep error (20 - 30 minutes)	0.0300	0.0300	±% applied load
Temperature effect on min. dead load output	0.0090 (0.0010)	0.0135 (0.0015)	±% FSO/5°C (°F)
Temperature effect on sensitivity	0.0072 (0.0008)		±% applied load/5°C (°F)
Compensated temperature range	-10 to +40 (+14 to 104)		°C (°F)
Operating temperature range	-53 to +93 (-65 to +200)		°C (°F)
Safe load limit	150		%E _{max}
Ultimate load	300		%E _{max}
Safe side load limit	100		%E _{max}
Excitation voltage recommended	10		V
Excitation voltage maximum	15		V
Input resistance	700±7		Ω
Output resistance	700±7		Ω
Insulation resistance	≥5000		MΩ
Environmental protection	IP67		
Element material	Stainless steel		ASTM

* Capacities 10K & 15K are not NTEP approved.

FSO-Full Scale Output

Correct mounting of the load cells is essential to ensure optimum accuracy and performance. Further information is available upon request.

VISHAY TRANSDUCERS (VT) SALES OFFICES

VT Americas
City of Industry, CA
PH: +1-626-858-8899
FAX: +1-626-332-3418
vt.us@vishaymg.com

VT Netherlands
Breda
PH: +31-76-548-0700
FAX: +31-76-541-2854
vt.nl@vishaymg.com

VMG UK
Basingstoke
PH: +44-125-646-2131
FAX: +44-125-647-1441
vt.uk@vishaymg.com

VMG Israel
Netanya
PH: +972-9-863-8888
FAX: +972-9-863-8800
vt.il@vishaymg.com

VMG Germany
Heilbronn
PH: +49-7131-3901-260
FAX: +49-7131-3901-2666
vt.de@vishaymg.com

VT China
Tianjin
PH: +86-22-2835-3503
FAX: +86-22-2835-7261
vt.prc@vishaymg.com

VMG France
Chartres
PH: +33-2-37-33-31-20
FAX: +33-2-37-33-31-29
vt.fr@vishaymg.com

VT Taiwan*
Taipei
PH: +886-2-2696-0168
FAX: +886-2-2696-4965
vt.roc@vishaymg.com
*Asia except China