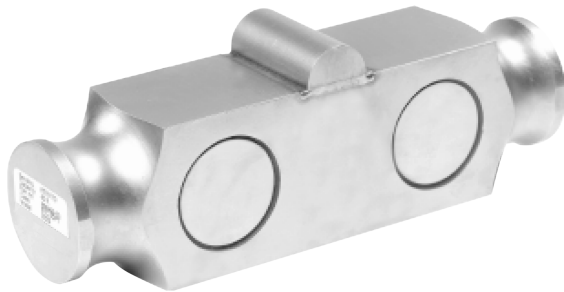


## Double Ended Beam Load Cell



### FEATURES

- Capacities: 20 to 75Klbs
- Environmental protection: IP67 (DIN 40.050)
- Material: Stainless steel
- Certified by NTEP class III L 10000 divisions

### OPTIONAL FEATURE

- FM approved for use in potentially explosive atmosphere

### DESCRIPTION

The 9323 is a Double Ended Beam type load cell.

This product is designed for use in certified truck and rail scales and is available in capacities from 20K to 75Klbs.

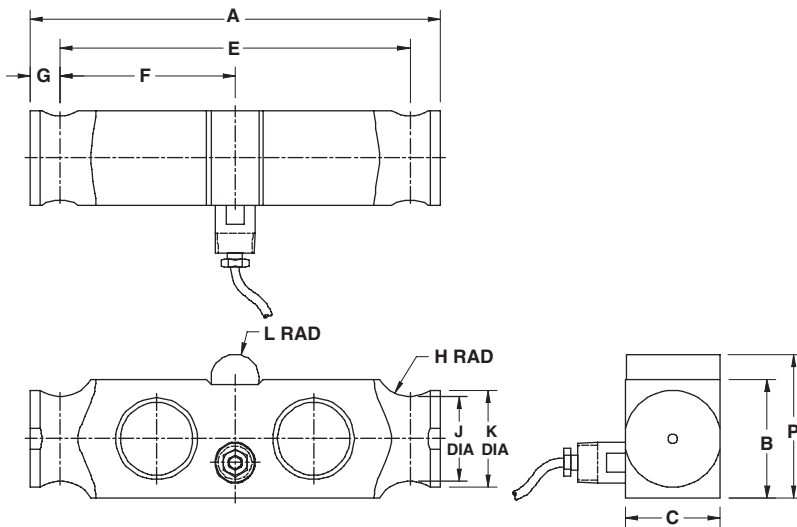
A reliable sealing and mechanical protection of the strain gage area is ensured by the use of potting compound with a metal cover.

This load cell is rated intrinsically safe by the FM system, making it suitable for use in potentially explosive atmosphere.

### APPLICATIONS

- Weighbridges
- Silos, tanks and hoppers

### OUTLINE DIMENSIONS in inches



#### Cable specifications:

Cable length: 9 m (30ft)

Excitation + Red  
 Excitation - Black  
 Output + Green  
 Output - White  
 Shield Transparent

Cable screen is not connected to load cell body.

Capacity	20 - 25K	30 - 75K
A	8.00	8.50
B	1.94	2.45
C	1.44	1.95
E	7.12	7.25
F	3.56	3.63
G	0.44	0.63
H	0.38	0.75
J RAD	0.80	1.75
ØK	1.00	2.00
L RAD	0.38	0.50
P	2.31	3.00

**SPECIFICATIONS**

PARAMETER	VALUE		UNIT
Capacities	20K, 25K, 30K, 40K, 50K, 60K, 75K		lbs
Accuracy class according to NTEP	NTEP IIIIL	Non-Approved	
Max. no. of verification intervals	10000d		
Rated output (=S)	3		mV/V
Rated output tolerance	0.003		±mV/V
Zero balance	1.0		±% FSO
Combined error	0.0200	0.0500	±% FSO
Creep error (20 - 30 minutes)	0.0300	0.0200	±% applied load
Temperature effect on zero	0.0090 (0.0010)	0.0250	±% FSO/5°C (°F)
Temperature effect on output	0.0072 (0.0008)	0.0250	±% applied load/5°C (°F)
Compensated temperature range	-10 to +40 (+14 to 104)		°C (°F)
Operating temperature range	-53 to +93 (-65 to +200)		°C (°F)
Safe load limit	150		%E <sub>max</sub>
Ultimate load	300		%E <sub>max</sub>
Safe side load limit	100		%E <sub>max</sub>
Excitation voltage recommended	10		V
Excitation voltage maximum	15		V
Input resistance	700±7		Ω
Output resistance	700±7		Ω
Insulation resistance	≥5000		MΩ
Environmental protection	IP67		
Element material	Stainless steel		ASTM

FSO-Full Scale Output

Correct mounting of the load cells is essential to ensure optimum accuracy and performance. Further information is available upon request.

**VISHAY TRANSDUCERS (VT) SALES OFFICES**

**VT Americas**  
City of Industry, CA  
PH: +1-626-858-8899  
FAX: +1-626-332-3418  
vt.us@vishaymg.com

**VT Netherlands**  
Breda  
PH: +31-76-548-0700  
FAX: +31-76-541-2854  
vt.nl@vishaymg.com

**VMG UK**  
Basingstoke  
PH: +44-125-646-2131  
FAX: +44-125-647-1441  
vt.uk@vishaymg.com

**VMG Israel**  
Netanya  
PH: +972-9-863-8888  
FAX: +972-9-863-8800  
vt.il@vishaymg.com

**VMG Germany**  
Heilbronn  
PH: +49-7131-3901-260  
FAX: +49-7131-3901-2666  
vt.de@vishaymg.com

**VT China**  
Tianjin  
PH: +86-22-2835-3503  
FAX: +86-22-2835-7261  
vt.prc@vishaymg.com

**VMG France**  
Chartres  
PH: +33-2-37-33-31-20  
FAX: +33-2-37-33-31-29  
vt.fr@vishaymg.com

**VT Taiwan\***  
Taipei  
PH: +886-2-2696-0168  
FAX: +886-2-2696-4965  
vt.roc@vishaymg.com  
\*Asia except China