

Double-Link Beam Load Cell



FEATURES

- Capacities: 50K to 125Klbs
- Stainless steel construction
- Certified to NTEP class IIIIL 10000 divisions
- Sealing: IP68
- Low profile, self-checking and self-centering
- Optimised design specially for weigh-bridge use
- Optional conduit adapter

OPTIONAL FEATURE

- FM approved for use in potentially explosive atmosphere

DESCRIPTION

The 9223 is a hermetically sealed, end loaded, centre supported double ended shear beam.

This product is suitable for a wide range of truck and rail scales. It is designed to use parallel link loading, considered by many weighing experts to be advantageous when compared to other loading techniques.

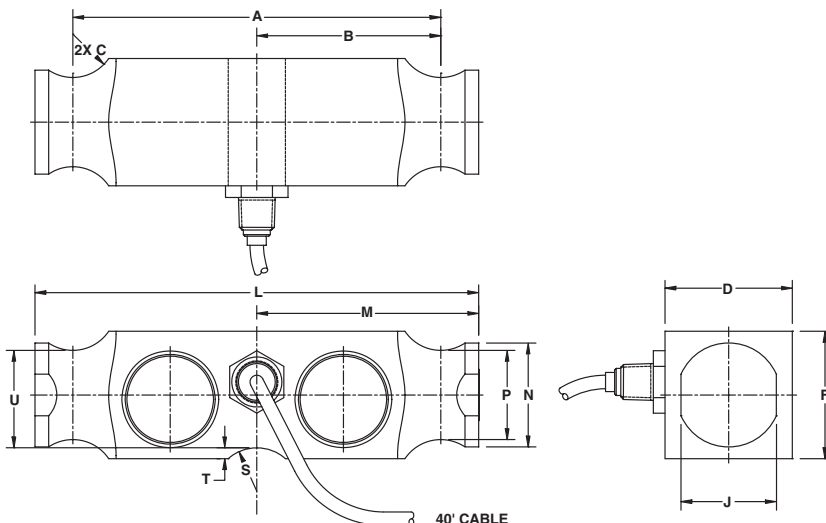
Fully welded stainless steel seals ensure high environmental integrity and provided that additional cable sealing is used, occasional submersion can occur without damage.

These products meet the stringent Weights and Measures requirements throughout USA.

APPLICATIONS

- Truck scales
- Railroad track scales
- "Legal for Trade" tank, bin and hopper weighing

OUTLINE DIMENSIONS in inches



Cable specifications:

- Cable length: 40 feet
- Excitation + Red
- Excitation - Black
- Output + Green
- Output - White
- Shield Bare

Cable screen is not connected to load cell body. Performance may be affected if load cell cables are shortened.

Capacity (lb)	50K, 65K, 100K, 125K
A	8.50
B	4.25
C RAD	1.00
D	2.94
F	2.94
J	2.20
L	10.25
M	5.13
N	2.40
P	2.06
S RAD	1.00
T	0.25
U	2.25

**SPECIFICATIONS**

PARAMETER	VALUE		UNIT
Standard capacities (E_{max})	50, 65, 100, 125		Klbs
Accuracy class according to NTEP	NTEP IIIIL	Non-Approved	
Maximum no. of verification intervals (n_{lc})	10000		
Rated output (=S)	3		mV/V
Rated output tolerance	0.003		±mV/V
Zero balance	1.0		±% FSO
Combined error	0.0200	0.0500	±% FSO
Non-repeatability	0.0100	0.0200	±% FSO
Creep error (20 - 30 minutes)	0.0300	0.0300	±% applied load
Temperature effect on minimum dead load output	0.0008	(0.0140)	±% FSO/°F (/5°C)
Temperature effect on sensitivity	0.0010	(0.0070)	±% applied load/°F (/5°C)
Compensated temperature range	-10 to +40 (+14 to 104)		°C (°F)
Operating temperature range	-53 to +93 (-65 to +200)		°C (°F)
Safe load limit	150		% E_{max}
Ultimate load	300		% E_{max}
Safe side load limit	100		% E_{max}
Excitation voltage recommended	10		V
Excitation voltage maximum	15		V
Input resistance	700±7		Ω
Output resistance	700±7		Ω
Insulation resistance	≥5000		MΩ
Environmental protection	IP68		
Element material	Stainless steel		ASTM

FSO-Full Scale Output

VISHAY TRANSDUCERS (VT) SALES OFFICES

VT Americas
City of Industry, CA
PH: +1-626-858-8899
FAX: +1-626-332-3418
vt.us@vishaymg.com

VT Netherlands
Breda
PH: +31-76-548-0700
FAX: +31-76-541-2854
vt.nl@vishaymg.com

VMG UK
Basingstoke
PH: +44-125-646-2131
FAX: +44-125-647-1441
vt.uk@vishaymg.com

VMG Israel
Netanya
PH: +972-9-863-8888
FAX: +972-9-863-8800
vt.il@vishaymg.com

VMG Germany
Heilbronn
PH: +49-7131-3901-260
FAX: +49-7131-3901-2666
vt.de@vishaymg.com

VT China
Tianjin
PH: +86-22-2835-3503
FAX: +86-22-2835-7261
vt.prc@vishaymg.com

VMG France
Chartres
PH: +33-2-37-33-31-20
FAX: +33-2-37-33-31-29
vt.fr@vishaymg.com

VT Taiwan*
Taipei
PH: +886-2-2696-0168
FAX: +886-2-2696-4965
vt.roc@vishaymg.com
*Asia except China