

Compression Load Cell



FEATURES

- Capacities: 50Klbs and 100Klbs
- Environmental protection: IP68 (DIN 40.050)
- Material: Stainless Steel
- Hermetically sealed

OPTIONAL FEATURE

- FM approved for use in potentially explosive atmosphere

DESCRIPTION

The 92 canister is designed for compression applications. Its stainless steel construction combined with hermetically sealing allows the 92 to be used in harsh environments.

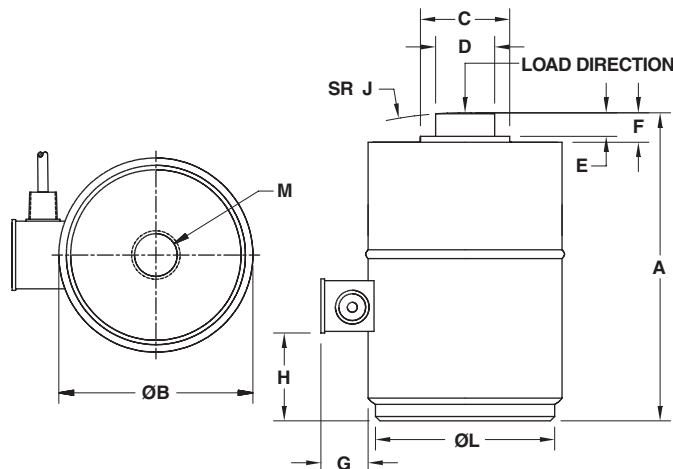
A large range of capacities is available.

Hermetic sealing offers excellent protection from moisture and provides longterm stability and reliability.

APPLICATIONS

- Silo, tanks and hoppers
- Suspended silos, tanks and hoppers
- Railroad scales
- Weighbridges

OUTLINE DIMENSIONS in inches



Cable specifications:

Cable length: 12.2m (40ft)

Excitation + Red
 Excitation - Black
 Output + Green
 Output - White
 Shield Transparent

Cable screen is not connected to load cell body

Capacity	50K	100K
A	6.00	8.50
B	4.25	5.03
C	1.63	2.45
D	1.50	1.75
E	0.10	0.10
F	0.50	0.63
G	1.18	1.25
H	1.49	2.90
M UNF deep	3/4-16 0.56	3/4-16 0.56
J	6.00	12.00



SPECIFICATIONS

PARAMETER	VALUE		UNIT
	Imperial		
Capacities	50K, 100K		lbs
Accuracy class	Non-Approved		
Rated output (=S)	Model 92: 2±0.002	Model 93: 3±0.003	mV/V
Zero balance	1.0		±% FSO
Combined error	0.0500		±% FSO
Creep error (20 minutes)	0.0300		±% applied load
Temperature effect on zero	0.0090 (0.0010)		±% FSO/5°C (°F)
Temperature effect on output	0.0135 (0.0015)		±% applied load/5°C (°F)
Compensated temperature range	-10 to +40 (+14 to +104)		°C (°F)
Operating temperature range	-53 to +93 (-65 to +200)		°C (°F)
Safe load limit	150		%E _{max}
Ultimate load	200		%E _{max}
Safe side load limit	10		%E _{max}
Excitation voltage recommended	10		V
Excitation voltage maximum	15		V
Input resistance	350±3.5		Ω
Output resistance	350±3.5		Ω
Insulation resistance at 50VDC	≥5000		MΩ
Environmental protection	IP68		
Element material	Stainless steel		

FSO-Full Scale Output

Mounting:

Correct mounting of the load cells is essential to ensure optimum accuracy and performance. Further information is available upon request.

VISHAY TRANSDUCERS (VT) SALES OFFICES

VT Americas
 City of Industry, CA
 PH: +1-626-858-8899
 FAX: +1-626-332-3418
 vt.us@vishaymg.com

VT Netherlands
 Breda
 PH: +31-76-548-0700
 FAX: +31-76-541-2854
 vt.nl@vishaymg.com

VMG UK
 Basingstoke
 PH: +44-125-646-2131
 FAX: +44-125-647-1441
 vt.uk@vishaymg.com

VMG Israel
 Netanya
 PH: +972-9-863-8888
 FAX: +972-9-863-8800
 vt.il@vishaymg.com

VMG Germany
 Heilbronn
 PH: +49-7131-3901-260
 FAX: +49-7131-3901-2666
 vt.de@vishaymg.com

VT China
 Tianjin
 PH: +86-22-2835-3503
 FAX: +86-22-2835-7261
 vt.prc@vishaymg.com

VMG France
 Chartres
 PH: +33-2-37-33-31-20
 FAX: +33-2-37-33-31-29
 vt.fr@vishaymg.com

VT Taiwan*
 Taipei
 PH: +886-2-2696-0168
 FAX: +886-2-2696-4965
 vt.roc@vishaymg.com
 *Asia except China