

## Self Contained Weighing Module



### FEATURES

- Capacities 3-90kg
- **Unique adjustable tare load cancelling mechanism**
- Highly effective viscous damping
- 6 Built-in overload limit stops in three directions
- Weighing speed is much faster than standard load cell
- IP65 protection

### OPTIONAL FEATURES

- Stainless steel version
- IP66 with additional breather tube
- Digital version available

### DESCRIPTION

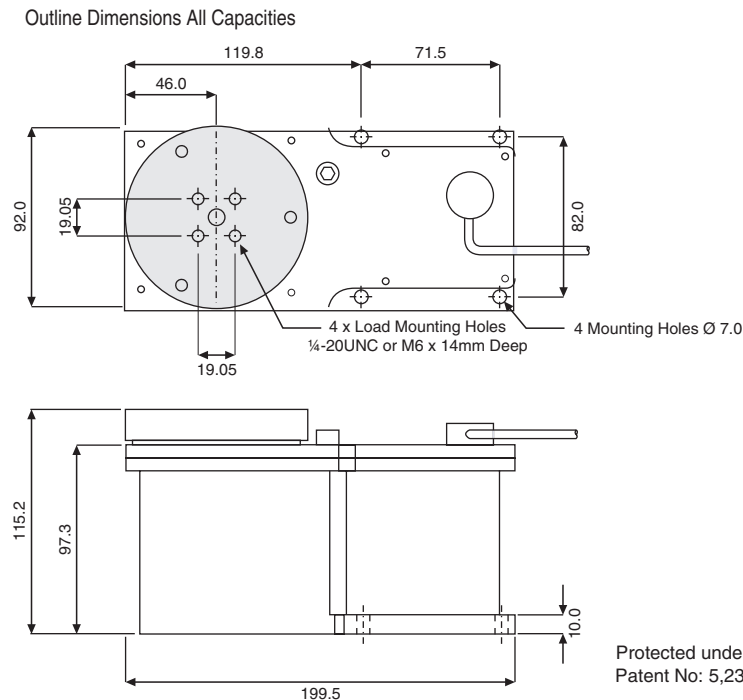
Model 9010 is a self contained weighing module for use in repeated shock-loading applications or where fast weighing and settling times are required such as multihead weighers, check weighers and other static and dynamic weighing applications characterized by sudden or impact loading.

Model 9010's unique fluid damping system allows the load cell to be used in applications that previously required the use of LVDT's or similar types of measuring devices.

The model 9010 has a unique adjustable tare load cancellation feature which brings load cell adaptability into checkweighing and grading applications.

The two additional sense wires feed back the voltage reaching the load cell. Complete compensation of changes in lead resistance due to temperature change and/or cable extension, is achieved by feeding this voltage into the appropriate electronics.

### OUTLINE DIMENSIONS in millimeters





## HIGH PERFORMANCE DYNAMIC WEIGHING

Weigh Module 9010 consists of a Vishay Tedea-Huntleigh single point load cell enclosed in an environmentally protected, electroless nickel plated aluminium housing. The Module integrates load cell performance, viscous damping, adjustable tare offset mechanism and overload protection.

## LOAD CELL

Vishay Tedea-Huntleigh's Model 1010, 1040 or 1140 single point load cells can be used in the Model 9010. Standard capacities 3kg to 90kg; for higher capacities, consult Vishay Tedea-Huntleigh.

## OVERLOAD PROTECTION

Model 9010 is equipped with built-in overload stops for positive (push), negative (pull) and twisting loads. These stops are factory adjusted for each specific application.

## DAMPING

Model 9010 features a unique viscous damping technique developed and patented by Vishay Tedea-Huntleigh, which provides

- Faster settling time

- Higher weighing speeds
- Load cell protection (extended working life)

Damping parameters are factory set for each specific application. The benefits of damping are illustrated by the test results shown below, which show actual oscilloscope traces for damped and undamped load cells under identical tests.

## TARE LOAD CANCELLING

Model 9010 features an adjustable tare load cancelling mechanism which provides a tare offset of up to 35kg (in several ranges). The tare offset is factory set but may be adjusted by the user. This feature enables the use of a lower capacity load cell, resulting in electronic circuits with lower gains, lower noise, higher stability and lower temperature drifts.

An example for the power of tare cancelling:

Assume an application with 5kg dead load and 2kg (useful) load.

1. Without tare cancelling:  
Total load of 5+2 is 7kg, therefore, a load cell with capacity of at least 10kg has to be selected.
2. With tare cancelling:  
The 5kg dead load can be opposed and effectively cancelled by the Tare Cancellation Mechanism, leaving a load of 2kg only, hence a capacity of 3kg can be selected.
3. Results:  
A capacity of 3kg rather than of 10kg is enabled by the Tare Cancellation feature for a gain of over 3 times in resolution and noise.

## LOAD CELL LIFE

Because of the design and unique features of Model 9010, the life of the load cell is increased substantially. For example, in one typical set of life tests, the undamped load cell failed after approximately 300,000 cycles. The damped load cell held without any significant deterioration for more than 300 million cycles. In this test a model 1010-10kg load cell was used. A dead load of 2.5kg was mounted 150mm from the mounting centre. A 4.5kg impact was applied at that point at a rate of 8 times/sec.

## ENVIRONMENTAL PROTECTION

The load cell in the model 9010 is completely enclosed in a rugged, electroless nickel plated aluminium or stainless steel housing to withstand splashing. It is environmentally protected to IP65, a special "breather valve" allows atmospheric pressure equalization while excluding splashing liquids.

With an optional addition of a breather tube the protection is rendered IP66. A built-in shut-off valve is used for shipping.

## SETTLING TIME

Settling time is the elapsed time from the instant of loading to the time the load cell's signal remains within the user specified accuracy.

Settling time is affected by the following parameters.

1. Total mass on the module and it's distance from the mounting centre.
2. Impact loading characteristics.
3. Environmental temperature change.

For optimum performance, the above parameters must be specified by the user for each order.



**APPLICATION AND ORDER DATA**

**TO BE COMPLETED BY THE CUSTOMER**

CUSTOMER'S NAME .....ORDER No.....

CONTACT PERSON .....DATE.....

APPLICATION .....No. of UNITS.....

TOTAL TARE WEIGHT (DEAD LOAD) ..... kg; FOR EACH UNIT ..... kg

TOTAL USEFUL WEIGHT (LIVE LOAD)..... kg; FOR EACH UNIT ..... kg

DESCRIBE LIVE LOAD (POWDER, FRUIT, SCREWS ETC).....

REQUIRED SETTLING TIME .....msec; ACCURACY .....

OPERATING TEMPERATURE RANGE °C: .....

MOUANTING THREADS ..... mm (6x1) ..... inch (1/4 UNC)

PREFERRED LOAD CELL, IF ANY .....

1. CHECKWEIGHER (SEE SKETCH BELOW):.....

SIZE OF CONVEYOR PLATFORM:.....

WIDTH ..... cm; A ..... cm; B ..... cm; C ..... cm

SPEED OF BELT ..... cm/sec; SIZE OF WEIGHED PRODUCT IN MOVEMENT DIRECTION..... cm

TARE WEIGHT DISTRIBUTION: CONVEYOR:..... kg; MOTOR:..... kg

2. HOPPER OR OTHER APPLICATION (SEE SKETCH BELOW):.....

CENTER OF GRAVITY (CofG) OF DEAD LOAD, (ESTIMATE IF NECESSARY): D ..... cm; F..... cm

LOADING POSITION: D ..... cm; F..... cm; DROP HEIGHT:..... cm

IF LOAD CofG VAIRES, MAX DIST. BETWEEN EXTREMES..... cm

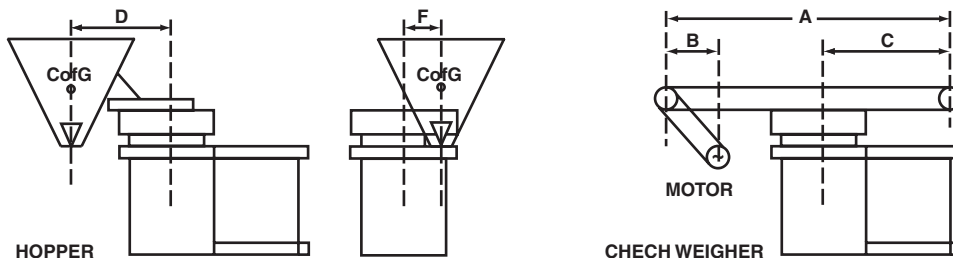
**SPECIAL REQUIREMENTS**

CABLE LENGTH IF NOT STANDARD (1 m) .....; DELIVERY REQUESTED .....

CORNERS ACCURACY: TEST WIGHT (MAX. ALLOWED 1/3 OF LOAD CELL CAPACITY) ..... kg

DISTANCE FROM CENTER ..... cm VARIATION ALLOWED .....

**DEFINITION OF LOADING POSITION RELATIVE TO 9010**



### SPECIFICATIONS

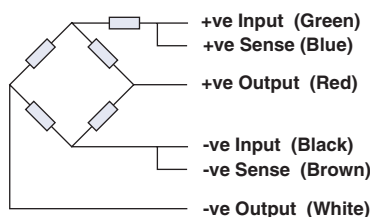
PARAMETER	VALUE	UNIT
Rated capacity-R.C.	3, 5, 7, 10, 15, 20, 30, 50, 90	kg
VT Accuracy class	G	
Maximum no. of intervals (n)	3000	
Rated output-R.O.	2.0	mV/V
Rated output tolerance	0.2	±mV/V
Total error*	0.030	±% of R.O.
Temperature effect on span*	0.002	±% of R.O./°C
Temperature effect on zero: load cell	0.004	±% of load/°C
buoyancy	0.15	+gr/°C rise
tare offset	0.25 x tare offset (kg)	+gr/°C rise
Temperature range - standard*	10 to 30	°C
Tare offset ranges	0 to 35	kg
Safe static overload		
downward at mounting centre	800	% of R.C.
upward at mounting centre	400	% of R.C.
200mm in front or side of mounting centre	200	% of R.C.
Settling time - typical	40 - 300	millisecond
Temperature effect on settling time	2	%/°C
Excitation, recommended	10	Vdc or Vac rms
Excitation, maximum	15	Vdc or Vac rms
Input impedance	415±15	Ohms
Output impedance	350±5	Ohms
Insulation resistance	>5000	MegaOhms
Weight	3	kg
Construction	Anodized body, electroless nickel plating**	
Environmental protection	IP65***	

\* Extended temperature ranges and smaller temperature effects are available upon request.

\*\* Optional stainless steel coating available upon request.

\*\*\* IP66 available with additional breather tube.

### Wiring Schematic Diagram



### VISHAY TRANSDUCERS (VT) SALES OFFICES

**VT Americas**  
**City of Industry, CA**  
 PH: +1-626-858-8899  
 FAX: +1-626-332-3418  
 vt.us@vishaymg.com

**VT Netherlands**  
**Breda**  
 PH: +31-76-548-0700  
 FAX: +31-76-541-2854  
 vt.nl@vishaymg.com

**VMG UK**  
**Basingstoke**  
 PH: +44-125-646-2131  
 FAX: +44-125-647-1441  
 vt.uk@vishaymg.com

**VMG Israel**  
**Netanya**  
 PH: +972-9-863-8888  
 FAX: +972-9-863-8800  
 vt.il@vishaymg.com

**VMG Germany**  
**Heilbronn**  
 PH: +49-7131-3901-260  
 FAX: +49-7131-3901-2666  
 vt.de@vishaymg.com

**VT China**  
**Tianjin**  
 PH: +86-22-2835-3503  
 FAX: +86-22-2835-7261  
 vt.prc@vishaymg.com

**VMG France**  
**Chartres**  
 PH: +33-2-37-33-31-20  
 FAX: +33-2-37-33-31-29  
 vt.fr@vishaymg.com

**VT Taiwan\***  
**Taipei**  
 PH: +886-2-2696-0168  
 FAX: +886-2-2696-4965  
 vt.roc@vishaymg.com  
 \*Asia except China