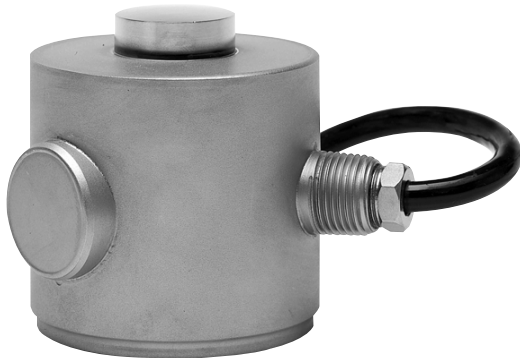




Stainless Steel, Multi-Column Compression Load Cell



FEATURES

- Capacity ranges of 25,000 to 200,000 pounds, 10 to 100 metric tons
- Stainless steel, welded seal construction
- Single piece multi-column design
- 3 times more side load capacity than other designs
- Integral conduit adaptor
- 35 feet [10.7m] standard cable length
- Trade certified for NTEP Class III: 5000d, IIIL: 10000d and OIML R-60 3000d
- Welded *Sensorgage*™ sealed to IP67 standards

DESCRIPTION

The 65088 is a high capacity, low profile, stainless steel compression load cell.

The unique four column design offers excellent insensitivity to eccentric loads. This design is one of the most successful compression cells ever produced and is suitable for use in truck scales, rail scales and high capacity silo weighing applications.

This product's stainless steel construction, welded seals and IP67 rating ensures ultimate survivability under harsh conditions.

This load cell is rated intrinsically safe by the Factory Mutual System (FM); making it suitable for use in potentially explosive environments. This load cell is certified for Legal For Trade applications by both American NTEP and International OIML standards.

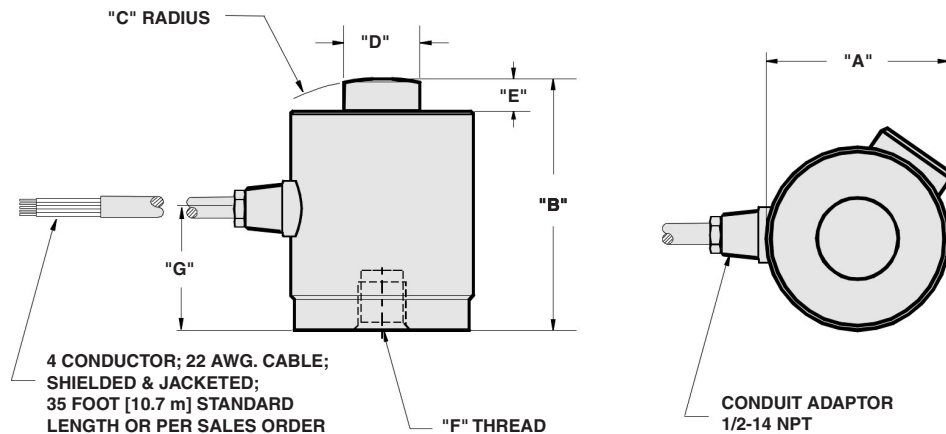
APPLICATIONS

- Truck scales
- Railroad track scales
- Tank, bin and hopper weighing

OUTLINE DIMENSIONS in inches [mm]

Wiring

+ Excitation	Green
- Excitation	Black
+ Output	White
- Output	Red



CAPACITY	A	B	C	D	E	F	G
25K, 50K	3.00	3.25	6.00	1.25	0.40	1/2-20 UNF - 2B x .31 Deep	1.68
100K	4.00	5.00	6.00	2.31	0.51	3/4-16 UNF - 2B x .56 Deep	2.49
200K	6.00	7.25	17.00	3.13	1.04	3/4-16 UNF - 2B x .75 Deep	3.28
[10t, 25t]	[76.2]	[82.6]	[152.4]	[31.7]	[10.2]	[M12 x 1.75 - 6H x 8 Deep]	[42.7]
[40t, 50t]	[101.6]	[127.0]	[152.4]	[58.7]	[13.0]	[M20 x 2.5 - 6H x 14 Deep]	[63.2]
[100t]	[152.4]	[184.2]	[431.8]	[79.5]	[26.4]	[M20 x 2.5 - 6H x 19 Deep]	[83.3]

Capacities are in pounds [kg/t].

Model 65088

Vishay Sensortronics

Stainless Steel, Multi-Column
Compression Load Cell



SPECIFICATIONS

PARAMETER	VALUE				UNIT
Rated capacity-R.C. (E_{max})	25K, 50K, 100K, 200K 10t, 25t, 40t, 50t, 100t				lbs metric tons
NTEP/OIML Accuracy class	NTEP III	NTEP IIIIL	Standard	OIML R60	
Maximum no. of intervals (n)	5000 multiple	10000 multiple		3000	
$Y = E_{max}/V_{min}$	NTEP Cert. No. 95-134			8333	Maximum available
Rated output-R.O.	2				mV/V
Rated output tolerance	0.25				±% mV/V
Zero balance	≤1.0				±% FSO
Combined error	0.02	0.02	0.03	0.02	±% FSO
Non-repeatability	0.01				±% FSO
Creep error (20 minutes)	0.025	0.03	0.03	0.017	±% FSO
Temperature effect on zero	0.0010	0.0010	0.0015	0.0010	±% FSO
Temperature effect on output	0.0008	0.0008	0.0008	0.0007	±% FSO/°F
Compensated temperature range	14 to 104 (-10 to 40)				°F (°C)
Operating temperature range	0 to 150 (-18 to 65)				°F (°C)
Storage temperature range	-60 to 185 (-50 to 85)				°F (°C)
Safe sideload	30				% of R.C.
Maximum safe central overload	150				% of R.C.
Ultimate central overload	400				% of R.C.
Excitation, recommended	5 - 20				Vdc or Vac rms
Excitation, maximum	25				Vdc or Vac rms
Input impedance	445.5 - 454.5				Ω
Output impedance	475.2 - 484.8				Ω
Insulation resistance at 50VDC	>1000				MΩ
Material	Stainless steel				
Environmental protection	IP67				

FSO - Full Scale Output

R.C. - Rated Capacity

All specifications subject to change without notice.

VISHAY TRANSDUCERS (VT) SALES OFFICES

VT Americas
City of Industry, CA
PH: +1-626-858-8899
FAX: +1-626-332-3418
vt.us@vishaymg.com

VT Netherlands
Breda
PH: +31-76-548-0700
FAX: +31-76-541-2854
vt.nl@vishaymg.com

VMG UK
Basingstoke
PH: +44-125-646-2131
FAX: +44-125-647-1441
vt.uk@vishaymg.com

VMG Israel
Netanya
PH: +972-9-863-8888
FAX: +972-9-863-8800
vt.il@vishaymg.com

VMG Germany
Heilbronn
PH: +49-7131-3901-260
FAX: +49-7131-3901-2666
vt.de@vishaymg.com

VT China
Tianjin
PH: +86-22-2835-3503
FAX: +86-22-2835-7261
vt.prc@vishaymg.com

VMG France
Chartres
PH: +33-2-37-33-31-20
FAX: +33-2-37-33-31-29
vt.fr@vishaymg.com

VT Taiwan*
Taipei
PH: +886-2-2696-0168
FAX: +886-2-2696-4965
vt.roc@vishaymg.com
*Asia except China



Notice

Specifications of the products displayed herein are subject to change without notice. Vishay Intertechnology, Inc., or anyone on its behalf, assumes no responsibility or liability for any errors or inaccuracies.

Information contained herein is intended to provide a product description only. No license, express or implied, by estoppel or otherwise, to any intellectual property rights is granted by this document. Except as provided in Vishay's terms and conditions of sale for such products, Vishay assumes no liability whatsoever, and disclaims any express or implied warranty, relating to sale and/or use of Vishay products including liability or warranties relating to fitness for a particular purpose, merchantability, or infringement of any patent, copyright, or other intellectual property right.

The products shown herein are not designed for use in medical, life-saving, or life-sustaining applications. Customers using or selling these products for use in such applications do so at their own risk and agree to fully indemnify Vishay for any damages resulting from such improper use or sale.