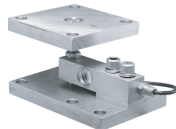
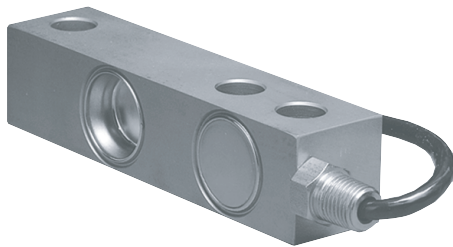


Stainless Steel, Welded Seal Shear Beam Load Cell



65080-TWA


FEATURES

- Rated capacities of 1000 to 20,000 pounds
- Stainless steel, welded seal construction
- Trade certified for NTEP Class III L 10000 and III 5000 divisions and OIML R-60 3000 divisions
- Hostile or clean environment
- *Sensorgage™* sealed to IP67 standards
- Factory Mutual System approved for Classes I, II, III; Divisions 1 and 2; Groups A through G. Also, non-incendive ratings (No barriers!).

OPTIONAL FEATURES

- Companion weigh module available
65080 Stainless Steel *TantaMount*
- Extended temperature ranges available
- Integral conduit adaptor with teflon jacketed cable available

DESCRIPTION

Model 65083 provides the weighing industry with excellent protection necessary for today's hostile environments in an economical low profile range suitable for platform scale manufacture.

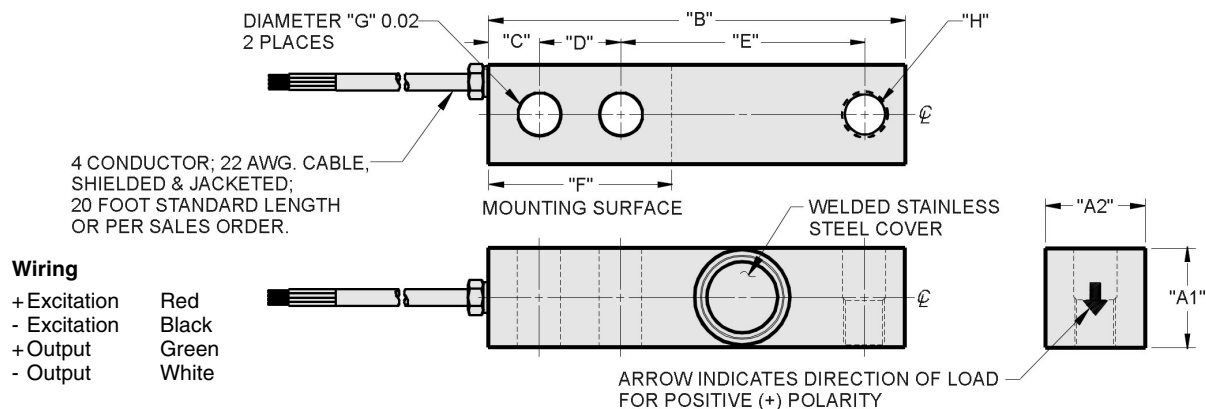
Its low profile and all welded sealing combined with high accuracy makes this load cell ideally suited for low profile platforms, pallet truck weighers, tanks and silos. The guide slots incorporated into the upper and lower mounting faces enable manufacturers to easily position the load cell.

Hermetically sealed against moisture, the construction of the model 65083 in combination with a polyurethane dual shielded cable, enables continuous operation in harsh environments while maintaining a high operating specification.

The two additional sense wires feed back the voltage reaching the load cell. Complete compensation of changes in lead resistance due to temperature change and/or cable extension, is achieved by feeding this voltage into the appropriate electronics.

APPLICATIONS

- Hostile environments:
Food & beverage processing
Chemical and plastics processing
Pharmaceutical and biomedical processing
- Tank, bin and hopper weighing
- Batching, blending and mixing systems

OUTLINE DIMENSIONS in inches


CAPACITY	A1	A2	B	C	D	E	F	G	H	DEFLECTION	WEIGHT
1K - 4K	1.22	1.22	5.12	0.62	1.00	3.00	2.25	0.53	1/2-20 UNF-2B, Ø 0.53 x 0.61 DEEP C'BORE	0.008 - 0.026	4.0
5K - SE*	1.22	1.22	5.12	0.62	1.00	3.00	2.25	0.53	1/2-20 UNF-2B, Ø 0.53 x 0.61 DEEP C'BORE	0.008 - 0.026	4.0
5K - 10K	1.50	1.50	6.75	0.75	1.50	3.75	3.00	0.78	3/4-16 UNF-2B, Ø 0.78 x 0.75 DEEP C'BORE	0.030 - 0.055	6.5
15K - 20K	2.00	2.00	8.75	1.00	2.00	4.88	4.00	1.06	1-14 UNS-2B, Ø 1.06 x 1.00 DEEP C'BORE	0.025 - 0.032	9.0

Capacities are in pounds. Deflection is ±10%. Certified drawings are available.

*SE denotes "Small Envelope". A 5K capacity is available in the 1K/4K dimensional envelope.

Model 65083

Vishay Sensortronics

Stainless Steel, Welded Seal
Shear Beam Load Cell



SPECIFICATIONS

PARAMETER	VALUE				UNIT	
Rated capacity-R.C. (E_{max})	500, 1K, 1.5K, 2K, 4K, 5K, 10K, 15K, 20K* 250kg, 500kg, 750kg, 1t, 2t, 5t, 10t*				lbs kg/metric tons	
NTEP/OIML Accuracy class	NTEP III	NTEP IIII	Standard	OIML R60		
Maximum no. of intervals (n)	5000 single	10000 multiple		3000*		
$Y = E_{max}/V_{min}$	NTEP Cert. No. 98-175				8333	Maximum available
Rated output-R.O.	2.0	2.0	3.0	2.0	mV/V	
Rated output tolerance	0.25				±% mV/V	
Zero balance	1.0				±% FSO	
Combined error	0.02	0.02	0.03	0.02	±% FSO	
Non-repeatability	0.1				±% FSO	
Creep error (30 minutes)	0.025	0.03	0.03	0.017	±% FSO	
Temperature effect on zero	0.0010	0.0010	0.0015	0.0010	±% FSO/°F	
Temperature effect on output	0.0008	0.0008	0.0008	0.0007	±% of load/°F	
Compensated temperature range	14 to 104 (-10 to 40)				°F (°C)	
Operating temperature range	0 to 150 (-18 to 65)				°F (°C)	
Storage temperature range	-60 to 185 (-50 to 85)				°F (°C)	
Sideload rejection ratio	500:1					
Safe sideload	100				% of R.C.	
Maximum safe central overload	150				% of R.C.	
Ultimate central overload	300				% of R.C.	
Excitation, recommended	10				Vdc or Vac rms	
Excitation, maximum	15				Vdc or Vac rms	
Input impedance	343 - 357				Ω	
Output impedance	349 - 355				Ω	
Insulation resistance at 50VDC	>1000				MΩ	
Material	Stainless steel					
Environmental protection	IP68					
Recommended torque	All capacities up to 5000kg - 136.0 5000kg - 205.0				N*m	

Note: * OIML approval 1-10K & 500-5000kg only
NTEP approval 1-10Klbs only (kg/metric capacities are not approved)
FSO - Full Scale Output

All specifications subject to change without notice.

VISHAY TRANSDUCERS (VT) SALES OFFICES

VT Americas
City of Industry, CA
PH: +1-626-858-8899
FAX: +1-626-332-3418
vt.us@vishaymg.com

VT Netherlands
Breda
PH: +31-76-548-0700
FAX: +31-76-541-2854
vt.nl@vishaymg.com

VMG UK
Basingstoke
PH: +44-125-646-2131
FAX: +44-125-647-1441
vt.uk@vishaymg.com

VMG Israel
Netanya
PH: +972-9-863-8888
FAX: +972-9-863-8800
vt.il@vishaymg.com

VMG Germany
Heilbronn
PH: +49-7131-3901-260
FAX: +49-7131-3901-2666
vt.de@vishaymg.com

VT China
Tianjin
PH: +86-22-2835-3503
FAX: +86-22-2835-7261
vt.prc@vishaymg.com

VMG France
Chartres
PH: +33-2-37-33-31-20
FAX: +33-2-37-33-31-29
vt.fr@vishaymg.com

VT Taiwan*
Taipei
PH: +886-2-2696-0168
FAX: +886-2-2696-4965
vt.roc@vishaymg.com
*Asia except China



Notice

Specifications of the products displayed herein are subject to change without notice. Vishay Intertechnology, Inc., or anyone on its behalf, assumes no responsibility or liability for any errors or inaccuracies.

Information contained herein is intended to provide a product description only. No license, express or implied, by estoppel or otherwise, to any intellectual property rights is granted by this document. Except as provided in Vishay's terms and conditions of sale for such products, Vishay assumes no liability whatsoever, and disclaims any express or implied warranty, relating to sale and/or use of Vishay products including liability or warranties relating to fitness for a particular purpose, merchantability, or infringement of any patent, copyright, or other intellectual property right.

The products shown herein are not designed for use in medical, life-saving, or life-sustaining applications. Customers using or selling these products for use in such applications do so at their own risk and agree to fully indemnify Vishay for any damages resulting from such improper use or sale.