

Tantamount Weigh Module



FEATURES

- Capacity ranges of 250 to 20,000 pounds
- Mounts directly to floor or structural support
- Integral height adjustment for easy load balancing
- Articulating mounting plate accommodates non-planar misalignments of up to 4°
- Employs 65023/65083 shear beam design load cell
- High output - well suited to high deadload/low liveload situations
- Trade certified load cells for NTEP Class III: 10000 divisions; Class III: 5000 divisions and OIML R60 3000 divisions
- *Sensorgage™* sealed to IP67 standards
- Factory Mutual System Approved for Classes I, II, III; Divisions 1 and 2; Groups A through G. Also, non-incendive ratings (No barriers!).

DESCRIPTION

The 65082 is low to mid capacity alloy steel weighing assembly.

This product simply and easily converts any industrial tank, table, or platform into a high accuracy scale. The 65082 weighing assembly is shipped pre-assembled and ready to bolt between the support legs of a platform, tank, or container and the concrete floor. The load cell is available in nickel plated construction and sealed to IP67 standards, assuring reliability in industrial

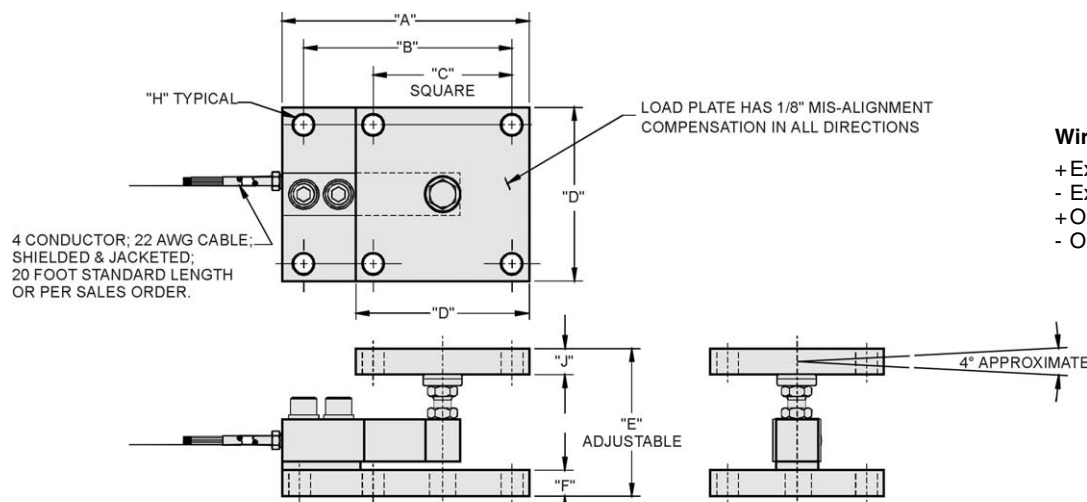
and wash down applications. The assembly is available only with zinc plating for corrosion resistance.

This weighing assembly is rated intrinsically safe by the Factory Mutual System (FM); making it suitable for use in potentially explosive environments. This weighing assembly is certified for Legal For Trade applications by both American NTEP and International OIML standards.

APPLICATIONS

- Tank, bin and hopper weighing
- Batching, blending and mixing
- “Legal for Trade”

OUTLINE DIMENSIONS in inches



Wiring

+ Excitation	Red
- Excitation	Black
+ Output	Green
- Output	White

CAPACITY	A	B	C	D	E	F	H	J	WEIGHT
250 - 4K	7.12	6.00	4.00	5.00	4.00 - 4.50	0.70	0.63	0.70	17.0
5K - 10K	8.50	7.00	4.00	5.00	5.00 - 5.50	0.94	0.63	0.94	30.0
15K - 20K	10.88	9.13	4.50	6.00	7.00 - 7.50	1.44	0.88	1.20	47.0

Capacities are in pounds.



SPECIFICATIONS

PARAMETER	VALUE				UNIT
Rated capacity-R.C. (E_{max})	250, 500, 1K, 1.5K, 2K, 2.5K, 4K, 5K, 10K, 15K, 20K*				lbs
NTEP/OIML Accuracy class	NTEP III	NTEP IIII	Standard	OIML R60	
Maximum no. of intervals (n)	5000 multiple	10000 multiple		3000	
$Y = E_{max}/V_{min}$	See NTEP cert. 86-044A2			8333	Maximum available
Rated output-R.O.	3.0				mV/V
Rated output tolerance	0.25				±% mV/V
Zero balance	1.0				±% FSO
Combined error	0.02	0.02	0.03	0.02	±% FSO
Non-repeatability	0.01	0.01	0.01	0.01	±% FSO
Creep error (30 minutes)	0.025	0.03	0.03	0.017	±% FSO
Temperature effect on zero	0.0010	0.0010	0.0015	0.0010	±% FSO/°F
Temperature effect on output	0.0008	0.0008	0.0008	0.0007	±% of load/°F
Compensated temperature range	14 to 104 (-10 to 40)				°F (°C)
Operating temperature range	0 to 150 (-18 to 65)				°F (°C)
Storage temperature range	-60 to 185 (-50 to 85)				°F (°C)
Sideload rejection ratio	500:1				
Safe sideload	100				% of R.C.
Maximum safe central overload	150				% of R.C.
Ultimate central overload	300				% of R.C.
Excitation, recommended	10				Vdc or Vac rms
Excitation, maximum	15				Vdc or Vac rms
Input impedance	343 - 357				Ω
Output impedance	349 - 355				Ω
Insulation resistance at 50VDC	>1000				MΩ
Material	Nickel plated alloy tool steel				
Material assembly	Zinc plated steel				
Environmental protection	IP67				
Recommended torque	All capacities up to 10Klbs - 136.0 Over 10Klbs - 205.0				N*m

* OIML approval 1-10Klbs only

FSO - Full Scale Output

VISHAY TRANSDUCERS (VT) SALES OFFICES

VT Americas
City of Industry, CA
PH: +1-626-858-8899
FAX: +1-626-332-3418
vt.us@vishaymg.com

VT Netherlands
Breda
PH: +31-76-548-0700
FAX: +31-76-541-2854
vt.nl@vishaymg.com

VMG UK
Basingstoke
PH: +44-125-646-2131
FAX: +44-125-647-1441
vt.uk@vishaymg.com

VMG Israel
Netanya
PH: +972-9-863-8888
FAX: +972-9-863-8800
vt.il@vishaymg.com

VMG Germany
Heilbronn
PH: +49-7131-3901-260
FAX: +49-7131-3901-2666
vt.de@vishaymg.com

VT China
Tianjin
PH: +86-22-2835-3503
FAX: +86-22-2835-7261
vt.prc@vishaymg.com

VMG France
Chartres
PH: +33-2-37-33-31-20
FAX: +33-2-37-33-31-29
vt.fr@vishaymg.com

VT Taiwan*
Taipei
PH: +886-2-2696-0168
FAX: +886-2-2696-4965
vt.roc@vishaymg.com
*Asia except China



Notice

Specifications of the products displayed herein are subject to change without notice. Vishay Intertechnology, Inc., or anyone on its behalf, assumes no responsibility or liability for any errors or inaccuracies.

Information contained herein is intended to provide a product description only. No license, express or implied, by estoppel or otherwise, to any intellectual property rights is granted by this document. Except as provided in Vishay's terms and conditions of sale for such products, Vishay assumes no liability whatsoever, and disclaims any express or implied warranty, relating to sale and/or use of Vishay products including liability or warranties relating to fitness for a particular purpose, merchantability, or infringement of any patent, copyright, or other intellectual property right.

The products shown herein are not designed for use in medical, life-saving, or life-sustaining applications. Customers using or selling these products for use in such applications do so at their own risk and agree to fully indemnify Vishay for any damages resulting from such improper use or sale.