

# Stainless Steel, Welded Seal Tantamount Weigh Module



## FEATURES

- Capacity ranges of 1000 to 20,000 pounds
- Mounts directly to the floor or structural support
- Integral height adjustment for easy load balancing
- Articulating mounting plate accommodates non-planar misalignments of up to 4°
- Mounting plates allow for thermal expansion/contraction
- Employs 65083 stainless steel, welded seal load cell
- Trade certified load cells for NTEP Class III: 10000 divisions; Class III: 5000 divisions and OIML R60 3000 divisions in 1000 to 10000 pound range available
- High output - well suited to high deadload/low liveload situations
- *Sensorgage™* sealed to IP67 standards
- Factory Mutual System Approved for Classes I, II, III; Divisions 1 and 2; Groups A through G. Also, non-incendive ratings (No barriers!).

## OPTIONAL FEATURES

- Optional hermetically sealed version meets IP68 standards

## DESCRIPTION

The 65080-TWA is a mid capacity stainless steel, welded seal, weighing assembly.

This product simply and easily converts any industrial tank, table, or platform into a high accuracy scale. The 65080 weighing assembly is shipped pre-assembled and ready to bolt between the support legs of a platform, tank, or container and the concrete floor. The top pad of this assembly is height adjustable and is 4 degree tilt adjustable. This adjustable pad simplifies installation by allowing the user to easily adjust the system to his application without using metal shims.

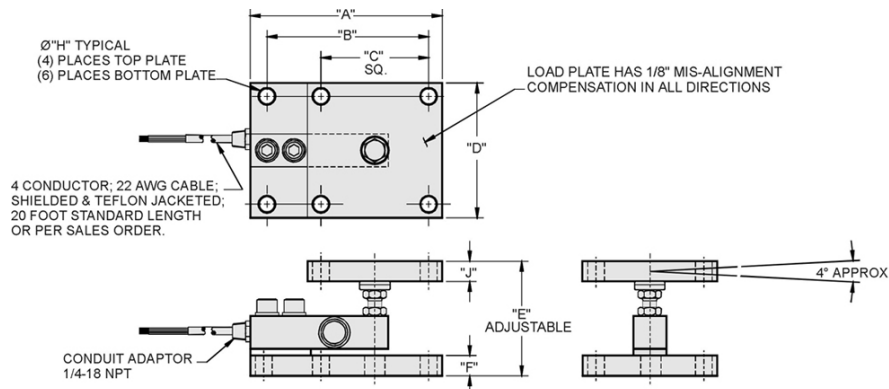
The load cell's stainless steel construction and welded seal assure reliability in harsh industrial and wash down applications. For the harshest environments this load cell can be ordered with IP68 true hermetic sealing and Teflon cable.

This weighing assembly is rated intrinsically safe by the Factory Mutual System (FM); making it suitable for use in potentially explosive environments. This weighing assembly is certified for Legal For Trade applications by both American NTEP and International OIML standards.

## APPLICATIONS

- Hostile environments:
  - Food & beverage processing
  - Chemical and plastics processing
  - Pharmaceutical and biomedical processing
- Washdown
- Tank and reactor weighing
- Batching, blending and mixing

## OUTLINE DIMENSIONS in inches



### Wiring

- + Excitation = Red;
- Excitation = Black;
- + Output = Green;
- Output = White

CAPACITY	A	B	C	D	E	F	H	J	WEIGHT
1K - 4K	7.12	6.00	4.00	5.00	4.00 - 4.50	0.70	0.63	0.70	17.0
5K - 10K	8.50	7.00	4.00	5.00	5.00 - 5.50	0.94	0.63	0.94	25.0
15K - 20K	10.88	9.13	4.50	6.00	7.00 - 7.50	1.44	0.88	1.20	49.0

Capacities are in pounds.

# Model 65080

Vishay Sensortronics

Stainless Steel, Welded Seal  
Tantamount Weigh Module



## SPECIFICATIONS

PARAMETER	VALUE				UNIT
Rated capacity-R.C. ( $E_{max}$ )	1K, 1.5K, 2K, 4K, 5K, 10K, 15K, 20K				lbs
NTEP/OIML Accuracy class	NTEP III	NTEP IIIIL	Standard	OIML R60	
Maximum no. of intervals (n)	5000 single	10000 multiple		3000*	
$Y = E_{max}/V_{min}$	See NTEP cert. 98-175			8333	Maximum available
Rated output-R.O.	2.0	2.0	3.0	2.0	mV/V
Rated output tolerance	0.25				±% mV/V
Zero balance	1.0				±% FSO
Combined error	0.02	0.02	0.03	0.02	±% FSO
Non-repeatability	0.01	0.01	0.01	0.01	±% FSO
Creep error (30 minutes)	0.025	0.03	0.03	0.017	±% FSO
Temperature effect on zero	0.0010	0.0010	0.0015	0.0010	±% FSO/°F
Temperature effect on output	0.0008	0.0008	0.0008	0.0007	±% of load/°F
Compensated temperature range	14 to 104 (-10 to 40)				°F (°C)
Operating temperature range	0 to 150 (-18 to 65)				°F (°C)
Storage temperature range	-60 to 185 (-50 to 85)				°F (°C)
Sideload rejection ratio	500:1				
Safe sideload	30				% of R.C.
Maximum safe central overload	150				% of R.C.
Ultimate central overload	300				% of R.C.
Excitation, recommended	10				Vdc or Vac rms
Excitation, maximum	15				Vdc or Vac rms
Input impedance	343 - 357				Ω
Output impedance	349 - 355				Ω
Insulation resistance at 50VDC	>1000				MΩ
Material	Stainless steel				
Environmental protection	IP68				
Recommended torque	All capacities up to 10Klbs - 136.0 Over 10Klbs - 205.0				N*m

\* OIML approval 1-10K only

FSO - Full Scale Output

## VISHAY TRANSDUCERS (VT) SALES OFFICES

**VT Americas**  
City of Industry, CA  
PH: +1-626-858-8899  
FAX: +1-626-332-3418  
vt.us@vishaymg.com

**VT Netherlands**  
Breda  
PH: +31-76-548-0700  
FAX: +31-76-541-2854  
vt.nl@vishaymg.com

**VMG UK**  
Basingstoke  
PH: +44-125-646-2131  
FAX: +44-125-647-1441  
vt.uk@vishaymg.com

**VMG Israel**  
Netanya  
PH: +972-9-863-8888  
FAX: +972-9-863-8800  
vt.il@vishaymg.com

**VMG Germany**  
Heilbronn  
PH: +49-7131-3901-260  
FAX: +49-7131-3901-2666  
vt.de@vishaymg.com

**VT China**  
Tianjin  
PH: +86-22-2835-3503  
FAX: +86-22-2835-7261  
vt.prc@vishaymg.com

**VMG France**  
Chartres  
PH: +33-2-37-33-31-20  
FAX: +33-2-37-33-31-29  
vt.fr@vishaymg.com

**VT Taiwan\***  
Taipei  
PH: +886-2-2696-0168  
FAX: +886-2-2696-4965  
vt.roc@vishaymg.com  
\*Asia except China



## Notice

Specifications of the products displayed herein are subject to change without notice. Vishay Intertechnology, Inc., or anyone on its behalf, assumes no responsibility or liability for any errors or inaccuracies.

Information contained herein is intended to provide a product description only. No license, express or implied, by estoppel or otherwise, to any intellectual property rights is granted by this document. Except as provided in Vishay's terms and conditions of sale for such products, Vishay assumes no liability whatsoever, and disclaims any express or implied warranty, relating to sale and/or use of Vishay products including liability or warranties relating to fitness for a particular purpose, merchantability, or infringement of any patent, copyright, or other intellectual property right.

The products shown herein are not designed for use in medical, life-saving, or life-sustaining applications. Customers using or selling these products for use in such applications do so at their own risk and agree to fully indemnify Vishay for any damages resulting from such improper use or sale.