

## Stainless Steel, Welded Seal Double-Ended Shear Beam Load Cell



### FEATURES

- Rated capacities of 10,000 to 100,000 pounds
- Stainless steel, welded seal construction
- Center-link recessed pivot load
- Insensitive to side loads and bending moments
- Load cells have matched outputs for multi-cell systems
- Integral conduit adaptor
- Trade certified for NTEP Class III: 5000 divisions and Class IIIIL: 10000 divisions
- *Sensorgage*™ sealed to IP68 standards
- Factory Mutual System Approved for Classes I, II, III; Divisions 1 and 2; Groups A through G. Also, non-incendive ratings (No barriers!).

### OPTIONAL FEATURES

- 65058-TSA companion assemblies for vehicle scales
- 65069-TWA companion assemblies for vessel weighing

### DESCRIPTION

Model 65058S is specifically designed to be installed in extremely harsh environments. It is specially suitable for the process industry of food, chemical and pharmaceutical industries.

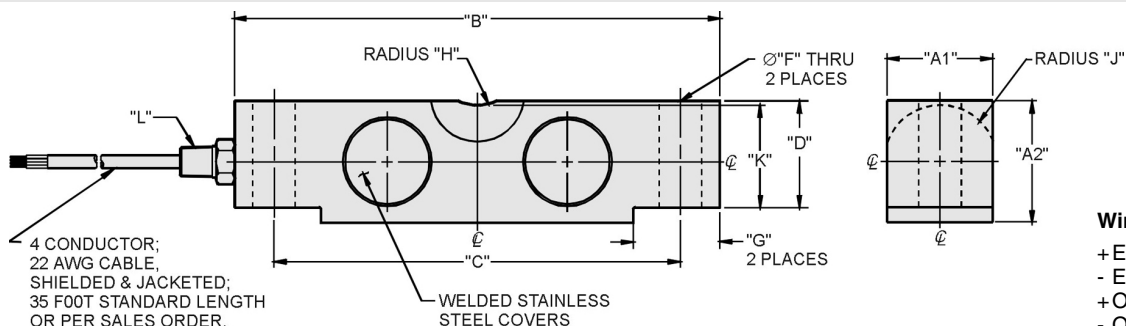
Protected to meet IP68 requirements, the construction of the 65058S load cell uses double - redundant sealing methods, to ensure long and reliable service and constant calibration.

The additional sense wires compensate for changes in lead resistance due to temperature change and/or cable extension. Complete compensation of changes in lead resistance is achieved by feeding this voltage into the appropriate electronics.

### APPLICATIONS

- Hostile environments: Food and beverage processing  
Chemical processing  
Pharmaceutical and biomedical processing
- High performance weighing modules and assemblies
- Tank and reactor weighing
- Batching, blending and mixing systems

### OUTLINE DIMENSIONS in inches



CAPACITY	A1	A2	B	C	D	F	G	H	J	K	K
10K - 25K	1.69	1.94	7.75	6.50	1.70	0.68	1.38	0.75	0.90	1.63	1/4-18 NPT
40K	1.94	2.44	10.25	8.50	2.10	0.81	1.93	1.00	1.12	2.00	1/4-18 NPT
50K - 75K	2.44	2.94	10.25	8.50	2.65	1.06	1.93	1.00	1.37	2.54	1/2-14 NPT
100K	2.44	3.44	10.25	8.50	2.65	1.06	1.93	1.00	1.37	2.54	1/2-14 NPT

Capacities are in pounds.

# Model 65058S

Vishay Sensortronics

Stainless Steel, Welded Seal  
Double-Ended Shear Beam Load Cell



## SPECIFICATIONS

PARAMETER	VALUE			UNIT
Rated capacity-R.C. ( $E_{max}$ )	10K, 25K, 40K, 50K, 60K, 75K, 100K*			lbs
NTEP/OIML Accuracy class	NTEP III	NTEP IIIIL	Standard	
Maximum no. of intervals (n)	5000 multiple	10000 multiple		
$Y = E_{max}/V_{min}$	See NTEP cert. 86-046A3			Maximum available
Rated output-R.O.	3.0			mV/V
Rated output tolerance	$\pm 0.25$			$\pm\%$ mV/V
Zero balance	1.0			$\pm\%$ FSO
Combined error	0.02	0.02	0.03	$\pm\%$ FSO
Non-repeatability	0.01			$\pm\%$ FSO
Creep error (20 minutes)	0.030	0.030	0.03	$\pm\%$ FSO
Temperature effect on zero	0.0015	0.0010	0.0015	$\pm\%$ FSO/ $^{\circ}$ F
Temperature effect on output	0.0008	0.0008	0.0008	$\pm\%$ of load/ $^{\circ}$ F
Compensated temperature range	14 to 104 (-10 to 40)			$^{\circ}$ F ( $^{\circ}$ C)
Operating temperature range	0 to 150 (-18 to 65)			$^{\circ}$ F ( $^{\circ}$ C)
Storage temperature range	-60 to 185 (-50 to 85)			$^{\circ}$ F ( $^{\circ}$ C)
Sideload rejection ratio	500:1			
Safe sideload	100			% of R.C.
Maximum safe central overload	150			% of R.C.
Ultimate central overload	300			% of R.C.
Excitation, recommended	10			Vdc or Vac rms
Excitation, maximum	25			Vdc or Vac rms
Input impedance	686 - 714			$\Omega$
Output impedance	699 - 707			$\Omega$
Insulation resistance at 50VDC	>1000			M $\Omega$
Material	Stainless steel			
Environmental protection	IP68			

\* NTEP approval 20-200Klbs only  
FSO - Full Scale Output

All specifications subject to change without notice.

## VISHAY TRANSDUCERS (VT) SALES OFFICES

**VT Americas**  
City of Industry, CA  
PH: +1-626-858-8899  
FAX: +1-626-332-3418  
vt.us@vishaymg.com

**VT Netherlands**  
Breda  
PH: +31-76-548-0700  
FAX: +31-76-541-2854  
vt.nl@vishaymg.com

**VMG UK**  
Basingstoke  
PH: +44-125-646-2131  
FAX: +44-125-647-1441  
vt.uk@vishaymg.com

**VMG Israel**  
Netanya  
PH: +972-9-863-8888  
FAX: +972-9-863-8800  
vt.il@vishaymg.com

**VMG Germany**  
Heilbronn  
PH: +49-7131-3901-260  
FAX: +49-7131-3901-2666  
vt.de@vishaymg.com

**VT China**  
Tianjin  
PH: +86-22-2835-3503  
FAX: +86-22-2835-7261  
vt.prc@vishaymg.com

**VMG France**  
Chartres  
PH: +33-2-37-33-31-20  
FAX: +33-2-37-33-31-29  
vt.fr@vishaymg.com

**VT Taiwan\***  
Taipei  
PH: +886-2-2696-0168  
FAX: +886-2-2696-4965  
vt.roc@vishaymg.com  
\*Asia except China



## Notice

Specifications of the products displayed herein are subject to change without notice. Vishay Intertechnology, Inc., or anyone on its behalf, assumes no responsibility or liability for any errors or inaccuracies.

Information contained herein is intended to provide a product description only. No license, express or implied, by estoppel or otherwise, to any intellectual property rights is granted by this document. Except as provided in Vishay's terms and conditions of sale for such products, Vishay assumes no liability whatsoever, and disclaims any express or implied warranty, relating to sale and/or use of Vishay products including liability or warranties relating to fitness for a particular purpose, merchantability, or infringement of any patent, copyright, or other intellectual property right.

The products shown herein are not designed for use in medical, life-saving, or life-sustaining applications. Customers using or selling these products for use in such applications do so at their own risk and agree to fully indemnify Vishay for any damages resulting from such improper use or sale.