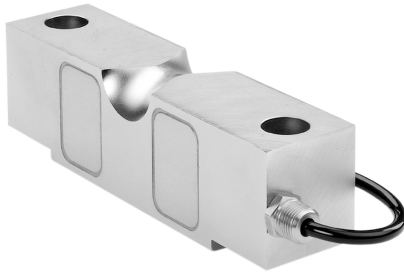


Double-Ended Shear Beam Load Cell



65058-TSA



65069-TWA



FEATURES

- Rated capacities of 10,000 to 100,000 pounds
- Center-link loaded
- Integral conduit adaptor
- Trade certified for NTEP Class III: 10000 divisions; Class III: 5000 divisions and OIML R60 3000 divisions in 20,000 to 200,000 pounds range
- *Sensorgage™* sealed to IP67 standards
- Factory Mutual System Approved for Classes I, II, III; Divisions 1 and 2; Groups A through G. Also, non-incendive ratings (No barriers!).

OPTIONAL FEATURES

- 65058S stainless steel, welded seal version available
- 65058-TSA companion assemblies for vehicle scales
- 65069-TWA companion assemblies for vessel weighing
- Capacities up to 500,000 consult factory

DESCRIPTION

The 65058 is a mid to high capacity, nickel plated alloy steel, double ended Shear beam load cell.

This product is designed for use in certified truck and rail scales and is available in capacities ranging from 10K to 200Klbs.

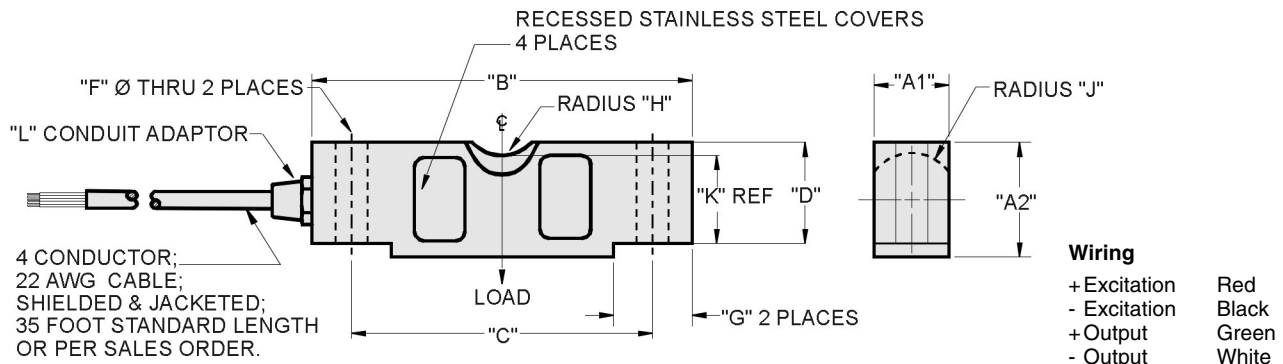
This load cell is rated intrinsically safe by the Factory Mutual System (FM); making it suitable for use in potentially explosive environment.

This load cell is certified for legal for trade applications by both American NTEP and International OIML standards.

APPLICATIONS

- Truck scales
- Railroad track scales
- Precision tank, bin and silo weighing
- Level and inventory monitoring

OUTLINE DIMENSIONS in inches



CAPACITY	A1	A2	B	C	D	F	G	H	J	K	L
10K - 25K	1.69	1.94	7.75	6.50	1.70	0.68	1.38	0.75	0.90	1.63	1/4 - 18 NPT
40K	1.94	2.44	10.25	8.50	2.10	0.81	1.93	1.00	1.12	2.00	1/4 - 18 NPT
50K - 75K	2.44	2.94	10.25	8.50	2.65	1.06	1.93	1.00	1.37	2.54	1/2 - 14 NPT
100K - 125K	2.90	3.86	15.25	12.75	3.43	1.62	3.13	1.50	1.80	3.30	1/2 - 14 NPT
150K - 200K	3.80	5.80	19.25	15.25	5.12	1.62	4.00	2.00	2.37	4.44	1/2 - 14 NPT

Capacities are in pounds.



SPECIFICATIONS

PARAMETER	VALUE				UNIT
Rated capacity-R.C. (E_{max})	10K, 25K, 40K, 50K, 60K, 75K, 100K*				lbs
NTEP/OIML Accuracy class	NTEP III	NTEP IIIIL	Standard	OIML R60	
Maximum no. of intervals (n)	5000 multiple	10000 multiple		3000	
$Y = E_{max}/V_{min}$	See NTEP cert. 86-046A3				6667
Rated output-R.O.	3.0				mV/V
Rated output tolerance	0.25				±% mV/V
Zero balance	1.0				±% FSO
Combined error	0.02	0.02	0.03	0.02	±% FSO
Non-repeatability	0.01	0.01	0.015	0.01	±% FSO
Creep error (30 minutes)	0.025	0.030	0.03	0.017	±% FSO
Temperature effect on zero	0.0010	0.0010	0.0015	0.0010	±% FSO/°F
Temperature effect on output	0.0008	0.0008	0.0008	0.0007	±% of load/°F
Compensated temperature range	14 to 104 (-10 to 40)				°F (°C)
Operating temperature range	0 to 150 (-18 to 65)				°F (°C)
Storage temperature range	-60 to 185 (-50 to 85)				°F (°C)
Sideload rejection ratio	500:1				
Safe sideload	100				% of R.C.
Maximum safe central overload	150				% of R.C.
Ultimate central overload	300				% of R.C.
Excitation, recommended	10				Vdc or Vac rms
Excitation, maximum	25				Vdc or Vac rms
Input impedance	686 - 714				Ω
Output impedance	699 - 707				Ω
Insulation resistance at 50VDC	>1000				MΩ
Material	Nickel plated alloy tool steel**				
Environmental protection	IP67				

* Consult factory for capacities over 100K
NTEP approval 20-200Klbs only

** Stainless steel available - model name is 65058S

FSO - Full Scale Output

All specifications subject to change without notice.

VISHAY TRANSDUCERS (VT) SALES OFFICES

VT Americas
City of Industry, CA
PH: +1-626-858-8899
FAX: +1-626-332-3418
vt.us@vishaymg.com

VT Netherlands
Breda
PH: +31-76-548-0700
FAX: +31-76-541-2854
vt.nl@vishaymg.com

VMG UK
Basingstoke
PH: +44-125-646-2131
FAX: +44-125-647-1441
vt.uk@vishaymg.com

VMG Israel
Netanya
PH: +972-9-863-8888
FAX: +972-9-863-8800
vt.il@vishaymg.com

VMG Germany
Heilbronn
PH: +49-7131-3901-260
FAX: +49-7131-3901-2666
vt.de@vishaymg.com

VT China
Tianjin
PH: +86-22-2835-3503
FAX: +86-22-2835-7261
vt.prc@vishaymg.com

VMG France
Chartres
PH: +33-2-37-33-31-20
FAX: +33-2-37-33-31-29
vt.fr@vishaymg.com

VT Taiwan*
Taipei
PH: +886-2-2696-0168
FAX: +886-2-2696-4965
vt.roc@vishaymg.com
*Asia except China



Notice

Specifications of the products displayed herein are subject to change without notice. Vishay Intertechnology, Inc., or anyone on its behalf, assumes no responsibility or liability for any errors or inaccuracies.

Information contained herein is intended to provide a product description only. No license, express or implied, by estoppel or otherwise, to any intellectual property rights is granted by this document. Except as provided in Vishay's terms and conditions of sale for such products, Vishay assumes no liability whatsoever, and disclaims any express or implied warranty, relating to sale and/or use of Vishay products including liability or warranties relating to fitness for a particular purpose, merchantability, or infringement of any patent, copyright, or other intellectual property right.

The products shown herein are not designed for use in medical, life-saving, or life-sustaining applications. Customers using or selling these products for use in such applications do so at their own risk and agree to fully indemnify Vishay for any damages resulting from such improper use or sale.