

## Stainless Steel, Welded Seal Double-Ended Shear Beam Load Cell



65040 Steel



**FEATURES**

- Rated capacities of 25,000 to 75,000lbs (higher capacities also available)
- Welded seal, stainless steel construction
- Center supported, external pivot loading
- Integral conduit adaptor
- Trade certified for NTEP Class III L:10000 divisions
- *Sensorgage™* sealed to IP68 standards
- Factory Mutual System Approved for Classes I, II, III; Divisions 1 and 2; Groups A through G. Also, non-incendive ratings (No barriers!).

**DESCRIPTION**

The 65040W is a mid to high capacity welded stainless steel, double ended shear beam load cell.

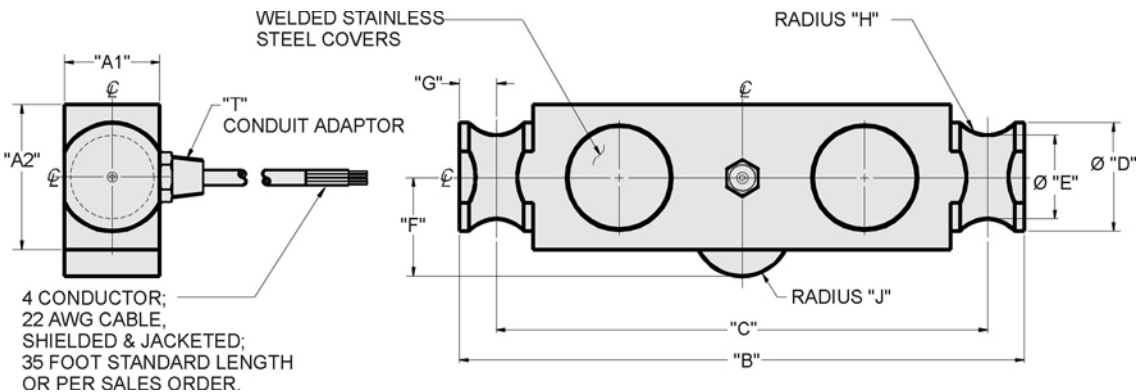
This product is designed for use in certified truck and rail scales and is available in capacities ranging from 25k through 75klbs. (for higher capacities, please consult factory)

This load cell is rated intrinsically safe by the Factory Mutual System (FM); making it suitable for use in potentially explosive environments. This load cell is certified for Legal For Trade applications by American NTEP standards.

**APPLICATIONS**

- Hostile environments: Food and beverage processing  
Chemical and plastics processing  
Pharmaceutical and biomedical processing
- Truck scales
- Railroad track scales

**OUTLINE DIMENSIONS** in inches



**Wiring**

+ Excitation	Red
- Excitation	Black
+ Output	Green
- Output	White

CAPACITY	A1	A2	B	C	D	E	F	G	H	J	T-THREAD
25K - 40K	1.94	2.44	8.25	7.25	2.0	1.63	1.75	0.50	0.50	0.50	1/4-18NPT
50K - 75K	1.94	2.94	11.50	10.00	2.2	1.70	2.00	0.75	0.75	1.00	1/2-14NPT

Capacities are in pounds.

# Model 65040W

Vishay Sensortronics

Stainless Steel, Welded  
Seal Double-Ended Shear Beam Load Cell



## SPECIFICATIONS

PARAMETER	VALUE		UNIT
Rated capacities-R.C. ( $E_{max}$ )	25K, 40K, 50K, 75K*		lbs
NTEP/OIML Accuracy class	NTEP IIII	Standard	
Maximum no. of intervals (n)	10000 multiple		
$Y = E_{max}/V_{min}$	See NTEP cert. 86-045A1		Maximum available
Rated output-R.O.	3.0		mV/V
Rated output tolerance	0.25		±% mV/V
Zero balance	1.0		±% FSO
Combined error	0.02	0.03	±% FSO
Non-repeatability	0.01	0.015	±% FSO
Creep error (30 minutes)	0.025	0.03	±% FSO
Temperature effect on zero	0.0009	0.0015	±% FSO/°F
Temperature effect on output	0.0008	0.0008	±% of load/°F
Compensated temperature range	14 to 104 (-10 to 40)		°F (°C)
Operating temperature range	0 to 150 (-18 to +65)		°F (°C)
Storage temperature range	-60 to 185 (-50 to +85)		°F (°C)
Sideload rejection ratio	500:1		
Safe sideload	100		% of R.C.
Maximum safe central overload	150		% of R.C.
Ultimate central overload	300		% of R.C.
Excitation, recommended	10 - 15		Vdc or Vac rms
Excitation, maximum	25		Vdc or Vac rms
Input impedance	686 - 714		Ω
Output impedance	699 - 707		Ω
Insulation resistance at 50VDC	>1000		MΩ
Material	17-4 Ph stainless steel**		
Environmental protection	IP68		

\* Consult factory for higher capacities

\*\* Alloy steel available as 65040

FSO -Full Scale Output

## VISHAY TRANSDUCERS (VT) SALES OFFICES

**VT Americas**  
City of Industry, CA  
PH: +1-626-858-8899  
FAX: +1-626-332-3418  
vt.us@vishaymg.com

**VT Netherlands**  
Breda  
PH: +31-76-548-0700  
FAX: +31-76-541-2854  
vt.nl@vishaymg.com

**VMG UK**  
Basingstoke  
PH: +44-125-646-2131  
FAX: +44-125-647-1441  
vt.uk@vishaymg.com

**VMG Israel**  
Netanya  
PH: +972-9-863-8888  
FAX: +972-9-863-8800  
vt.il@vishaymg.com

**VMG Germany**  
Heilbronn  
PH: +49-7131-3901-260  
FAX: +49-7131-3901-2666  
vt.de@vishaymg.com

**VT China**  
Tianjin  
PH: +86-22-2835-3503  
FAX: +86-22-2835-7261  
vt.prc@vishaymg.com

**VMG France**  
Chartres  
PH: +33-2-37-33-31-20  
FAX: +33-2-37-33-31-29  
vt.fr@vishaymg.com

**VT Taiwan\***  
Taipei  
PH: +886-2-2696-0168  
FAX: +886-2-2696-4965  
vt.roc@vishaymg.com  
\*Asia except China



## Notice

Specifications of the products displayed herein are subject to change without notice. Vishay Intertechnology, Inc., or anyone on its behalf, assumes no responsibility or liability for any errors or inaccuracies.

Information contained herein is intended to provide a product description only. No license, express or implied, by estoppel or otherwise, to any intellectual property rights is granted by this document. Except as provided in Vishay's terms and conditions of sale for such products, Vishay assumes no liability whatsoever, and disclaims any express or implied warranty, relating to sale and/or use of Vishay products including liability or warranties relating to fitness for a particular purpose, merchantability, or infringement of any patent, copyright, or other intellectual property right.

The products shown herein are not designed for use in medical, life-saving, or life-sustaining applications. Customers using or selling these products for use in such applications do so at their own risk and agree to fully indemnify Vishay for any damages resulting from such improper use or sale.