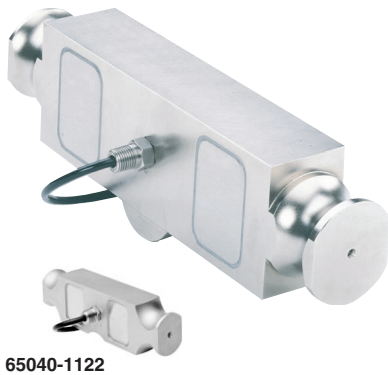


Double-Ended Shear Beam Load Cell



65040-1122



FEATURES

- Rated capacities of 25,000 to 125,000 pounds, 10 to 45 metric tons
- Center supported, external pivot loading
- Integral conduit adaptor
- Trade certified for NTEP Class III:10000 divisions and OIML R60 3000 divisions
- *Sensorgage*[™] sealed to IP67 standards
- Factory Mutual System Approved for Classes I, II, III; Divisions 1 and 2; Groups A through G. Also, non-incendive ratings (No barriers!).

OPTIONAL FEATURES

- Stainless steel available as 65040W
- Internal pivot loading available as 65040-1122

DESCRIPTION

The 65040 is a mid to high capacity nickel plated alloy steel, double ended shear beam load cell.

This product is designed for use in certified truck and rail scales and is available in capacities ranging from 25K to 125Klbs.

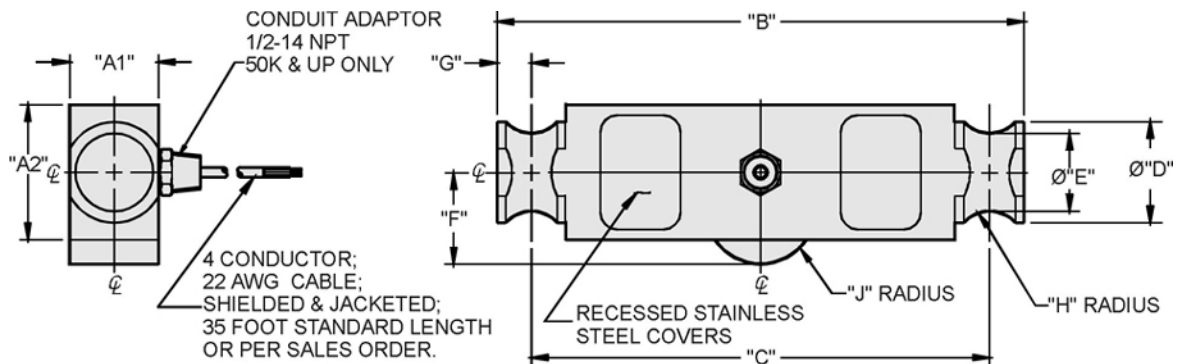
This load cell is rated intrinsically safe by the Factory Mutual System (FM); making it

suitable for use in potentially explosive environments. This load cell is certified for Legal For Trade applications by both American NTEP and International OIML standards.

APPLICATIONS

- Truck scales
- Railroad track scales
- "Legal for Trade" tank, bin and hopper weighing

OUTLINE DIMENSIONS in inches [mm]



Wiring

| | |
|--------------|-------|
| + Excitation | Red |
| - Excitation | Black |
| + Output | Green |
| - Output | White |

| CAPACITY | A1 | A2 | B | C | D | E | F | G | H | J |
|-------------|--------|--------|---------|---------|--------|--------|--------|--------|--------|--------|
| 25K - 40K | 1.94 | 2.44 | 8.25 | 7.25 | 2.0 | 1.63 | 1.75 | 0.50 | 0.50 | 0.50 |
| 50K - 75K | 1.94 | 2.94 | 11.50 | 10.00 | 2.2 | 1.70 | 2.00 | 0.75 | 0.75 | 1.00 |
| 100K - 125K | 2.90 | 3.86 | 14.50 | 12.50 | 3.2 | 2.44 | 2.75 | 1.00 | 1.00 | 1.50 |
| [10t] | [49.3] | [61.9] | [209.6] | [184.2] | [50.8] | [41.4] | [44.5] | [12.7] | [12.7] | [12.7] |
| [25 - 35t] | [49.3] | [74.7] | [292.1] | [254.0] | [55.9] | [43.2] | [50.8] | [19.1] | [19.1] | [25.4] |
| [45t] | [73.7] | [98.0] | [368.3] | [317.5] | [81.3] | [62.0] | [69.9] | [25.4] | [25.4] | [38.1] |

Capacities are in pounds [kg/t].



SPECIFICATIONS

| PARAMETER | VALUE | | | UNIT |
|-----------------------------------|---|----------|----------|-----------------------|
| Rated capacity-R.C. (E_{max}) | 25K, 40K, 50K, 60K, 75K, 100K, 125K 10t, 25t, 35t, 45t | | | lbs kg/metric tons |
| NTEP/OIML Accuracy class | NTEP III L | Standard | OIML R60 | |
| Maximum no. of intervals (n) | 10000 multiple | | 3000 | |
| $Y = E_{max}/V_{min}$ | See NTEP cert. 86-045A1 | | 6250 | Maximum available |
| Rated output-R.O. | 3.0 | | | mV/V |
| Rated output tolerance | 0.25 | | | ±% mV/V |
| Zero balance | 1.0 | | | ±% FSO |
| Combined error | 0.02 | 0.03 | 0.02 | ±% FSO |
| Non-repeatability | 0.01 | | | ±% FSO |
| Creep error (30 minutes) | 0.025 | 0.03 | 0.017 | ±% FSO |
| Temperature effect on zero | 0.0009 | 0.0015 | 0.0010 | ±% FSO/°F |
| Temperature effect on output | 0.0008 | 0.0008 | 0.0007 | ±% of load/°F |
| Compensated temperature range | 14 to 104 (-10 to 40) | | | °F (°C) |
| Operating temperature range | 0 to 150 (-18 to 65) | | | °F (°C) |
| Storage temperature range | -60 to 185 (-50 to 85) | | | °F (°C) |
| Sideload rejection ratio | 500:1 | | | |
| Safe sideload | 100 | | | % of R.C. |
| Maximum safe central overload | 150 | | | % of R.C. |
| Ultimate central overload | 300 | | | % of R.C. |
| Excitation, recommended | 10 | | | Vdc or Vac rms |
| Excitation, maximum | 25 | | | Vdc or Vac rms |
| Input impedance | 686 - 714 | | | Ω |
| Output impedance | 699 - 707 | | | Ω |
| Insulation resistance at 50VDC | >1000 | | | MΩ |
| Material | Nickel plated alloy tool steel* | | | |
| Environmental protection | IP67 | | | |

Note: * Stainless steel available as 65040W
FSO - Full Scale Output

All specifications subject to change without notice.

VISHAY TRANSDUCERS (VT) SALES OFFICES

VT Americas
City of Industry, CA
PH: +1-626-858-8899
FAX: +1-626-332-3418
vt.us@vishaymg.com

VT Netherlands
Breda
PH: +31-76-548-0700
FAX: +31-76-541-2854
vt.nl@vishaymg.com

VMG UK
Basingstoke
PH: +44-125-646-2131
FAX: +44-125-647-1441
vt.uk@vishaymg.com

VMG Israel
Netanya
PH: +972-9-863-8888
FAX: +972-9-863-8800
vt.il@vishaymg.com

VMG Germany
Heilbronn
PH: +49-7131-3901-260
FAX: +49-7131-3901-2666
vt.de@vishaymg.com

VT China
Tianjin
PH: +86-22-2835-3503
FAX: +86-22-2835-7261
vt.prc@vishaymg.com

VMG France
Chartres
PH: +33-2-37-33-31-20
FAX: +33-2-37-33-31-29
vt.fr@vishaymg.com

VT Taiwan*
Taipei
PH: +886-2-2696-0168
FAX: +886-2-2696-4965
vt.roc@vishaymg.com
*Asia except China



Notice

Specifications of the products displayed herein are subject to change without notice. Vishay Intertechnology, Inc., or anyone on its behalf, assumes no responsibility or liability for any errors or inaccuracies.

Information contained herein is intended to provide a product description only. No license, express or implied, by estoppel or otherwise, to any intellectual property rights is granted by this document. Except as provided in Vishay's terms and conditions of sale for such products, Vishay assumes no liability whatsoever, and disclaims any express or implied warranty, relating to sale and/or use of Vishay products including liability or warranties relating to fitness for a particular purpose, merchantability, or infringement of any patent, copyright, or other intellectual property right.

The products shown herein are not designed for use in medical, life-saving, or life-sustaining applications. Customers using or selling these products for use in such applications do so at their own risk and agree to fully indemnify Vishay for any damages resulting from such improper use or sale.