

## Welded, Stainless Steel Double-Ended Shear Beam Load Cell



65016-TWA



65086



### FEATURES

- Rated capacities of 1000 to 75,000 pounds
- Stainless steel, welded seal construction
- Insensitive to side loads and bending moments
- High output - well suited to high deadload/low liveload applications
- Load cells have matched outputs for multi-cell systems
- Integral conduit adaptor
- *Sensorgage*™ sealed to IP67 standards
- Factory Mutual System Approved for Classes I, II, III; Divisions 1 and 2; Groups A through G. Also, non-incendive ratings (No barriers!).

### OPTIONAL FEATURE

- Fully hermetically sealed available

### DESCRIPTION

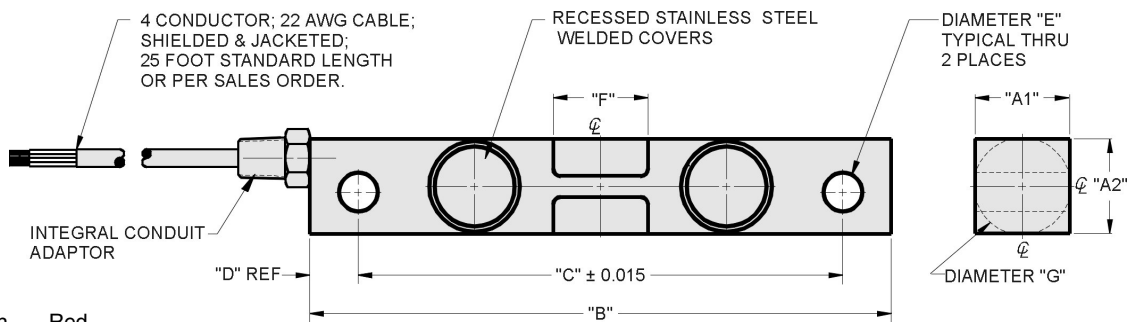
65016-0104W is designed to be center-mounted with double-linked loading. This design provides free movement in all horizontal directions virtually eliminating binding or friction points. The double Shear Beam design gives excellent performance for high capacity loading.

65016-0104W is constructed of stainless steel and is designed to work in extremely harsh environment such as chemical and food industry.

### APPLICATIONS

- Hostile environments:
  - Food and beverage processing
  - Chemical and plastics processing
  - Pharmaceutical and biomedical processing
- Tank, bin and silo weighing
- Batching, blending and mixing systems
- Level and inventory monitoring

### OUTLINE DIMENSIONS in inches



#### Wiring

+ Excitation	Red
- Excitation	Black
+ Output	Green
- Output	White

CAPACITY	A1	A2	B	C	D	E	F	G	THREAD
1K - 5K	1.22	1.22	7.50	6.25	0.62	0.50	1.12	1.25	1/4-18NPT
10K - 25K	1.44	1.94	8.75	7.50	0.62	0.81	1.62	1.99	1/4-18NPT
35K	1.44	2.44	8.75	7.50	0.62	0.81	1.62	2.50	1/4-18NPT
50K - 75K	2.44	2.94	13.50	11.50	1.00	1.31	3.25	2.99	1/2-14NPT

Capacities are in pounds.

**SPECIFICATIONS**

PARAMETER	VALUE	UNIT
Rated capacity-R.C. ( $E_{max}$ )	1K, 1.5K, 2.5K, 5K, 10K, 15K, 25K, 35K, 50K, 75K	lbs
NTEP/OIML Accuracy class	Standard	
Maximum no. of intervals (n)	--	
Rated output-R.O.	3.0	mV/V
Rated output tolerance	0.25	±% mV/V
Zero balance	1.0	±% FSO
Non-linearity	0.07%	±% FSO
Hysteresis	0.07%	±% FSO
Non-repeatability	0.01	±% FSO
Creep error (20 minutes)	0.03	±% FSO
Temperature effect on zero	0.0015	±% FSO/°F
Temperature effect on output	0.0008	±% of load/°F
Compensated temperature range	14 to 104 (-10 to 40)	°F (°C)
Operating temperature range	0 to 150 (-18 to 65)	°F (°C)
Storage temperature range	-60 to 185 (-50 to 85)	°F (°C)
Sideload rejection ratio	500:1	
Safe sideload	100	% of R.C.
Maximum safe central overload	150	% of R.C.
Ultimate central overload	300	% of R.C.
Excitation, recommended	15	Vdc or Vac rms
Excitation, maximum	25	Vdc or Vac rms
Input impedance	686 - 714	Ω
Output impedance	699 - 707	Ω
Insulation resistance at 50VDC	>1000	MΩ
Material	Stainless steel	
Environmental protection	IP67 IP68 welded seals, glass to metal seal	Standard Special

FSO -Full Scale Output

All specifications subject to change without notice.

**VISHAY TRANSDUCERS (VT) SALES OFFICES**

**VT Americas**  
City of Industry, CA  
PH: +1-626-858-8899  
FAX: +1-626-332-3418  
vt.us@vishaymg.com

**VT Netherlands**  
Breda  
PH: +31-76-548-0700  
FAX: +31-76-541-2854  
vt.nl@vishaymg.com

**VMG UK**  
Basingstoke  
PH: +44-125-646-2131  
FAX: +44-125-647-1441  
vt.uk@vishaymg.com

**VMG Israel**  
Netanya  
PH: +972-9-863-8888  
FAX: +972-9-863-8800  
vt.il@vishaymg.com

**VMG Germany**  
Heilbronn  
PH: +49-7131-3901-260  
FAX: +49-7131-3901-2666  
vt.de@vishaymg.com

**VT China**  
Tianjin  
PH: +86-22-2835-3503  
FAX: +86-22-2835-7261  
vt.prc@vishaymg.com

**VMG France**  
Chartres  
PH: +33-2-37-33-31-20  
FAX: +33-2-37-33-31-29  
vt.fr@vishaymg.com

**VT Taiwan\***  
Taipei  
PH: +886-2-2696-0168  
FAX: +886-2-2696-4965  
vt.roc@vishaymg.com  
\*Asia except China