

S-Type Stainless Steel Load Cell



FEATURES

- Capacity range: 500 to 5000kg
- Stainless Steel construction
- sealed by welding to IP68
- S-Type design for use in tension and compression
- OIML approved to 3000d (500-5000kg)
- NTEP approved to 5000d (500-2000kg)
- Choice of mounting threads Metric or Unified systems.
- Six Wire Cable (sense circuit)

OPTIONAL FEATURES

- EEx ia IIC T6-ATEX hazardous area approval.
- Class I, II, III Division 1 – FM hazardous area approval.

DESCRIPTION

Model 620 is a Stainless Steel S-Type Load Cell. Its Welded Sealing combined with high accuracy, make this Load Cell ideally suited for a wide range of applications of Process Weighing and Force Measurements.

Approvals include OIML C3 (3000d); NTEP 3000d single and NTEP 5000d Multiple.

Also available are versions approved for hazardous areas – ATEX II 1 GD EEx ia T6

for Europe and FM I, II, III Division 1 for the USA.

The six-wire cable includes two sense wires that compensate for changes in lead resistance due to temperature changes and cable extension.

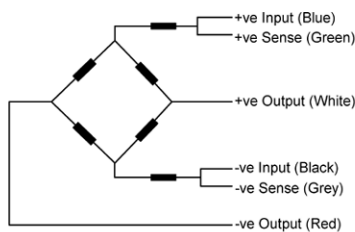
Model 620 offers a choice of bolt threads in Metric or Unified systems – see table below.

APPLICATIONS

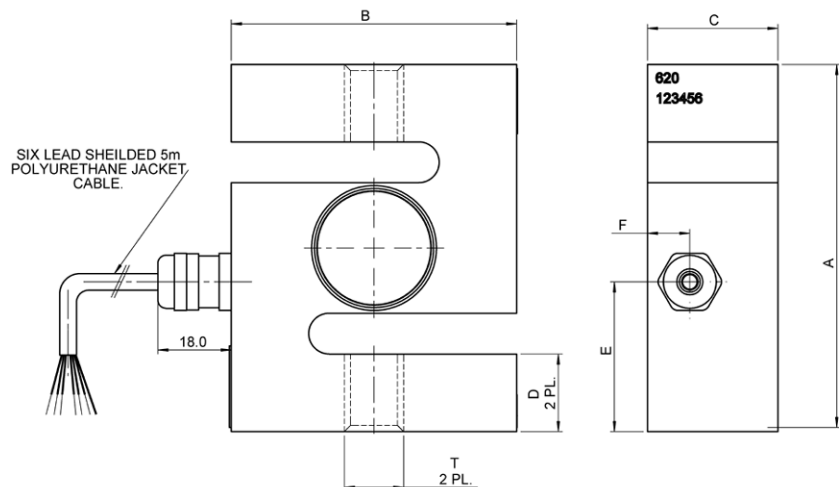
- Hopper (Tank Weighing).
- Hybrid Scales.
- Belt Weighing.
- Lever arm conversions.
- Material testing machines.
- Vibrations filling equipment.
- Dynamometers.

OUTLINE DIMENSIONS in millimeters

Wiring Schematic Diagram



Thread Type "T" By Capacity		
Capacity	Metric	Unified
500 kg	M12x1.75	1/2-20 UNF
1000 kg	M16 x 2.0	1/2-20 UNF
2000 kg	M16 x 2.0	3/4-16 UNF
5000 kg	M24 x 2.0	1 - 12 UNF



Optional Rod End Bearings for use with all Vishay Transducers S-Type load cells are available - consult VT Sales office

Capacity	A	B	C	D	E	F
500, 1000, 2000 kg	90	70	32	19	36.6	10.4
5000 kg	120	100	45	26	60	13.8

Model 620

Vishay Tedea-Huntleigh S-Type Stainless Steel Load Cell



SPECIFICATIONS

PARAMETER	VALUE				UNIT
Rated capacity-R.C. (E_{max})	500, 1000, 2000, 5000*				kg
NTEP/OIML Accuracy class	NTEP	Non-Approved	C2/50	C3/50	
Maximum no. of intervals (n)	class IIIIL	1000	2000*	OIML 3000	
$Y = E_{max}/V_{min}$	5000	2000	4000	6000	
Rated output-R.O.	2.0				mV/V
Rated output tolerance	0.0035				\pm mV/V
Zero balance	0.04				\pm mV/V
Total Error (per OIML R60)	0.0200	0.0500	0.0300	0.0200	\pm % of R.O.
Zero Return, 30 min.	0.0250	0.0500	0.0250	0.0170	\pm % of applied load
Temperature effect on zero	(0.0010)	0.0070	0.0020	0.0023	\pm % of R.O./ $^{\circ}$ C ($^{\circ}$ F)
Temperature effect on output	(0.0008)	0.0400	0.0014	0.0012	\pm % of applied load/ $^{\circ}$ C ($^{\circ}$ F)
Temperature range, compensated	-10 to +40				$^{\circ}$ C
Temperature range, safe	-30 to +90				$^{\circ}$ C
Maximum safe static overload	150				% of R.C.
Excitation, recommended	10				Vdc or Vac rms
Excitation, maximum	15				Vdc or Vac rms
Input impedance	400 \pm 20				Ohms
Output impedance	350 \pm 3				Ohms
Insulation resistance	>5000				Mega-Ohms
Construction	Stainless steel				
Environmental protection	IP68				

* 5000kg capacity is not approved by NTEP

VISHAY TRANSDUCERS (VT) SALES OFFICES

VT Americas
City of Industry, CA
PH: +1-626-858-8899
FAX: +1-626-332-3418
vt.us@vishaymg.com

VT Netherlands
Breda
PH: +31-76-548-0700
FAX: +31-76-541-2854
vt.nl@vishaymg.com

VMG UK
Basingstoke
PH: +44-125-646-2131
FAX: +44-125-647-1441
vt.uk@vishaymg.com

VMG Israel
Netanya
PH: +972-9-863-8888
FAX: +972-9-863-8800
vt.il@vishaymg.com

VMG Germany
Heilbronn
PH: +49-7131-3901-260
FAX: +49-7131-3901-2666
vt.de@vishaymg.com

VT China
Tianjin
PH: +86-22-2835-3503
FAX: +86-22-2835-7261
vt.prc@vishaymg.com

VMG France
Chartres
PH: +33-2-37-33-31-20
FAX: +33-2-37-33-31-29
vt.fr@vishaymg.com

VT Taiwan*
Taipei
PH: +886-2-2696-0168
FAX: +886-2-2696-4965
vt.roc@vishaymg.com
*Asia except China



Notice

Specifications of the products displayed herein are subject to change without notice. Vishay Intertechnology, Inc., or anyone on its behalf, assumes no responsibility or liability for any errors or inaccuracies.

Information contained herein is intended to provide a product description only. No license, express or implied, by estoppel or otherwise, to any intellectual property rights is granted by this document. Except as provided in Vishay's terms and conditions of sale for such products, Vishay assumes no liability whatsoever, and disclaims any express or implied warranty, relating to sale and/or use of Vishay products including liability or warranties relating to fitness for a particular purpose, merchantability, or infringement of any patent, copyright, or other intellectual property right.

The products shown herein are not designed for use in medical, life-saving, or life-sustaining applications. Customers using or selling these products for use in such applications do so at their own risk and agree to fully indemnify Vishay for any damages resulting from such improper use or sale.