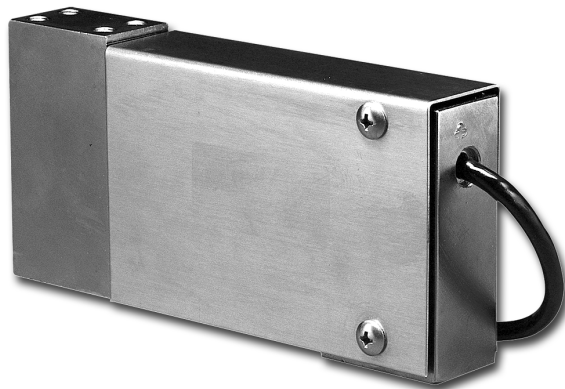


## Low Profile Platform Cell



### FEATURES

- Rated capacities of 25 to 1000 pounds
- Constructed of stainless steel
- Moment-compensated design for minimal sensitivity to moments induced by off-center loading
- Exceeds NIST H-44 requirements
- Provides optimum protection under adverse loading conditions
- *Sensorgage™* sealed to IP67 standards
- Factory Mutual System Approved for Classes I, II, III; Divisions 1 and 2; Groups A through G. Also, non-incendive ratings (No barriers!).

### DESCRIPTION

The 60048 is a high precision, stainless steel, single point platform load cell.

This product's availability in capacities ranging from 25 to 1000 lbs. makes it ideal for many low to mid range capacity weighing applications. This load cell is most commonly used in platform scales, but can be adapted for use in many process weighing applications.

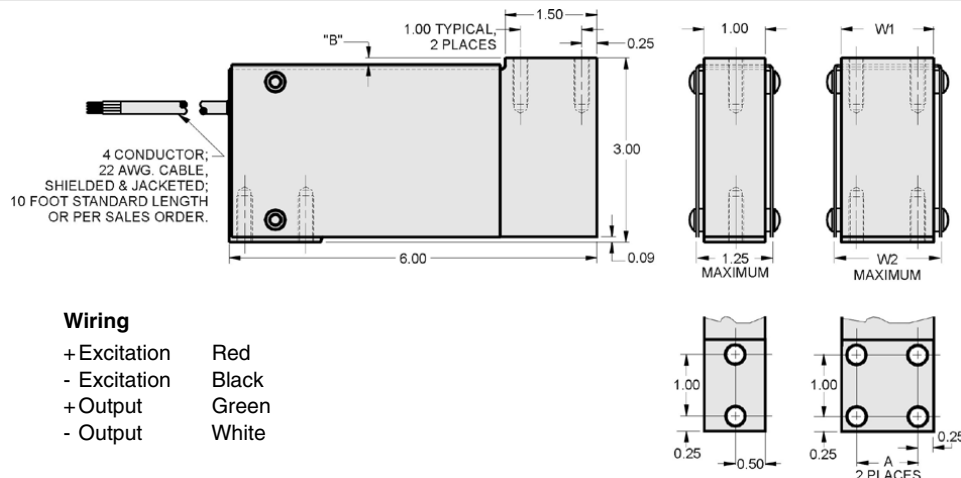
The stainless steel construction and IP67 sealing make this load cell ideal for harsh environment applications.

This product is rated intrinsically safe by the Factory Mutual System (FM); making it suitable for use in potentially explosive environments.

### APPLICATIONS

- Single-point platform scales
- Belt conveyor scales
- Bench and counting scales
- Checkweighing scales
- Hopper scales and netweighing

### OUTLINE DIMENSIONS in inches



CAPACITY	W1	W2	A	B	THREAD
25	--	--	--	0.04	1/4-28 UNF-2B THREAD X 0.75 MIN., 4 PLACES
50 - 100	--	--	--	0.04	1/4-28 UNF-2B THREAD X 0.75 MIN., 4 PLACES
200	--	--	--	0.04	1/4-28 UNF-2B THREAD X 0.75 MIN., 4 PLACES
400 - 500	1.00	1.25	0.50	0.04	1/4-28 UNF-2B THREAD X 0.75 MIN., 4 PLACES
1K	1.50	1.75	1.00	0.18	5/16-24 UNF-2B THREAD X 0.75 MIN., 8 PLACES

Capacities are in pounds.



## SPECIFICATIONS

PARAMETER	VALUE		UNIT
Rated capacity-R.C. ( $E_{max}$ )	25, 50, 100, 200, 400, 500, 1000		lbs
NTEP/OIML Accuracy class	<b>Non-Approved</b>		
Rated output-R.O.	2.0		mV/V
Rated output tolerance	+0.25 ... -10%		±% mV/V
Zero balance	1.0		±% FSO
Combined error	0.03		±% FSO
Non-repeatability	0.01		±% FSO
Creep error (20 minutes)	0.03		±% FSO
Temperature effect on zero	0.0015		±% FSO/°F
Temperature effect on output	0.0008		±% of load/°F
Compensated temperature range	14 to 104 (-10 to 40)		°F (°C)
Operating temperature range	0 to 150 (-18 to 65)		°F (°C)
Storage temperature range	-60 to 185 (-50 to 85)		°F (°C)
Sideload rejection ratio	500:1		
Safe sideload	30		% of R.C.
Maximum safe central overload	150		% of R.C.
Ultimate central overload	300		% of R.C.
Excitation, recommended	10		Vdc or Vac rms
Excitation, maximum	15		Vdc or Vac rms
Input impedance	350 - 450		Ω
Output impedance	349 - 355		Ω
Insulation resistance at 50 VDC	>1000		MΩ
Material	Stainless steel		
Environmental protection	IP67		
Moment compensation	<b>25-500 lbs</b>	<b>1000 lbs</b>	
Moment sensitivity	0.005	0.007	±% of load/inch
Maximum moment	10 x capacity	15000	lbs-inches
Platform size	20 x 20	30 x 30	inches

FSO - Full Scale Output

## VISHAY TRANSDUCERS (VT) SALES OFFICES

**VT Americas**  
 City of Industry, CA  
 PH: +1-626-858-8899  
 FAX: +1-626-332-3418  
 vt.us@vishaymg.com

**VT Netherlands**  
 Breda  
 PH: +31-76-548-0700  
 FAX: +31-76-541-2854  
 vt.nl@vishaymg.com

**VMG UK**  
 Basingstoke  
 PH: +44-125-646-2131  
 FAX: +44-125-647-1441  
 vt.uk@vishaymg.com

**VMG Israel**  
 Netanya  
 PH: +972-9-863-8888  
 FAX: +972-9-863-8800  
 vt.il@vishaymg.com

**VMG Germany**  
 Heilbronn  
 PH: +49-7131-3901-260  
 FAX: +49-7131-3901-2666  
 vt.de@vishaymg.com

**VT China**  
 Tianjin  
 PH: +86-22-2835-3503  
 FAX: +86-22-2835-7261  
 vt.prc@vishaymg.com

**VMG France**  
 Chartres  
 PH: +33-2-37-33-31-20  
 FAX: +33-2-37-33-31-29  
 vt.fr@vishaymg.com

**VT Taiwan\***  
 Taipei  
 PH: +886-2-2696-0168  
 FAX: +886-2-2696-4965  
 vt.roc@vishaymg.com  
 \*Asia except China



## Notice

Specifications of the products displayed herein are subject to change without notice. Vishay Intertechnology, Inc., or anyone on its behalf, assumes no responsibility or liability for any errors or inaccuracies.

Information contained herein is intended to provide a product description only. No license, express or implied, by estoppel or otherwise, to any intellectual property rights is granted by this document. Except as provided in Vishay's terms and conditions of sale for such products, Vishay assumes no liability whatsoever, and disclaims any express or implied warranty, relating to sale and/or use of Vishay products including liability or warranties relating to fitness for a particular purpose, merchantability, or infringement of any patent, copyright, or other intellectual property right.

The products shown herein are not designed for use in medical, life-saving, or life-sustaining applications. Customers using or selling these products for use in such applications do so at their own risk and agree to fully indemnify Vishay for any damages resulting from such improper use or sale.