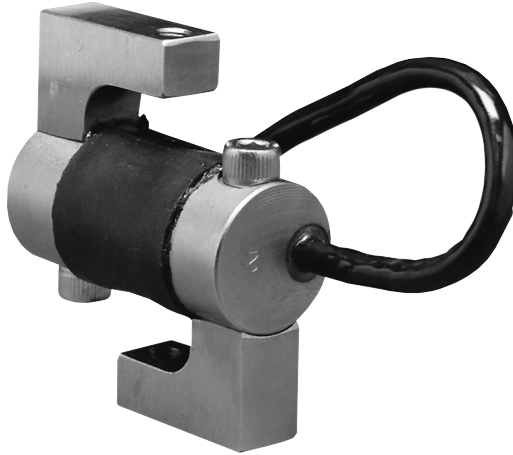


## S-Beam Load Cell



### FEATURES

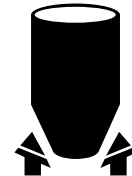
- Rated capacities of 25 to 250 pounds
- Alternative mounting configurations
- 20 feet standard cable length
- Constructed of high quality alloy tool steel
- Nickel plated for corrosion resistance
- Compact design
- Exceeds NIST H-44 performance requirements
- Factory Mutual System Approved for Classes I, II, III; Divisions 1 and 2; Groups A through G. Also, Non-incendive ratings (No Barriers!).
- ISO 9001:2000 Certified manufacturing facilities

### APPLICATIONS

- Tank, bin and hopper weighing
- Tension measurements
- Single or multiple load cell configurations

<b>RATED CAPACITIES</b>
lbs
25, 50, 75, 100, 150, 250

<b>FULL SCALE OUTPUT (FSO)</b>
lbs
3.0 mV/V $\pm$ 0.25%



**ISO**  
**9001:2000**

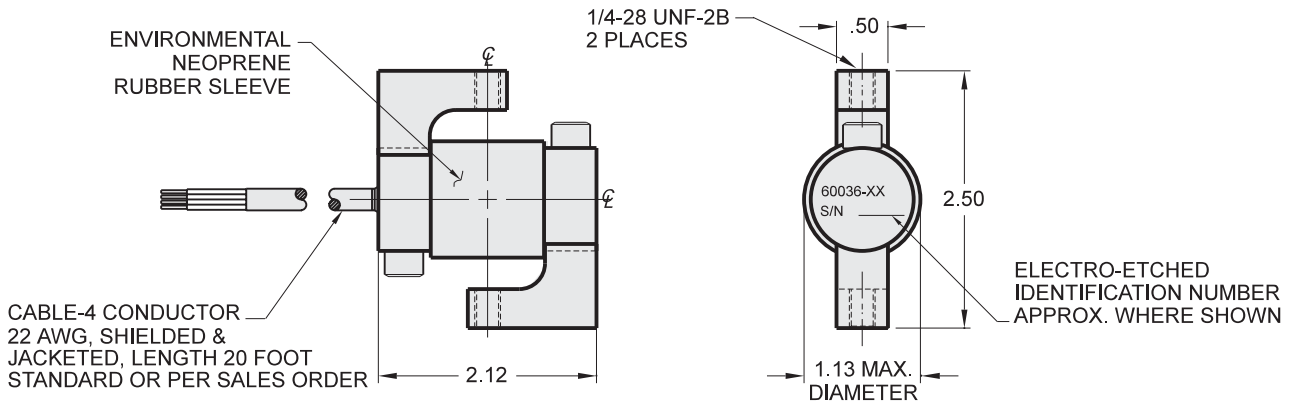
**Factory  
 Mutual  
 System**  
 Approved

ACCURACY CLASS	
	STANDARD
Max. No. Verification Intervals	--
Combined Error % FSO	≤ 0.03
Nonlinearity % FSO	≤ 0.03
Hysteresis % FSO	≤ 0.02
Creep Error % FSO	≤ 0.03 in 20 minutes
Temperature Effect on: Zero % FSO/°F Output % of Load/°F	≤ 0.0015 ≤ 0.0008

**PERFORMANCE SPECIFICATIONS**

**Non-Repeatability % FSO:** ≤ 0.1  
**Zero Balance % FSO:** ≤ 1.0  
**Insulation Resistance:** >1000 Mohms at 50 VDC  
**Compensated Temp. Range:** 14° to 104°F [-10° to 40°C]  
**Operating Temp. Range:** 0° to 150°F [-18° to 65°C]  
**Storage Temp. Range:** -60° to 185°F [-50° to 85°C]  
**Input Resistance:** 380-450 Ohms  
**Output Resistance:** 349-355 Ohms  
**Recommended Excitation Voltage:** 10 Volts DC  
**Maximum Excitation Voltage:** 15 Volts DC  
**Safe Overload:** 150% of Rated Capacity  
**Ultimate Overload:** 300% of Rate Capacity  
**Sealing:** Sealed Neoprene Boot  
**Material:** Alloy Tool Steel  
**Finish:** Electroless Nickel Plated

**DIMENSIONAL OUTLINE DRAWING** in inches



**WIRING**

+ Excitation = Red; - Excitation = Black; + Output = Green;  
 - Output = White

Dimensions are in inches. Capacities are in pounds. Deflection is ±10%. Specifications are subject to change. Certified drawings are available.

**VISHAY TRANSDUCERS (VT) - SALES OFFICES**

<b>VT Americas</b> Covina, CA PH: +1-800-722-0820 FAX: +1-626-332-3418 vt.us@vishaymg.com	<b>VT Canada</b> Toronto PH: +1-416-251-2554 FAX: +1-416-251-2690 vt.can@vishaymg.com	<b>VT UK</b> Basingstoke PH: +44-125-646-2131 FAX: +44-125-647-1441 vt.uk@vishaymg.com	<b>VT Sweden</b> Karlskoga PH: +46-586-630-00 FAX: +46-586-630-99 vt.se@vishaymg.com	<b>VT Germany</b> Heilbronn PH: +49-7131-3901-260 FAX: +49-7131-3901-2666 vt.de@vishaymg.com	<b>VT France</b> Chartres PH: +33-2-37-33-31-20 FAX: +33-2-37-33-31-29 vt.fr@vishaymg.com
<b>VT Spain</b> Madrid PH: +34-91-7218890 FAX: +34-91-7219056 vt.es@vishaymg.com	<b>VT Finland</b> Jorvas PH: +358-(0)9-8194-220 FAX: +358-(0)9-8194-2211 vt.fi@vishaymg.com	<b>VT Norway</b> Oslo PH: +47-22-21-40-70 FAX: +47-22-21-92-10 vt.no@vishaymg.com	<b>VT Israel</b> Netanya PH: +972-9-863-8888 FAX: +972-9-863-8800 vt.il@vishaymg.com	<b>VT China</b> Tianjin PH: +86-22-2835-3503 FAX: +86-22-2835-7261 vt.prc@vishaymg.com	<b>VT Taiwan*</b> Taipei PH: +886-2-2696-0168 FAX: +886-2-2696-4965 vt.roc@vishaymg.com *Asia except China



## Notice

Specifications of the products displayed herein are subject to change without notice. Vishay Intertechnology, Inc., or anyone on its behalf, assumes no responsibility or liability for any errors or inaccuracies.

Information contained herein is intended to provide a product description only. No license, express or implied, by estoppel or otherwise, to any intellectual property rights is granted by this document. Except as provided in Vishay's terms and conditions of sale for such products, Vishay assumes no liability whatsoever, and disclaims any express or implied warranty, relating to sale and/or use of Vishay products including liability or warranties relating to fitness for a particular purpose, merchantability, or infringement of any patent, copyright, or other intellectual property right.

The products shown herein are not designed for use in medical, life-saving, or life-sustaining applications. Customers using or selling these products for use in such applications do so at their own risk and agree to fully indemnify Vishay for any damages resulting from such improper use or sale.