

Damped Load Cells for Rotary Filling Machines



FEATURES

- Capacities: 3kg, 17lbs, 23lbs
- Stainless Steel Construction
- Insensitive to rotary dynamic forces
- Single Point Performance
- Rotary speed to 13rpm at 1m radius
- Sealed wash down configuration

DESCRIPTION

The 1430 is uniquely designed to reduce weighing errors resulting from dynamic forces occurring on rotary liquid filling machines. The 1430 will provide high weighing accuracies when operated over a range of 0 to 13 rpm at a mounting location up to 1 meter radius.

The sealed stainless steel construction of the model 1430 provides safe operation in applications subjected to caustic or heavy wash down environments. The rugged construction provides significant overload protection both in the weighing axis as well as against side loading. Side loads, such

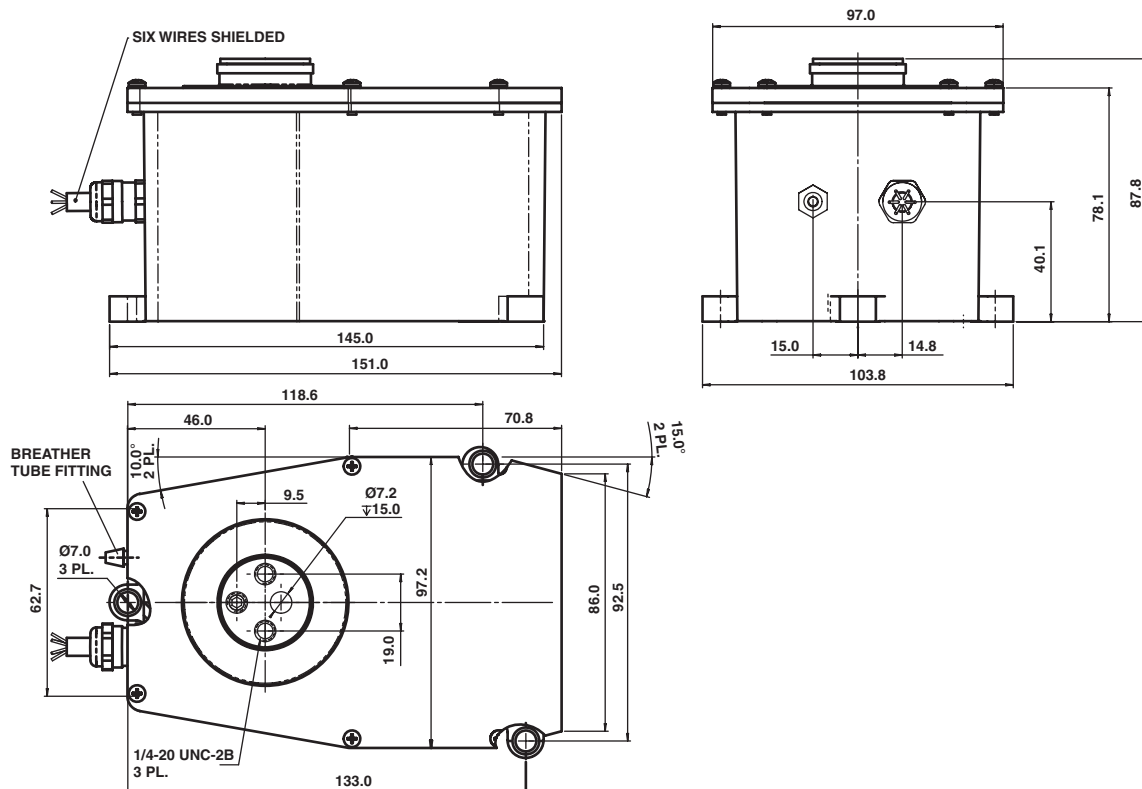
as occurring in bottle jams of up to 300 kg, have been applied to units with no significant zero change.

The 1430 features adjustable viscous damping for shorter settling times and for faster machine cycles.

APPLICATIONS

- Rotary filling machines

OUTLINE DIMENSIONS in millimeters



Model 1430

Vishay Tedea-Huntleigh Damped Load Cells for Rotary Filling Machines



SPECIFICATIONS

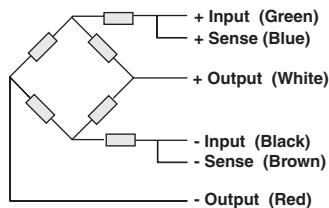
PARAMETER	VALUE	UNIT
Rated capacity-R.C.	3	kg
Rated capacity-R.C.	17, 23	lb
VT Accuracy class	C1	
Maximum no. of intervals (n)	1000	
Rated output-R.O.	2	mV/V
Rated output tolerance	0.3	±mV/V
Zero balance 3kg: (3kg std.), 17lb, 23lb:	-0.6000±0.0500 ±0.2000	mV/V
Total static error at room temperature per OIML	0.03	±% of R.O.
Dynamic error: speed range of 0 to 15rpm, rotational radius of 1m, load placed on platform located 14cm above top surface of load-cell & connected by 3/4" or 20mm dia. steel shaft	0.04	±% of the static reading at same load
Creep & Zero return (30 min.)	0.05	±% of load
Temperature effect on zero	0.010	±% of R.O./°C
Temperature effect on output	0.003	±% of load/°C
Temperature range, compensated	+5 to +40	°C
Temperature range, safe	-30 to +70	°C
Maximum safe static overload, positive	160**	% of R.C.
Maximum safe static overload, negative	-120	% of R.C.
Ultimate static overload (central loading)	300	% of R.C.
Excitation, recommended	10	Vdc or Vac rms
Excitation, maximum	15	Vdc or Vac rms
Input impedance	415±15	Ohms
Output impedance	350±3	Ohms
Insulation resistance	>2000	Mega-Ohms
Cable type	6 wire, 26 AWG, shielded, PVC jacket	
Cable length	6	m
Construction	Aluminum sensor enclosed in, stainless steel, box	
Damping	Internal silicone fluid damping*	

* Silicone fluid is shipped separately from load cell, dozed in syringe.

Silicone fluid is filled in cylinder before installation of load cell.

** Factory adjusted to 170% of R.C.

Wiring Schematic Diagram



VISHAY TRANSDUCERS (VT) SALES OFFICES

VT Americas
City of Industry, CA
PH: +1-626-858-8899
FAX: +1-626-332-3418
vt.us@vishaymg.com

VT Netherlands
Breda
PH: +31-76-548-0700
FAX: +31-76-541-2854
vt.nl@vishaymg.com

VMG UK
Basingstoke
PH: +44-125-646-2131
FAX: +44-125-647-1441
vt.uk@vishaymg.com

VMG Israel
Netanya
PH: +972-9-863-8888
FAX: +972-9-863-8800
vt.il@vishaymg.com

VMG Germany
Heilbronn
PH: +49-7131-3901-260
FAX: +49-7131-3901-2666
vt.de@vishaymg.com

VT China
Tianjin
PH: +86-22-2835-3503
FAX: +86-22-2835-7261
vt.prc@vishaymg.com

VMG France
Chartres
PH: +33-2-37-33-31-20
FAX: +33-2-37-33-31-29
vt.fr@vishaymg.com

VT Taiwan*
Taipei
PH: +886-2-2696-0168
FAX: +886-2-2696-4965
vt.roc@vishaymg.com
*Asia except China