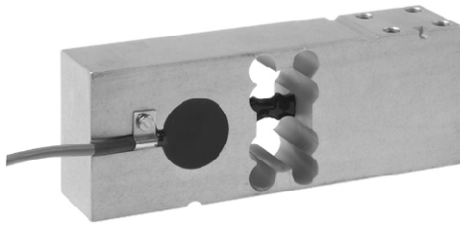


Single Point Load Cell



FEATURES

- Capacity range: 100 to 660kg
- Rigid, anodized aluminum construction
- OIML approved to C6 (150 - 660kg)
- Single point 800 x 800mm platform
- Minimal deflection and high natural frequency
- Sealed to IP66

OPTIONAL FEATURES

- 2G EEx ia IIC T4 - ATEX hazardous area approval
- UNC threads

DESCRIPTION

Model 1265 is an anodized aluminum single point load cell suitable for direct mounting with large platforms, check weighers, and a wide range of other applications.

A unique rigid design allows for low deflection and high natural frequency, making the 1265 suitable for dynamic applications such as Check Weighers.

This load cell supports large platforms up to 800 x 800mm. High accuracy (6000d) is maintained for overall characteristics (OIML R60) and for eccentric loading (OIML R76).

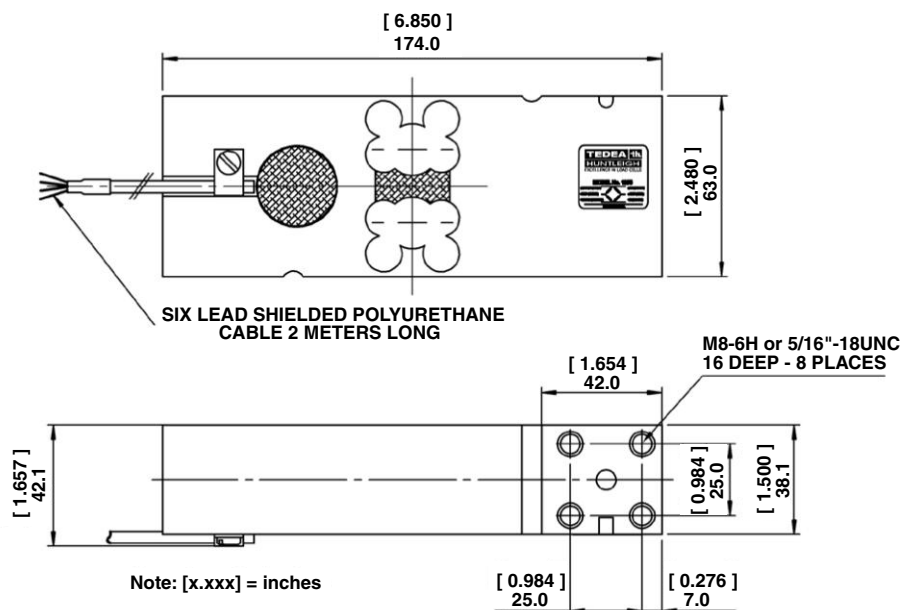
A humidity-resistant protective coating assures stable operation in damp environments over the entire compensated range and conforms to IP66 (IEC 60529).

The six-wire cable includes two sense wires that compensate for changes in lead resistance due to temperature changes and cable extension.

APPLICATIONS

- Platform scales
- Bag fillers
- Check weighers
- Overhead track scales
- Process weighing

OUTLINE DIMENSIONS in millimeters



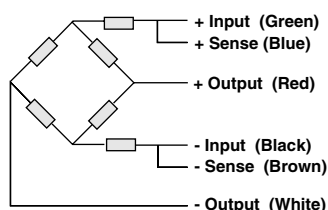
SPECIFICATIONS

PARAMETER	VALUE			UNIT
Rated capacity-R.C. (E_{max})	100, 150, 200, 250, 300, 500, 600, 635, 660			kg
NTEP/OIML Accuracy class	Non-Approved	C3*	C6**	
Maximum no. of intervals (n)	1000	3000	6000	
$Y = E_{max}/V_{min}$	2000	15000	15000	Maximum available
Rated output-R.O.	2.0			mV/V
Rated output tolerance	0.2			±mV/V
Zero balance	0.2			+mV/V
Zero Return, 30 min.	0.0300	0.0170	0.0083	±% of applied load
Total Error	0.0500	0.0200	0.0100	±% of rated output
Temperature effect on zero	0.0100	0.0023	0.0024	±% of rated output/°C
Temperature effect on output	0.0030	0.0010	0.00058	±% of applied load/°C
Eccentric loading error	0.0070	0.0025	0.0012	±% of rated load/cm
Temperature range, compensated	-10 to +40			°C
Temperature range, safe	-30 to +70			°C
Maximum safe central overload	150			% of R.C.
Ultimate central overload	300			% of R.C.
Excitation, recommended	10			Vdc or Vac rms
Excitation, maximum	15			Vdc or Vac rms
Input impedance	415±15			Ohms
Output impedance	350±5			Ohms
Insulation resistance	>2000			Mega-Ohms
Cable length	2			m
Cable type	6 wire, PVC, single floating screen			Standard
Construction	Plated (anodized) aluminum			
Environmental protection	IP66			
Platform size (max)	800 x 800			mm
Recommended torque	Up to 300kg - 25.0 Above 300kg - 30.0			N*m

* 50% utilization

** 60% utilization, and for capacities 150kg and up

Wiring Schematic Diagram
(Balanced bridge temperature compensation)



VISHAY TRANSDUCERS (VT) SALES OFFICES

VT Americas
City of Industry, CA
PH: +1-626-858-8899
FAX: +1-626-332-3418
vt.us@vishaymg.com

VT Netherlands
Breda
PH: +31-76-548-0700
FAX: +31-76-541-2854
vt.nl@vishaymg.com

VMG UK
Basingstoke
PH: +44-125-646-2131
FAX: +44-125-647-1441
vt.uk@vishaymg.com

VMG Israel
Netanya
PH: +972-9-863-8888
FAX: +972-9-863-8800
vt.il@vishaymg.com

VMG Germany
Heilbronn
PH: +49-7131-3901-260
FAX: +49-7131-3901-2666
vt.de@vishaymg.com

VT China
Tianjin
PH: +86-22-2835-3503
FAX: +86-22-2835-7261
vt.prc@vishaymg.com

VMG France
Chartres
PH: +33-2-37-33-31-20
FAX: +33-2-37-33-31-29
vt.fr@vishaymg.com

VT Taiwan*
Taipei
PH: +886-2-2696-0168
FAX: +886-2-2696-4965
vt.roc@vishaymg.com
*Asia except China



Notice

Specifications of the products displayed herein are subject to change without notice. Vishay Intertechnology, Inc., or anyone on its behalf, assumes no responsibility or liability for any errors or inaccuracies.

Information contained herein is intended to provide a product description only. No license, express or implied, by estoppel or otherwise, to any intellectual property rights is granted by this document. Except as provided in Vishay's terms and conditions of sale for such products, Vishay assumes no liability whatsoever, and disclaims any express or implied warranty, relating to sale and/or use of Vishay products including liability or warranties relating to fitness for a particular purpose, merchantability, or infringement of any patent, copyright, or other intellectual property right.

The products shown herein are not designed for use in medical, life-saving, or life-sustaining applications. Customers using or selling these products for use in such applications do so at their own risk and agree to fully indemnify Vishay for any damages resulting from such improper use or sale.