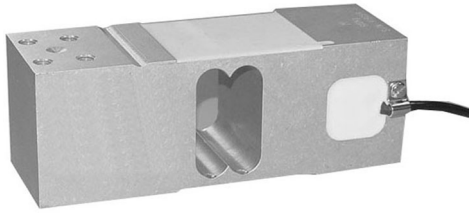


## Aluminum High Capacity Single Point Load Cell



### FEATURES

- Capacities 50 - 635kg
- Aluminum construction
- Single point 600 x 600mm platform
- OIML R60 approved
- IP66 protection
- Available with metric threads

### OPTIONAL FEATURES

- EEx ia IIC T4 hazardous area approval

### DESCRIPTION

Model 1263 is a high performance, high capacity single point load cell designed for direct mounting of large weighing platforms.

The rugged construction offers high immunity to side forces making it suitable for a wide range of weighing applications, including bench scales, check weighing and process weighing.

A special humidity resistant protective coating assures long term stability over the entire compensated temperature range.

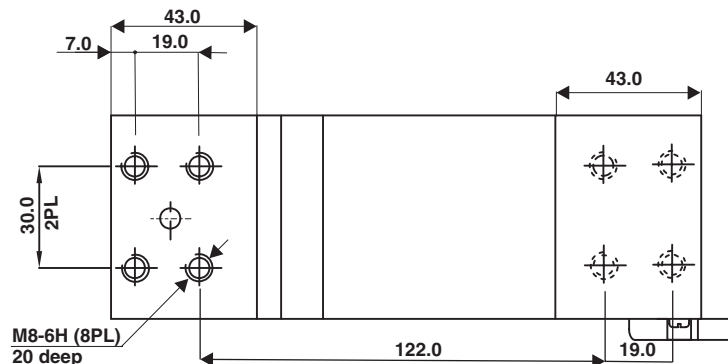
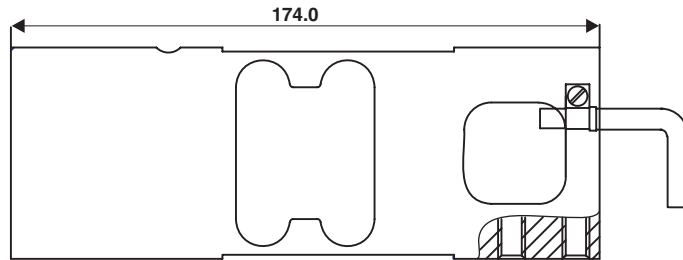
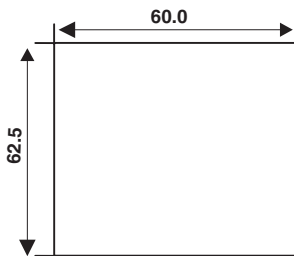
The 1263 provides scale manufacturers with a high accuracy low cost sensor to meet today's needs.

### APPLICATIONS

- Large platform scales
- Hanging scales
- Check weighing

### OUTLINE DIMENSIONS in millimeters

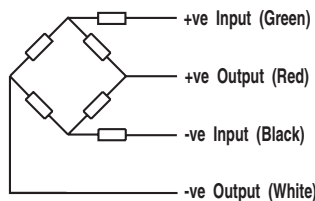
All dimensions in mm



**SPECIFICATIONS**

PARAMETER	VALUE		UNIT
Rated capacity-R.C. ( $E_{max}$ )	50, 100, 150, 200, 250, 300, 500, 635		kg
NTEP/OIML Accuracy class	<b>Non-Approved</b>	<b>C3*</b>	
Maximum no. of intervals (n)	1000	3000	
$Y = E_{max}/V_{min}$	2000	15000	Maximum available
Rated output-R.O.	2.0		mV/V
Rated output tolerance	0.2		±mV/V
Zero balance	0.2		+mV/V
Zero Return, 30 min.	0.050	0.0170	±% of applied load
Total Error	0.0300	0.0200	±% of rated output
Temperature effect on zero	0.0100	0.0023	±% of rated output/°C
Temperature effect on output	0.0030	0.0010	±% of applied load/°C
Eccentric loading error	0.0050	0.0033	±% of rated load/cm
Temperature range, compensated	-10 to +40		°C
Temperature range, safe	-20 to +70		°C
Maximum safe central overload	150		% of R.C.
Ultimate central overload	300		% of R.C.
Excitation, recommended	10		Vdc or Vac rms
Excitation, maximum	15		Vdc or Vac rms
Input impedance	415±15		Ohms
Output impedance	350±3		Ohms
Insulation resistance	>2000		Mega-Ohms
Cable length	1.5		m
Cable type	4 wire, PVC, single floating screen		Standard
Construction	aluminum		
Environmental protection	IP66		
Platform size (max)	600 x 600		mm
Recommended torque	Up to 300kg: 25.0 Above 300kg: 30.0		N*m

\* 50% utilization

**Wiring Schematic Diagram****VISHAY TRANSDUCERS (VT) SALES OFFICES**

**VT Americas**  
City of Industry, CA  
PH: +1-626-858-8899  
FAX: +1-626-332-3418  
vt.us@vishaymg.com

**VT Netherlands**  
Breda  
PH: +31-76-548-0700  
FAX: +31-76-541-2854  
vt.nl@vishaymg.com

**VMG UK**  
Basingstoke  
PH: +44-125-646-2131  
FAX: +44-125-647-1441  
vt.uk@vishaymg.com

**VMG Israel**  
Netanya  
PH: +972-9-863-8888  
FAX: +972-9-863-8800  
vt.il@vishaymg.com

**VMG Germany**  
Heilbronn  
PH: +49-7131-3901-260  
FAX: +49-7131-3901-2666  
vt.de@vishaymg.com

**VT China**  
Tianjin  
PH: +86-22-2835-3503  
FAX: +86-22-2835-7261  
vt.prc@vishaymg.com

**VMG France**  
Chartres  
PH: +33-2-37-33-31-20  
FAX: +33-2-37-33-31-29  
vt.fr@vishaymg.com

**VT Taiwan\***  
Taipei  
PH: +886-2-2696-0168  
FAX: +886-2-2696-4965  
vt.roc@vishaymg.com  
\*Asia except China