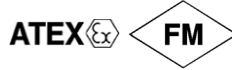
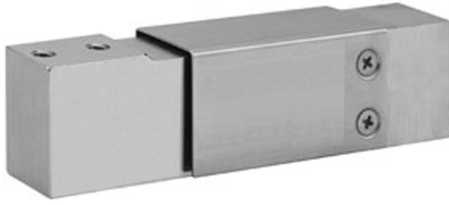


## Stainless Steel Single Point Load Cell



### FEATURES

- Capacities 15 - 150kg
- Stainless steel construction
- Single point 400 x 400mm platform
- IP65 protection
- Available with UNC threads only

### OPTIONAL FEATURES

- EEx ia IIC T4 hazardous area approval
- FM approval available

### DESCRIPTION

Model 1140 is a low profile single point load cell designed for direct mounting of low cost weighing platforms.

The small physical size, combined with high accuracy and low cost, makes this load cell ideally suited for low profile bench and counting scales. For wash-down protection an optional IP65 encapsulation protection is available.

Constructed from stainless steel this high accuracy load cell is approved to Factory

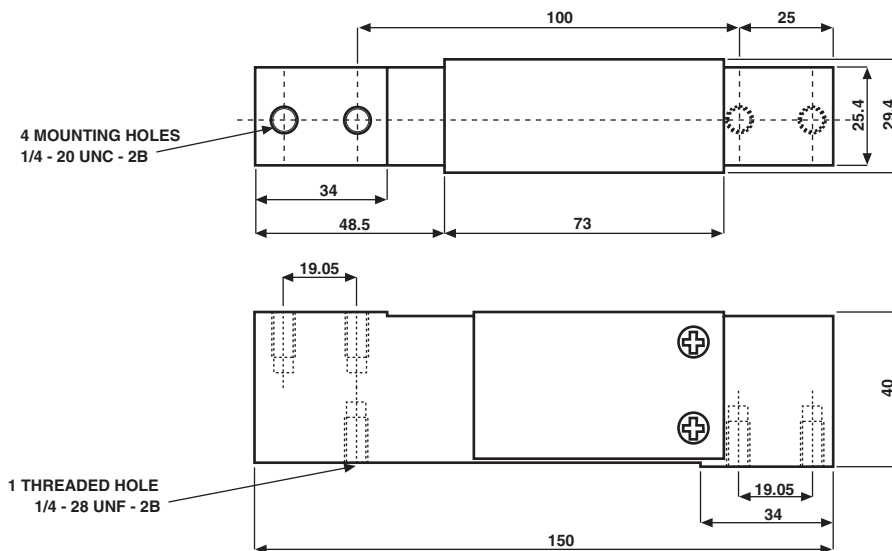
Mutual and other stringent approval standards.

The two additional sense wires feed back the voltage reaching the load cell. Complete compensation of changes in lead resistance due to temperature change and/or cable extension, is achieved by feeding this voltage into the appropriate electronics.

### APPLICATIONS

- Harsh environment small platforms
- Harsh environment check weighing

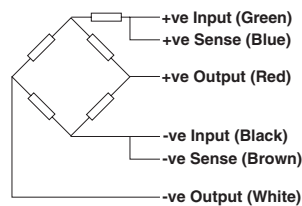
### OUTLINE DIMENSIONS in millimeters



**SPECIFICATIONS**

PARAMETER	VALUE	UNIT
Rated capacity-R.C. ( $E_{max}$ )	15, 20, 30, 50, 75, 100, 150	kg
NTEP/OIML Accuracy class	<b>Non-Approved</b>	
Maximum no. of intervals (n)	3000	
Rated output-R.O.	2.0	mV/V
Rated output tolerance	0.2	$\pm$ mV/V
Zero balance	0.2	+mV/V
Zero Return, 30 min.	0.0170	$\pm$ % of applied load
Total Error (per OIML R60)	0.0200	$\pm$ % of rated output
Temperature effect on zero	0.004	$\pm$ % of rated output/ $^{\circ}$ C
Temperature effect on output	0.0010	$\pm$ % of load/ $^{\circ}$ C
Eccentric loading error	0.0074	$\pm$ % of rated load/cm
Temperature range, compensated	-10 to +40	$^{\circ}$ C
Temperature range, safe	-20 to +70	$^{\circ}$ C
Maximum safe central overload	150	% of R.C.
Ultimate central overload	300	% of R.C.
Excitation, recommended	10	Vdc or Vac rms
Excitation, maximum	15	Vdc or Vac rms
Input impedance	385 $\pm$ 15	Ohms
Output impedance	350 $\pm$ 3	Ohms
Insulation resistance	>2000	Mega-Ohms
Cable length	1.0	m
Cable type	6 wire, PVC, single floating screen	Standard
Construction	Stainless steel	
Environmental protection	IP65*	
Platform size (max)	400 x 400	mm
Recommended torque	Up to 30kg: 7.0 50kg & up: 10.0	N*m

\* IP67 available on request

**WIRING SCHEMATIC DIAGRAM****VISHAY TRANSDUCERS (VT) SALES OFFICES**

**VT Americas**  
City of Industry, CA  
PH: +1-626-858-8899  
FAX: +1-626-332-3418  
vt.us@vishaymg.com

**VT Netherlands**  
Breda  
PH: +31-76-548-0700  
FAX: +31-76-541-2854  
vt.nl@vishaymg.com

**VMG UK**  
Basingstoke  
PH: +44-125-646-2131  
FAX: +44-125-647-1441  
vt.uk@vishaymg.com

**VMG Israel**  
Netanya  
PH: +972-9-863-8888  
FAX: +972-9-863-8800  
vt.il@vishaymg.com

**VMG Germany**  
Heilbronn  
PH: +49-7131-3901-260  
FAX: +49-7131-3901-2666  
vt.de@vishaymg.com

**VT China**  
Tianjin  
PH: +86-22-2835-3503  
FAX: +86-22-2835-7261  
vt.prc@vishaymg.com

**VMG France**  
Chartres  
PH: +33-2-37-33-31-20  
FAX: +33-2-37-33-31-29  
vt.fr@vishaymg.com

**VT Taiwan\***  
Taipei  
PH: +886-2-2696-0168  
FAX: +886-2-2696-4965  
vt.roc@vishaymg.com  
\*Asia except China