

## Stainless Steel Single Point Load Cell



ATEX



### FEATURES

- Capacities 7 - 100kg
- Stainless steel construction
- Single point 400 x 400mm platform
- OIML R60 and NTEP approved
- IP66 protection
- Available with metric and UNC threads

### OPTIONAL FEATURES

- EEx ia IIC T4 - hazardous area approval
- FM approval available

### DESCRIPTION

Model 1130 is a low profile stainless steel single point load cell ideally designed for direct mounting in bench and platform scales, packaging and process weighing equipment, and is built to perform in harsh environments.

The small physical size, combined with high accuracy and low cost, makes this load cell ideally suited for low profile bench and counting scales. A special humidity resistant protective coating assures long term stability over the entire compensated temperature range.

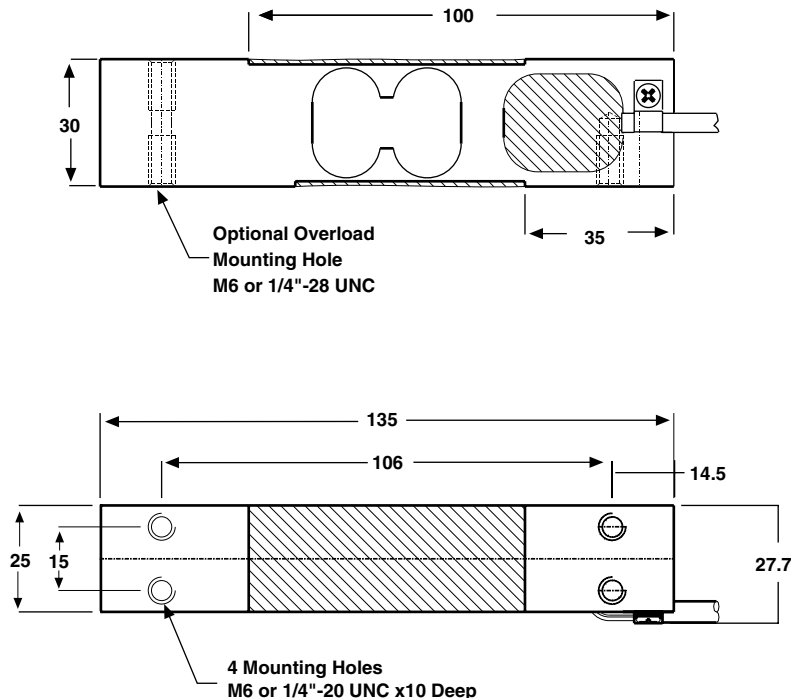
Constructed in stainless steel this high accuracy load cell is approved to stringent approval standards e.g OIML and NTEP.

The two additional sense wires feed back the voltage reaching the load cell. Complete compensation of changes in lead resistance due to temperature change and/or cable extension, is achieved by feeding this voltage into the appropriate electronics.

### APPLICATIONS

- Harsh environment small platforms
- Harsh environment check weighing

### OUTLINE DIMENSIONS in mm



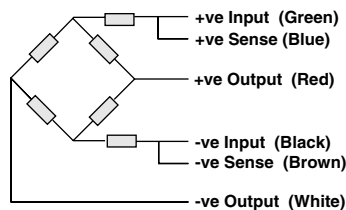


**SPECIFICATIONS**

PARAMETER	VALUE				UNIT
	NTEP	Non-Approved	C3*	C6**	
NTEP/OIML Accuracy class					
Maximum no. of intervals (n)	4000 single	1000	3000***	6000****	
$Y = E_{max}/V_{min}$	15000	2000	15000	15000	
Rated capacity-R.C. ( $E_{max}$ )	7, 10, 15, 20, 30, 50, 75, 100				kg
Rated output-R.O.	2.0				mV/V
Rated output tolerance	0.2				±mV/V
Zero balance	0.2				+mV/V
Zero Return, 30 min.	0.0250	0.0300	0.0170	0.0083	±% of applied load
Total Error (per OIML R60)	0.0015	0.0500	0.0200	0.0100	±% of rated output
Temperature effect on zero	0.0030	0.0100	0.0023	0.0024	±% of rated output/°C
Temperature effect on output	0.0008	0.0030	0.0010	0.00058	±% of applied load/°C
Eccentric loading error	0.0035	0.0074	0.0049	0.0024	±% of rated load/cm
Temp. range, compensated	-10 to +40				°C
Temp. range, safe	-20 to +70				°C
Maximum safe central overload	150				% of R.C.
Ultimate central overload	300				% of R.C.
Excitation, recommended	10				Vdc or Vac rms
Excitation, maximum	15				Vdc or Vac rms
Input impedance	385±15				Ohms
Output impedance	350±3				Ohms
Insulation resistance	>2000				Mega-Ohms
Cable length	1.5				m
Cable type	6wire, PVC, single floating screen				Standard
Construction	Stainless steel				
Environmental protection	IP66				
Platform size (max)	400 x 400				mm
Recommended torque	13.0				N·m

- \* 50% utilization
- \*\* 60% utilization
- \*\*\* Capacities 50-75kg
- \*\*\*\* Capacities 7-30kg

**Wiring Schematic Diagram**



**Balanced Temperature Compensation**

**VISHAY TRANSDUCERS (VT) SALES OFFICES**

**VT Americas**  
 City of Industry, CA  
 PH: +1-626-858-8899  
 FAX: +1-626-332-3418  
 vt.us@vishaymg.com

**VT Netherlands**  
 Breda  
 PH: +31-76-548-0700  
 FAX: +31-76-541-2854  
 vt.nl@vishaymg.com

**VMG UK**  
 Basingstoke  
 PH: +44-125-646-2131  
 FAX: +44-125-647-1441  
 vt.uk@vishaymg.com

**VMG Israel**  
 Netanya  
 PH: +972-9-863-8888  
 FAX: +972-9-863-8800  
 vt.il@vishaymg.com

**VMG Germany**  
 Heilbronn  
 PH: +49-7131-3901-260  
 FAX: +49-7131-3901-2666  
 vt.de@vishaymg.com

**VT China**  
 Tianjin  
 PH: +86-22-2835-3503  
 FAX: +86-22-2835-7261  
 vt.prc@vishaymg.com

**VMG France**  
 Chartres  
 PH: +33-2-37-33-31-20  
 FAX: +33-2-37-33-31-29  
 vt.fr@vishaymg.com

**VT Taiwan\***  
 Taipei  
 PH: +886-2-2696-0168  
 FAX: +886-2-2696-4965  
 vt.roc@vishaymg.com  
 \*Asia except China