

High-performance Regulator IC Series for PCs



Switching Regulators for DDR-SDRAM Cores

BD9535MUV

●Description

BD9535MUV is a 2ch switching regulator controller with high output current which can achieve low output voltage (0.7V~2.0V) from a wide input voltage range (4.5V~25V). High efficiency for the switching regulator can be realized by utilizing an external N-MOSFET power transistor. A new technology called H³RegTM is a Rohm proprietary control method to realize ultra high transient response against load change. SLLMTM (Simple Light Load Mode) technology is also integrated to improve efficiency in light load mode, providing high efficiency over a wide load range. For the soft start/stop function, variable frequency function, short circuit protection function with timer latch, and tracking function are all built in. This 2ch switching regulator is specially designed for Chipset and Front Side Bus.

●Features

- 1) 2ch H³REGTM Switching Regulator Controller
- 2) Light Load Mode and Continuous Mode Changeable
- 3) Thermal Shut Down (TSD), Under Voltage LockOut (UVLO),
Over Current (detect the peak current) Protection (OCP), Over Voltage Protection (OVP),
Short circuit protection with built-in timer-latch
- 4) Soft start function to minimize rush current during startup
- 5) Switching Frequency Variable (f=200KHz~600kHz)
- 6) VQFN032V5050 package
- 7) Built-in Power good circuit
- 8) Adjustable to chip set spec by tracking function

●Applications

Laptop PC, Desktop PC, LCD-TV, Digital Components

● Maximum Absolute Ratings (Ta=25°C)

| Parameter | Symbol | Rating | Unit |
|-------------------------------|--------------------------|------------------|------|
| Input Voltage 1 | VCC | 7 ^{*1} | V |
| Input Voltage 2 | VDD | 7 ^{*1} | V |
| Input Voltage 3 | VIN | 30 ^{*1} | V |
| BOOT Voltage | VBOOT1/2 | 35 ^{*1} | V |
| BOOT-SW Voltage | VBOOT1-VSW1, VBOOT2-VSW2 | 7 ^{*1} | V |
| HG-SW Voltage | VHG1-VSW1, VHG2-VSW2 | 7 ^{*1} | V |
| LG Voltage | VLG1/2 | VDD | V |
| Setting for Output Voltage | VREF1/2 | VCC | V |
| Output voltage | VIs+1/2, VIs-1/2 | VCC | V |
| SS Voltage | VSS1/2 | VCC | V |
| FS Voltage | VFS | VCC | V |
| VREG voltage | VREG | VCC | V |
| Current Limit setting Voltage | VILIM1/2 | VCC | V |
| Logic Input Voltage | VEN1/2 | 7 ^{*1} | V |
| PGOOD Voltage | VPGOOD1/2 | 7 ^{*1} | V |
| CE Voltage | VCE1/2 | 7 ^{*1} | V |
| Power dissipation | Pd | T.B.D | W |
| Operating Temperature Range | Topr | -10~+100 | °C |
| Storage Temperature Range | Tstg | -55~+150 | °C |
| Junction Temperature | Tjmax | +150 | °C |

*1 Not to exceed Pd.

● Operating Conditions (Ta=25°C)

| Parameter | Symbol | Min. | Max. | Unit |
|------------------------------------|----------------------|------|------|------|
| Input Voltage 1 | VCC | 4.5 | 5.5 | V |
| Input Voltage 2 | VDD | 4.5 | 5.5 | V |
| Input Voltage 3 | VIN | 3.0 | 28 | V |
| BOOT Voltage | VBOOT1/2 | 4.5 | 30 | V |
| SW Voltage | VSW1/2 | -2 | 33 | V |
| BOOT-SW Voltage | VHG1-VSW1, VHG2-VSW2 | 4.5 | 5.5 | V |
| Logic Input Voltage | VEN1/2 | 0 | 5.5 | V |
| Setting Voltage for Output Voltage | VREF1/2 | 0.7 | 2.0 | V |
| Is Input Voltage | VIs+1/2, VIs-1/2 | 0.7 | 2.0 | V |
| MIN ON time | tonmin | - | 100 | nsec |

★ This product should not be used in a radioactive environment.

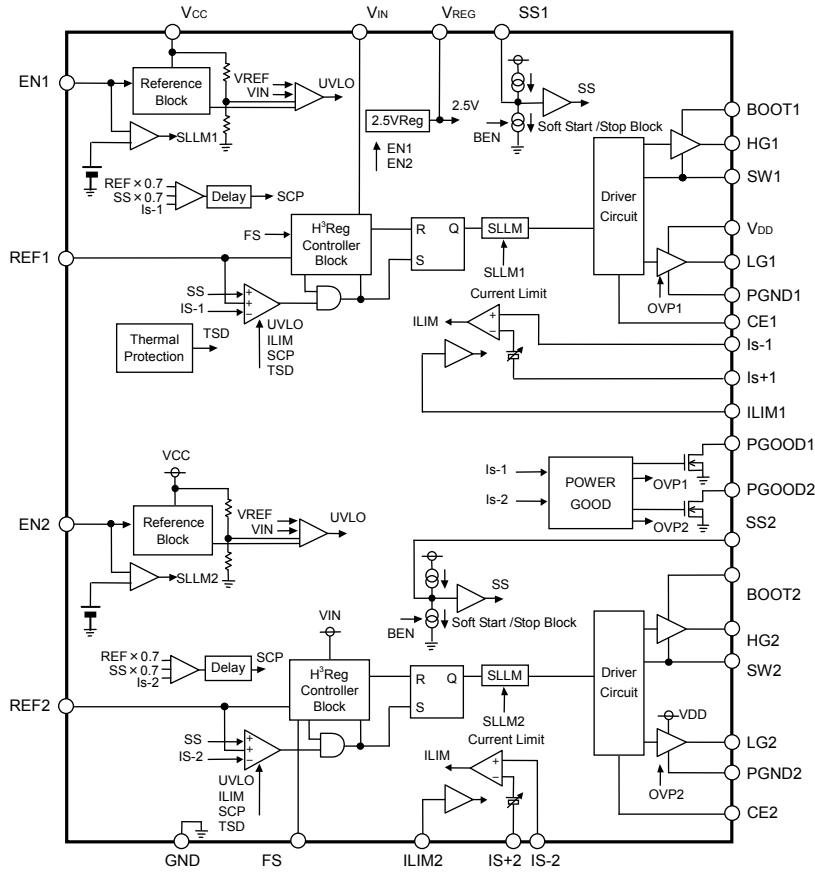
●ELECTRICAL CHARACTERISTICS

(unless otherwise noted, Ta=25°C VCC=5V,VDD=5V,VEN=3V,VIN=12V,VREF=1.8V,RFS=68kΩ)

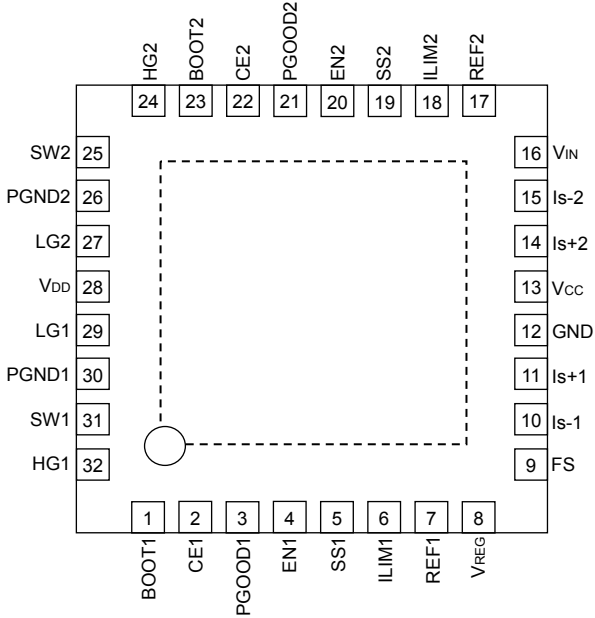
| Parameter | Symbol | Standard Value | | | Unit | Conditions |
|---|--------------------------|----------------|----------------|----------------|------|---|
| | | MIN. | TYP. | MAX. | | |
| [Whole Device] | | | | | | |
| VCC bias current | Icc | - | 1.4 | 2.0 | mA | |
| VIN bias current | IIN | - | 200 | 400 | μA | |
| VCC standby current | Istb | - | - | 20 | μA | VEN1=VEN2=0V |
| VIN standby current | IIN_Stb | - | 20 | 40 | μA | VEN1=VEN2=0V |
| EN Low voltage 1,2 | VEN_low1,2 | GND | - | 0.8 | V | |
| EN High voltage 1,2 (forced continuous mode) | VENth_con1,2 | 2.3 | - | 3.8 | V | |
| EN High voltage 1,2 (SLLM mode) | VENth_sllm1,2 | 4.2 | - | 5.5 | V | |
| EN bias current 1,2 | IEN1,2 | - | 7 | 10 | μA | |
| VREG voltage | VREG1,2 | 2.475 | 2.500 | 2.525 | V | I _{REG} =500 μA Ta=-10~100°C ² |
| [Under voltage lock out block] | | | | | | |
| VCC threshold voltage | Vcc_UVLO | 4.1 | 4.3 | 4.5 | V | VCC:Sweep up |
| VCC hysteresis voltage | dVcc_UVLO | 100 | 160 | 220 | mV | VCC:Sweep down |
| VIN threshold voltage | VIN_UVLO | 2.4 | 2.6 | 2.8 | V | VIN:Sweep up |
| VIN hysteresis voltage | dVIN_UVLO | 100 | 160 | 220 | mV | VIN:Sweep down |
| VREG threshold voltage | VREG_UVLO | 2.0 | 2.2 | 2.4 | V | VREG:Sweep up |
| VREG hysteresis voltage | dVREG_UVLO | 100 | 160 | 220 | mV | VREG:Sweep down |
| [Over Voltage Protection block] | | | | | | |
| VOU _T threshold voltage 1,2 | VOU _T _OVP1,2 | VREF × 1.15 | VREF × 1.20 | VREF × 1.25 | V | |
| [Power Good block] | | | | | | |
| VOU _T Power Good Low voltage 1,2 | VPGOOD_low1,2 | VREF × 0.87 | VREF × 0.90 | VREF × 0.93 | V | |
| VOU _T Power Good High voltage 1,2 | VPGOOD_high1,2 | VREF × 1.07 | VREF × 1.10 | VREF × 1.13 | V | |
| Discharge ON resistance 1,2 | Ron_PGOOD1,2 | - | 1.0 | 2.0 | kΩ | |
| Delay time 1,2 | TPGOOD1,2 | 150 | 250 | 350 | μsec | |
| [H³REG™ Control block] | | | | | | |
| ON Time1 | ton1 | 400 | 500 | 600 | nsec | RFS=68kΩ |
| MAX ON Time 1 | Tonmax1 | 2.5 | 3.0 | 3.5 | μsec | |
| MIN OFF Time 1 | Toffmin1 | 500 | 600 | 700 | nsec | |
| ON Time 2 | ton2 | 250 | 350 | 450 | nsec | RFS=68kΩ |
| MAX ON Time 2 | Tonmax2 | 2.5 | 3.0 | 3.5 | μsec | |
| MIN OFF Time 2 | Toffmin2 | 500 | 600 | 700 | nsec | |
| [FET Driver block] | | | | | | |
| HG upper side ON resistance 1,2 | RHGhon1,2 | - | 3.0 | 6.0 | Ω | |
| HG lower side ON resistance 1,2 | RHGlon1,2 | - | 2.0 | 4.0 | Ω | |
| LG upper side ON resistance 1,2 | RLGhon1,2 | - | 2.0 | 4.0 | Ω | |
| LG lower side ON resistance 1,2 | RLGlon1,2 | - | 0.5 | 1.0 | Ω | |
| [Soft Start block] | | | | | | |
| Charge current | ISS_char1,2 | 1.5 | 2 | 2.5 | μA | |
| Discharge current | ISS_dis1,2 | 1.5 | 2 | 2.5 | μA | |
| Discharge threshold voltage | VSS_disth1,2 | - | 0.1 | 0.2 | V | |
| Standby voltage | VSS_STB1,2 | - | - | 50 | mV | |
| [Current Limit block] | | | | | | |
| Current limit threshold voltage 1_1,2 | Vlim11,2 | 40 | 50 | 60 | mV | VILIM=0.5V |
| Current limit threshold voltage 2_1,2 | Vlim21,2 | 170 | 200 | 230 | mV | VILIM =2.0V |
| Reflux current limit threshold voltage1_1,2 | VRelim11,2 | -60 | -50 | -40 | mV | VILIM =0.5V |
| Reflux current limit threshold voltage2_1,2 | VRelim21,2 | -230 | -200 | -170 | mV | VILIM =2.0V |
| [Output Voltage Sense block] | | | | | | |
| Vis offset voltage1,2 | Vis_off1,2 | VREF -3m | VREF | VREF +3m | V | Ta=-10~100°C ² |
| REF bias current1,2 | IREF1,2 | -100 | 0 | 100 | nA | |
| Is+ input current1,2 | IIs+1,2 | -100 | 0 | 100 | nA | VIs+=1.8V |
| Is- input current1,2 | IIs-1,2 | -100 | 0 | 100 | nA | VIs-=1.8V |
| [SCP block] | | | | | | |
| Threshold voltage 1,2 | Vthscp1,2 | - | VREF × 0.7 | - | V | |
| Delay time 1,2 | tscp1,2 | 0.7 | 1 | 1.3 | msec | |

²Designed guarantee

●Block Diagram



●Pin Configuration



●Pin Function Table

| PIN No. | PIN name | PIN function |
|---------|----------|---|
| 1 | BOOT1 | HG driver power supply pin 1 |
| 2 | CE1 | Reactive pin 1 for lower ESR output capacitor |
| 3 | PGOOD1 | Power good signal output pin 1 |
| 4 | EN1 | Enable input pin 1 (0~0.8V:OFF, 2.3~3.8V:continuous mode, 4.2~5.5V:SLLM™) |
| 5 | SS1 | Connective pin 1 of capacitor for soft start/soft stop |
| 6 | ILIM1 | Current limit setting pin 1 |
| 7 | REF1 | Output voltage setting pin 1 |
| 8 | VREG | Reference voltage inside IC (Output : 2.5V) |
| 9 | FS | Resistance connective pin for setting frequency |
| 10 | IS-1 | Current sense pin- 1 |
| 11 | IS+1 | Current sense pin+ 1 |
| 12 | GND | Sense GND |
| 13 | VCC | Power supply input pin |
| 14 | IS+2 | Current sense pin+ 2 |
| 15 | IS-2 | Current sense pin- 2 |
| 16 | VIN | Battery voltage sense pin |
| 17 | REF2 | Output voltage setting pin 2 |
| 18 | ILIM2 | Current limit setting pin 2 |
| 19 | SS2 | Connective pin 2 of capacitor for soft start/soft stop |
| 20 | EN2 | Enable input pin 2 (0~0.8V:OFF, 2.3~3.8V:continuous mode, 4.2~5.5V:SLLM™) |
| 21 | PGOOD2 | Power good signal input pin 2 |
| 22 | CE2 | Reactive pin 2 for lower ESR output capacitor |
| 23 | BOOT2 | HG driver power supply pin 2 |
| 24 | HG2 | High side FET gate drive pin 2 |
| 25 | SW2 | High side FET source pin 2 |
| 26 | PGND2 | Power GND2 |
| 27 | LG2 | Low side FET gate drive pin 2 |
| 28 | VDD | Power supply input pin |
| 29 | LG1 | Low side FET gate drive pin 1 |
| 30 | PGND1 | Power GND 1 |
| 31 | SW1 | High side FET source pin 1 |
| 32 | HG1 | High side FET gate drive pin 1 |
| reverse | FIN | substrate |

● Reference Data

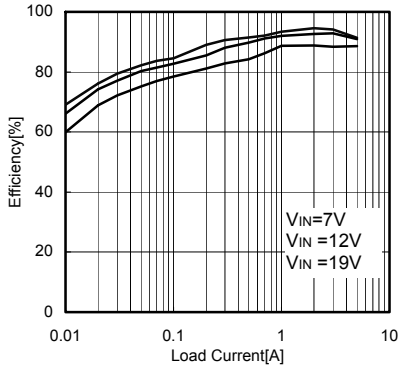


Fig.1 Io-efficiency (SLLM)

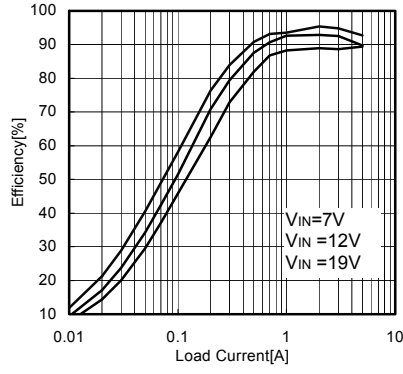


Fig.2 Io-efficiency (Continuous mode)

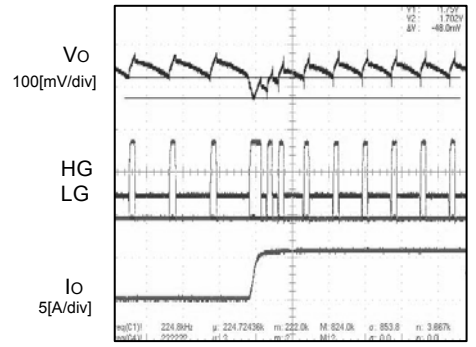


Fig.3 Transitional response (Io=0 to 5A) (Continuous mode)

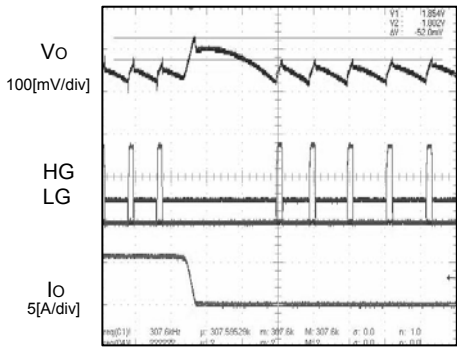


Fig.4 Transitional response (Io=5 to 0A) (Continuous mode)

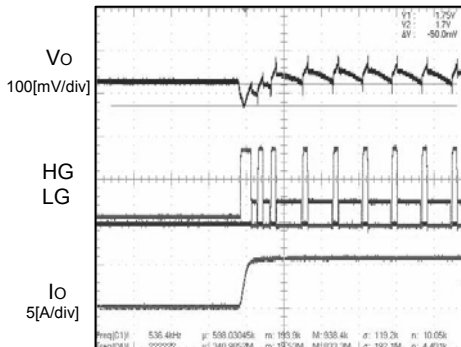


Fig.5 Transitional response (Io=0 to 5A) (SLLM)

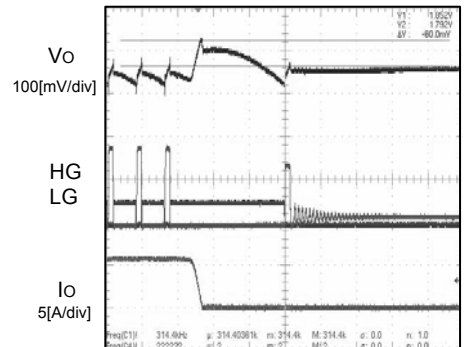


Fig.6 Transitional response (Io=5 to 0A) (SLLM)

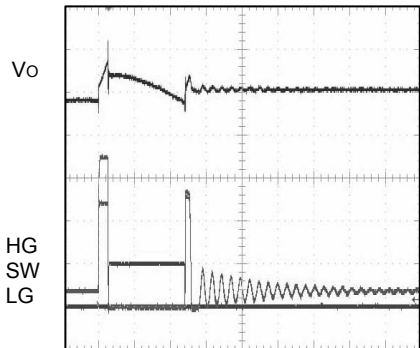


Fig.7 SLLM : Io=0A

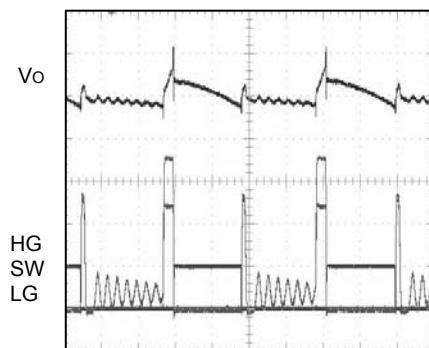


Fig.8 SLLM : Io=0.4A

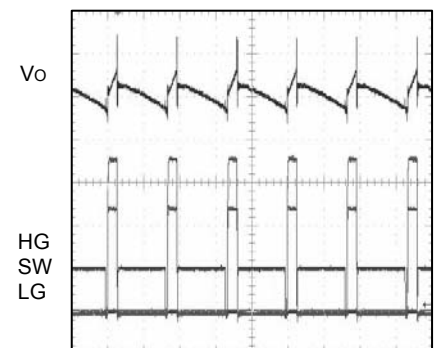


Fig.9 SLLM : Io=1A

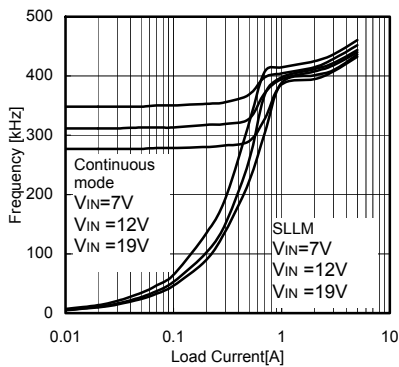


Fig.10 Io-Frequency

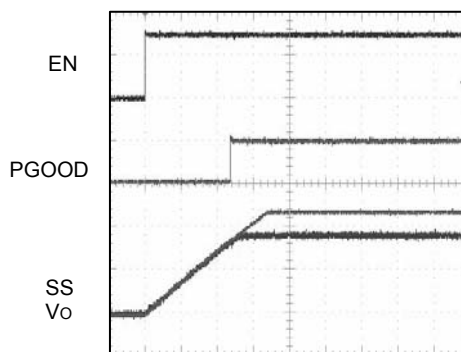


Fig.11 starting wave

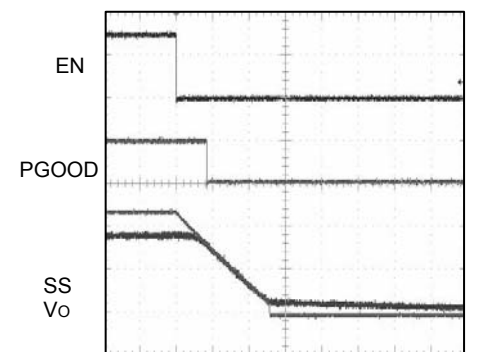
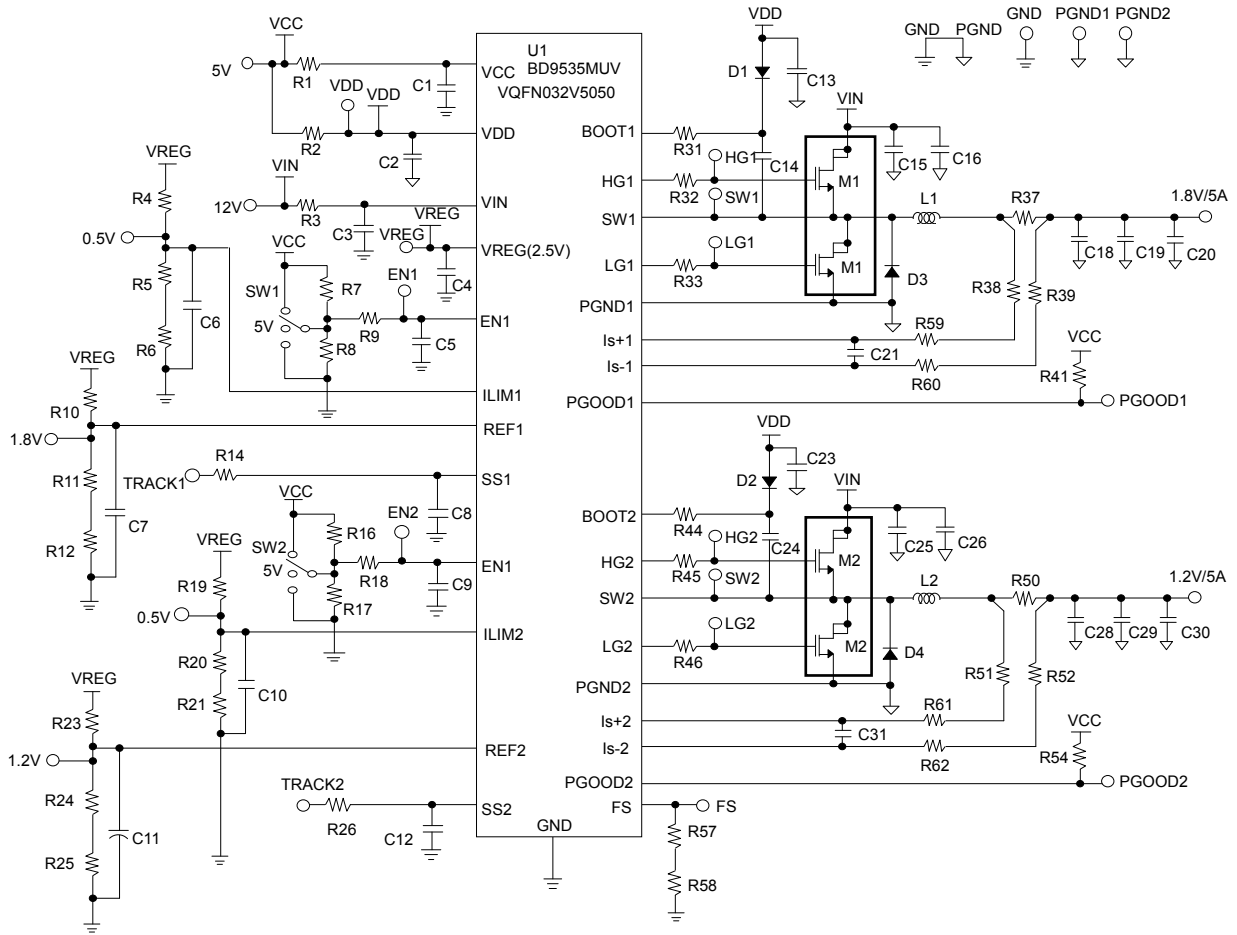


Fig.12 stopping wave

● Evaluation Board Circuit



● Evaluation Board Parts List

| Designation | Value | Part No. | Company |
|-------------|--------|-----------------|---------|
| R1 | 10 Ω | MCR03EZPF10R0 | ROHM |
| R2 | 0 Ω | MCR03EZHZJ000 | ROHM |
| R3 | 1k Ω | MCR03EZPF1001 | ROHM |
| R4 | 200k Ω | MCR03EZPF2003 | ROHM |
| R5 | 51k Ω | MCR03EZPF5102 | ROHM |
| R6 | 0 Ω | MCR03EZHZJ000 | ROHM |
| R7 | 51k Ω | MCR03EZPF5102 | ROHM |
| R8 | 91k Ω | MCR03EZPF9102 | ROHM |
| R9 | 0 Ω | MCR03EZHZJ000 | ROHM |
| R10 | 22k Ω | MCR03EZPF2202 | ROHM |
| R11 | 56k Ω | MCR03EZPF5602 | ROHM |
| R12 | 0 Ω | MCR03EZHZJ000 | ROHM |
| R14 | 10k Ω | MCR03EZPF1002 | ROHM |
| R16 | 51k Ω | MCR03EZPF5102 | ROHM |
| R17 | 91k Ω | MCR03EZPF9102 | ROHM |
| R18 | 0 Ω | MCR03EZHZJ000 | ROHM |
| R19 | 200k Ω | MCR03EZPF2003 | ROHM |
| R20 | 51k Ω | MCR03EZPF5102 | ROHM |
| R21 | 0 Ω | MCR03EZHZJ000 | ROHM |
| R23 | 39k Ω | MCR03EZPF3902 | ROHM |
| R24 | 36k Ω | MCR03EZPF3602 | ROHM |
| R25 | 0 Ω | MCR03EZHZJ000 | ROHM |
| R26 | 10k Ω | MCR03EZPF1002 | ROHM |
| R31 | 0 Ω | MCR03EZHZJ000 | ROHM |
| R32 | 0 Ω | MCR03EZHZJ000 | ROHM |
| R33 | 0 Ω | MCR03EZHZJ000 | ROHM |
| R37 | 7m Ω | PMR100HZPFU7L00 | ROHM |
| R38 | 0 Ω | MCR03EZHZJ000 | ROHM |
| R39 | 0 Ω | MCR03EZHZJ000 | ROHM |
| R41 | 100k Ω | MCR03EZPF1003 | ROHM |
| R44 | 0 Ω | MCR03EZHZJ000 | ROHM |
| R45 | 0 Ω | MCR03EZHZJ000 | ROHM |
| R46 | 0 Ω | MCR03EZHZJ000 | ROHM |
| R50 | 7m Ω | PMR100HZPFU7L00 | ROHM |
| R51 | 0 Ω | MCR03EZHZJ000 | ROHM |
| R52 | 0 Ω | MCR03EZHZJ000 | ROHM |

| Designation | Value | Part No. | Company |
|-------------|-----------|------------------|---------|
| R54 | 100k Ω | MCR03EZPF1003 | ROHM |
| R57 | 75k Ω | MCR03EZPF7502 | ROHM |
| R58 | 0 Ω | MCR03EZHZJ000 | ROHM |
| R59 | 100 Ω | MCR03EZPF1000 | ROHM |
| R60 | 100 Ω | MCR03EZPF1000 | ROHM |
| R61 | 100 Ω | MCR03EZPF1000 | ROHM |
| R62 | 100 Ω | MCR03EZPF1000 | ROHM |
| C1 | 10uF | CM21B106M06A | ROHM |
| C2 | 10uF | CM21B106M06A | ROHM |
| C3 | 0.01uF | MCH185CN103KB | ROHM |
| C4 | 1uF | CM105B105K06A | ROHM |
| C6 | 0.1uF | MCH185CN104K | ROHM |
| C7 | 0.1uF | MCH185CN104K | ROHM |
| C8 | 0.047uF | MCH185CN473K | ROHM |
| C10 | 0.1uF | MCH185CN104K | ROHM |
| C11 | 0.1uF | MCH185CN104K | ROHM |
| C12 | 0.047uF | MCH185CN473K | ROHM |
| C13 | 10uF | CM21B106M06A | ROHM |
| C14 | 0.1uF | MCH185CN104K | ROHM |
| C15 | 10uF(25V) | CT32X5R106K25A | KYOCERA |
| C18 | 200uF | 2R5TPE220MF | SANYO |
| C21 | 100pF | MCH185A101J | ROHM |
| C23 | 10uF | CM21B106M06A | ROHM |
| C24 | 0.1uF | MCH185CN104K | ROHM |
| C26 | 10uF(25V) | CT32X5R106K25A | KYOCERA |
| C28 | 200uF | 2R5TPE220MF | SANYO |
| C31 | 100pF | MCH185A101J | ROHM |
| D1 | - | PB521S-30 | ROHM |
| D2 | - | PB521S-30 | ROHM |
| D3 | - | RSX501L-20 | ROHM |
| D4 | - | RSX501L-20 | ROHM |
| L1 | 2.5uH | CDEP105-2R5MC-32 | Sumida |
| L2 | 2.5uH | CDEP105-2R5MC-32 | Sumida |
| M1 | - | SP8K4(2in1) | ROHM |
| M2 | - | SP8K4(2in1) | ROHM |
| U1 | - | BD9535MUV | ROHM |

● Pin Descriptions

- Vcc (13pin)

This is the power supply pin for IC internal circuits, except the FET driver. The maximum circuit current is 2.0mA. The input supply voltage range is 4.5V to 5.5V. It is recommended that a 0.1uF bypass capacitor be put in this pin.
- EN1/EN2 (4pin/20pin)

When EN pin voltage is at least 2.3V, the status of this switching regulator become active. Conversely, the status switches off when EN pin voltage goes lower than 0.8V and circuit current becomes 20uA or less. This pin is also switch pin of SLLM™. The voltage is 2.3V to 3.8V : forced continuous mode, 4.2V to 5.5V : SLLM™. These operating modes are changeable to control by power supply system 3.3V or 5V.
- VDD (28pin)

This is the power supply pin to drive the LOW side FET. It is recommended that a 1uF bypass capacitor be established to compensate for rush current during the FET ON/OFF transition.
- VREG (8pin)

This is the reference voltage output pin. The voltage is 2.5V, with 100uA current ability. It is recommended that a 1uF capacitor be established between VREF and GND. It is available to set VREF by the resistance division value from VREG in case VREF is not set from an external power supply.
- REF1/REF2 (7pin/17pin)

This is the setting pin for output voltage of switching regulator. It is so convenient to be synchronized to outside power supply. This IC controls the voltage in the status of $VREF1 \doteq V_{is-1}$ or $VREF2 \doteq V_{is-2}$.
- ILIM1/ILIM2 (6pin/18pin)

BD9535MUV detects the voltage between Is+ pin and Is- pin and limits the output current (OCP). Voltage equivalent to 1/10 of the ILIM voltage is the voltage drop of external current sense resistor. A very low current sense resistor or inductor DCR can also be used for this platform.
- SS1/SS2 (5pin/19pin)

This is the adjustment pin to set the soft start/stop time. SS voltage is low during standby status. When EN is ON, the soft start time can be determined by the SS charge current and capacitor between SS-GND. Until SS reaches REF voltage, the output voltage is equivalent to SS voltage.
- VIN (16pin)

The duty cycle is determined by input voltage and controls output voltage. In other words, the output voltage is affected by input voltage. Therefore, when VIN voltage fluctuates, the output voltage becomes also unstable. Since the VIN line is also the input voltage of the switching regulator, stability depends on the impedance of the voltage supply. It is recommended to establish a bypass capacitor or CR filter suitable for the actual application.
- FS (9pin)

This is the pin to adjust the switching frequency with the resistor. The frequency range is from 200kHz to 600kHz.
- Is+1/Is+2, Is-1/Is-2 (11pin/14pin/10pin/15pin)

These pins are connected to both sides of the current sense resistor to detect output current. The voltage drop between Is+ and Is- is compared with the voltage equivalent to 1/10 of ILIM voltage. When this voltage drop hits the specified voltage level, the output voltage is OFF.
- BOOT1/BOOT2 (1pin/23pin)

This is the voltage supply to drive the high side FET. The maximum absolute ratings are 35V (from GND) and 7V (from SW). BOOT voltage swings between (VIN+Vcc) and Vcc during active operation.
- HG1/HG2 (29pin/27pin)

This is the voltage supply to drive the Gate of the high side FET. This voltage swings between BOOT and SW. High-speed Gate driving for the high side FET is achieved due to the low on-resistance (3 ohm when HG is high, 2 ohm when HG is low) driver.
- SW1/SW2 (31pin/25pin)

This is the source pin for the high side FET. The maximum absolute ratings are 30V (from GND). SW voltage swings between VIN and GND.
- LG1/LG2 (29pin/27pin)

This is the voltage supply to drive the Gate of the low side FET. This voltage swings between VDD and PGND. High-speed Gate driving for the low side FET is achieved due to the low on-resistance (3 ohm when LG is high, 0.5 ohm when LG is low) driver.
- PGND1/PGND2 (30pin/26pin)

This is the power ground pin connected to the source of the low side FET. This is the source pin for low-side FET. It is prepared for each channel to reduce the interference among channels.
- PGOOD1/PGOOD2 (3pin/21pin)

This is the monitor pin for output voltage (Is-1/Is-2). When the output voltage is within 10% of setting voltage (REF1/2), High is output. It is open drain pin and connects to other power supply through the pull-up resistance.
- CE1/PCE2 (2pin/22pin)

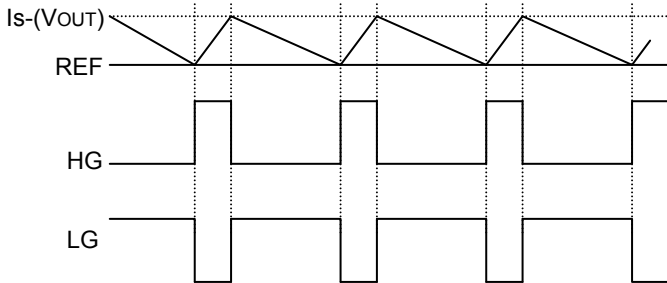
This pin is helpful for using ceramic capacitor as output capacitor. It is stable to use low ESR capacitor (small ripple voltage).
- GND (12pin)

This is GND pin for Analog and Digital series. Set the reverse side of IC equivalent to the voltage of this pin.

● Explanation of Operation

The BD9535MUV is a 2ch synchronous buck regulator controller incorporating ROHM's proprietary H³REG CONTROLLA control system. When V_{OUT} drops due to a rapid load change, the system quickly restores V_{OUT} by extending the TON time interval. Thus, it serves to improve the regulator's transient response. Activating the Light Load Mode will also exercise Simple Light Load Mode (SLLM) control when the load is light, to further increase efficiency.

H³Reg™ control
(Normal operation)

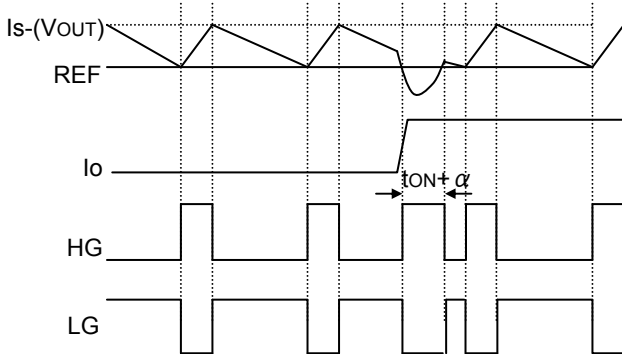


When V_{OUT} falls to a threshold voltage (REF), the drop is detected, activating the H³REG CONTROLLA system.

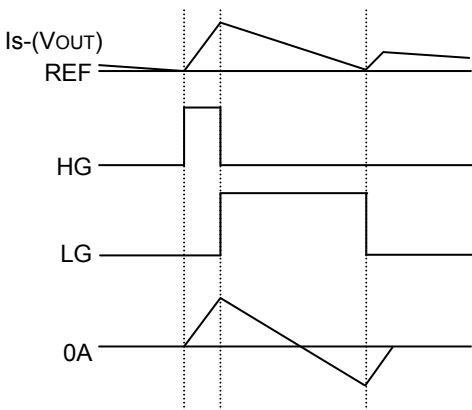
$$t_{ON} = \frac{REF}{V_{IN}} \times \frac{1}{f} \text{ [sec]} \dots (1)$$

HG output is determined by the formula above.

(V_{OUT} drops due to a rapid load change)

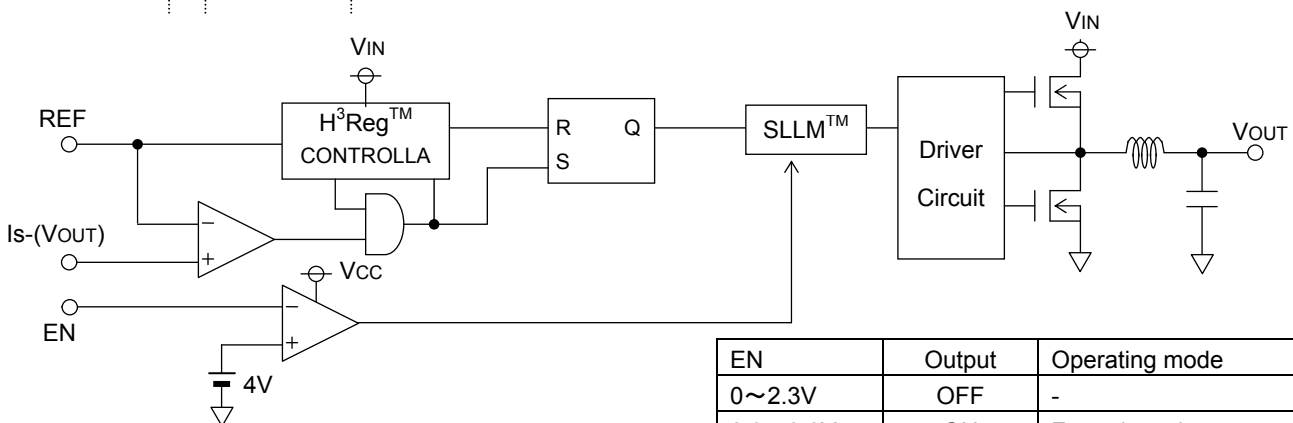


When V_{OUT} drops due to a rapid load change, and the voltage remains below REF after the programmed t_{ON} time interval has elapsed, the system quickly restores V_{OUT} by extending the t_{ON} time, improving the transient response.



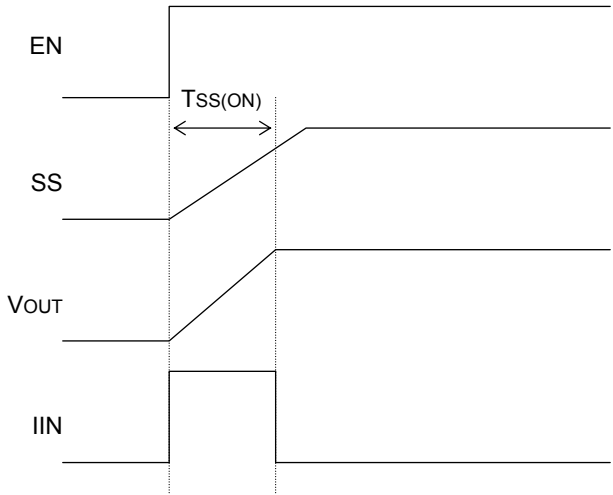
In SLLM (SLLM=0V), SLLM function is operated when LG pin is OFF and the coil current is lower than 0A (the current goes from V_{OUT} to SW). And it stops to output next HG.

When V_{OUT} goes lower than REF voltage again, the status of HG is ON.



| EN | Output | Operating mode |
|----------|--------|------------------------|
| 0~2.3V | OFF | - |
| 2.3~3.8V | ON | Forced continuous mode |
| 4.2~5.5V | ON | SLLM™ |

● Timing Chart
 • Soft Start Function



Soft start is exercised with the EN pin set high. Current control takes effect at startup, enabling a moderate output voltage “ramping start.” Soft start timing and incoming current are calculated with formulas (2) and (3) below.

Soft start time

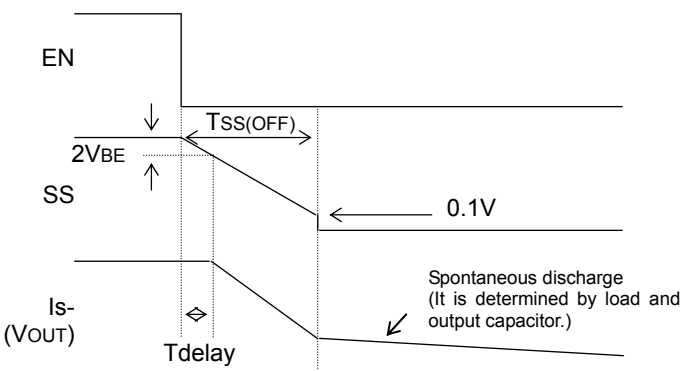
$$T_{SS(ON)} = \frac{REF \times C_{SS}}{2 \mu A (typ)} \text{ [sec]} \dots (2)$$

rush current

$$I_{IN} = \frac{C_o \times V_{OUT}}{T_{SS}} \text{ [A]} \dots (3)$$

(C_{SS}: Soft start capacitor; C_o: Output capacitor)

• Soft Stop Function



Soft stop is exercised with the EN pin set low. Current control takes effect at startup, enabling a moderate output voltage. Soft start timing and incoming current are calculated with formulas (4) below.

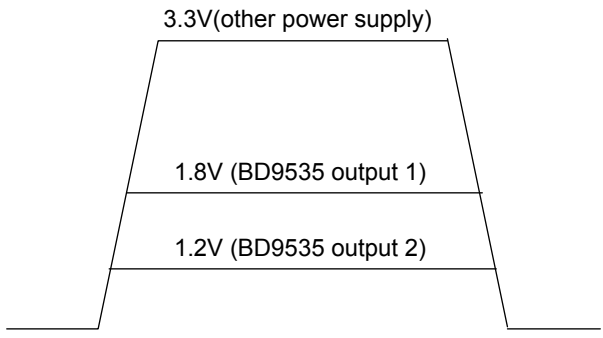
Soft stop time

$$T_{SS(OFF)} = \frac{(REF + 2V_{BE} - 0.1) \times C_{SS}}{2 \mu A (typ)} \text{ [sec]} \dots (4)$$

$V_{BE} = 0.6[V] \text{ (typ)}$

$T_{delay} = \frac{2V_{BE} \times C_{SS}}{2 \mu A (typ)} \text{ [sec]} \dots (5)$

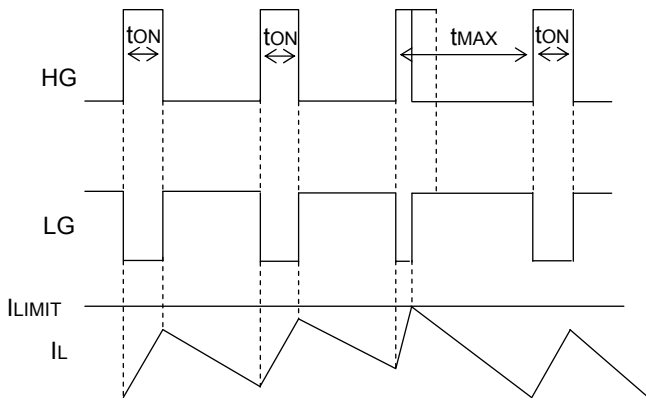
• Synchronous operation with other power supply



These power supply sequences are realized to connect SS pin to other power supply output through the resistance (10kΩ).

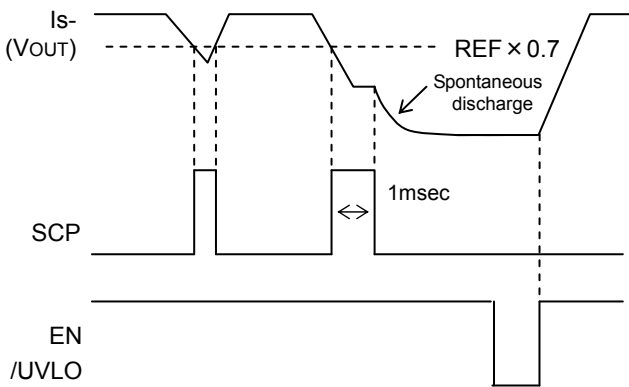
● Timing chart

• Over current protection circuit



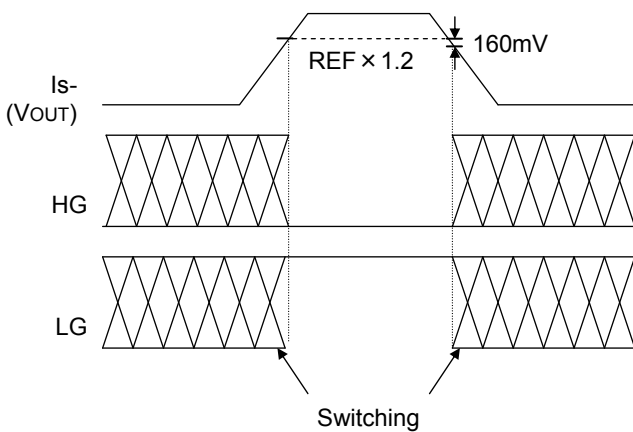
During the normal operation, when V_{OUT} becomes less than REF Voltage, HG becomes High during the time T_{ON}. However, when inductor current exceeds I_{LIMIT} threshold, HG becomes OFF. After MAX ON TIME, HG becomes ON again if the output voltage is lower than the specific voltage level and I_L is lower than I_{LIMIT} level.

• Timer Latch Type Short Circuit Protection



When output voltage (Is-) falls to REF × 0.7 or less, SCP comparator inside IC is exercised. If the status of High is continued 1ms or more (programmed time inside IC), the IC goes OFF. It can be restored either by reconnecting the EN pin or disabling UVLO.

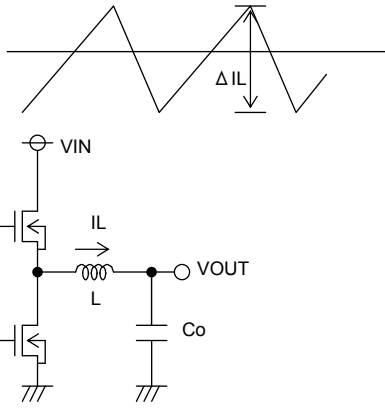
• Output Over Voltage Protection



When output rise to or above REF × 1.2, output over voltage protection is exercised, and low side FET goes up maximum for reducing output. (LG=High, HG=Low) . When output falls, it returns to the standard mode.

● External Component Selection

1. Inductor (L) selection



Output ripple current

The inductor value is a major influence on the output ripple current. As formula (5) below indicates, the greater the inductor or the switching frequency, the lower the ripple current.

$$\Delta I_L = \frac{(V_{IN} - V_{OUT}) \times V_{OUT}}{L \times V_{IN} \times f} \quad [A] \dots (6)$$

The proper output ripple current setting is about 30% of maximum output current.

$$\Delta I_L = 0.3 \times I_{OUTmax} \quad [A] \dots (7)$$

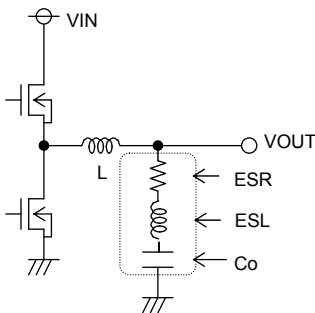
$$L = \frac{(V_{IN} - V_{OUT}) \times V_{OUT}}{L \times V_{IN} \times f} \quad [H] \dots (8)$$

(ΔI_L : output ripple current; f: switch frequency)

※ Passing a current larger than the inductor's rated current will cause magnetic saturation in the inductor and decrease system efficiency. In selecting the inductor, be sure to allow enough margin to assure that peak current does not exceed the inductor rated current value.

※ To minimize possible inductor damage and maximize efficiency, choose a inductor with a low (DCR, ACR) resistance.

2. Output Capacitor (Co) Selection



Output capacitor

When determining the proper output capacitor, be sure to factor in the equivalent series resistance required to smooth out ripple volume and maintain a stable output voltage range.

Output ripple voltage is determined as in formula (9) below.

$$\Delta V_{OUT} = \Delta I_L \times ESR + ESL \times \Delta I_L / T_{ON} \dots (9)$$

(ΔI_L : Output ripple current; ESR: Co equivalent series resistance, ESL: Co equivalent series inductance)

※ In selecting a capacitor, make sure the capacitor rating allows sufficient margin relative to output voltage. Note that a lower ESR can minimize output ripple voltage.

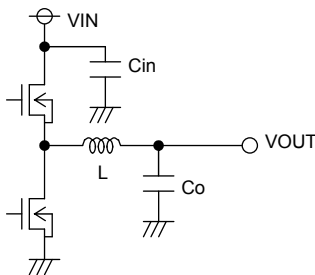
Please give due consideration to the conditions in formula (10) below for output capacity, bear in mind that output rise time must be established within the soft start time frame.

$$C_o \leq \frac{T_{SS} \times (\text{Limit} - I_{OUT})}{V_{OUT}} \dots (10)$$

T_{SS}: Soft start time
Limit: Over current detection
I_{OUT}: Output current

Note: Improper capacitor may cause startup malfunctions.

3. Input Capacitor (Cin) Selection



Input Capacitor

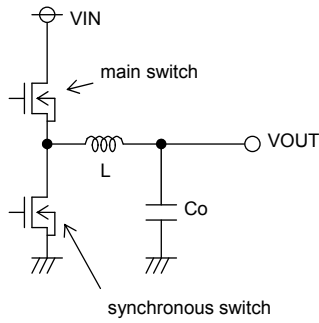
The input capacitor selected must have low enough ESR resistance to fully support large ripple output, in order to prevent extreme over current. The formula for ripple current IRMS is given in (11) below.

$$I_{RMS} = I_{OUT} \times \frac{\sqrt{V_{OUT} (V_{IN} - V_{OUT})}}{V_{IN}} \quad [A] \dots (11)$$

Where $V_{IN} = 2 \times V_{OUT}$, $I_{RMS} = \frac{I_{OUT}}{2}$

A low ESR capacitor is recommended to reduce ESR loss and maximize efficiency.

4. MOSFET Selection



Loss on the main MOSFET

$$P_{main} = P_{RON} + P_{GATE} + P_{TRAN}$$

$$= \frac{V_{OUT}}{V_{IN}} \times R_{ON} \times I_{OUT}^2 + Q_g \times f \times V_{DD} + \frac{V_{IN}^2 \times Cr_{SS} \times I_{OUT} \times f}{I_{DRIVE}} \dots (12)$$

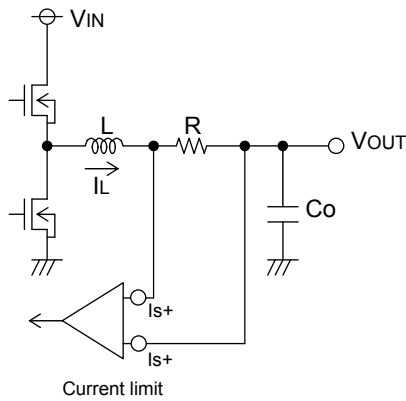
(R_{ON} : On-resistance of FET; Q_g : GATE total charge
 f : Switching frequency, Cr_{SS} : FET inverse transfer function;
 I_{DRIVE} : Gate peak current)

Loss on the synchronous MOSFET

$$P_{syn} = P_{RON} + P_{GATE}$$

$$= \frac{V_{IN} - V_{OUT}}{V_{IN}} \times R_{ON} \times I_{OUT}^2 + Q_g \times f \times V_{DD} \dots (13)$$

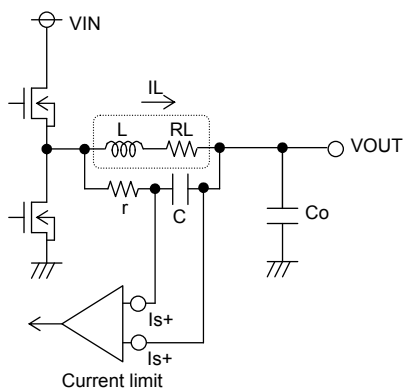
5. Setting Detection Resistance



The over current protection function detects the output ripple current peak value. This parameter (setting value) is determined as in formula (14) below.

$$I_{LIMIT} = \frac{V_{ILIM} \times 0.1}{R} [A] \dots (14)$$

(V_{ILIM} : ILIM voltage; R : Detection resistance)

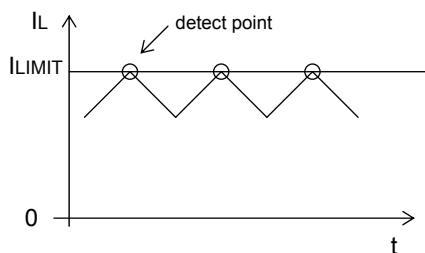


When the over current protection is detected by DCR of coil L, this parameter (setting value) is determined as in formula (14) below.

$$I_{LIMIT} = V_{ILIM} \times 0.1 \times \frac{r \times C}{L} [A] \dots (15)$$

$$(R_L = \frac{L}{r \times C})$$

(V_{ILIM} : ILIM voltage R_L : the DCR value of coil)

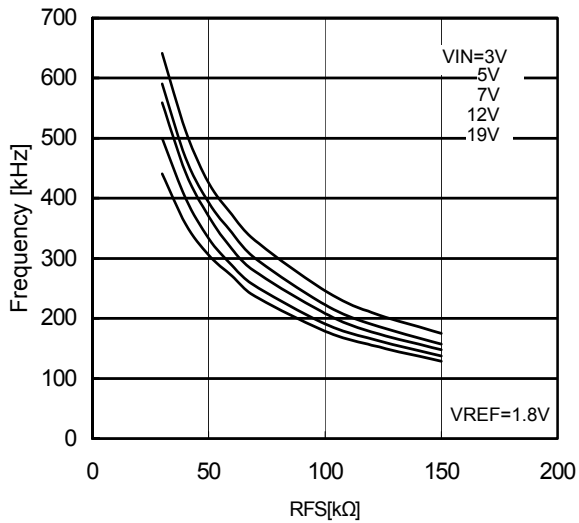


As soon as the voltage drop between $Is+$ and $Is-$ generated by the inductor current becomes specific threshold, the gate voltage of the high side MOSFET becomes low.

Since the peak voltage of the inductor ripple current is detected, this operation can sense high current ripple operation caused by inductance saturated rated current and lead to high reliable systems.

6. Setting frequency

【1ch】



The On Time (TON) at steady state is determined by resistance value connected to FS pin.

But actually SW rising time and falling time come up due to influence of the external MOSFET gate capacity or switching speed and TON is increased.

The frequency is determined by the following formula after TON, input current and the REF voltage are fixed.

$$F = \frac{REF}{V_{IN} \times T_{ON}} \dots (15)$$

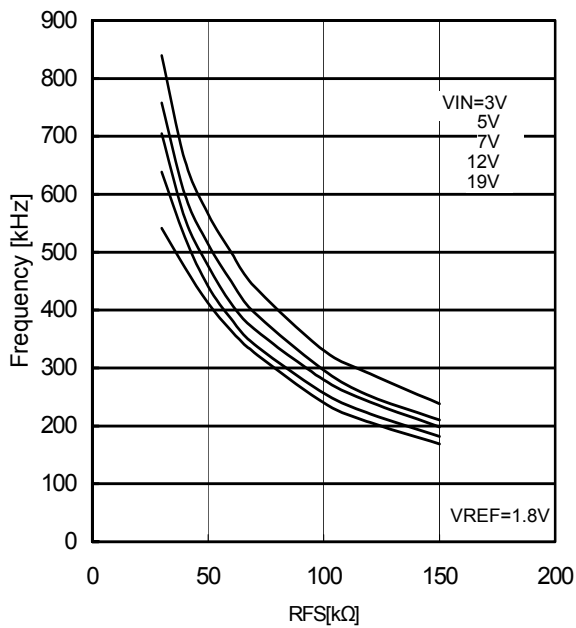
Consequently, total frequency becomes lower than the formula above.

TON is also influenced by Dead Time around the output current 0A area in continuous mode.

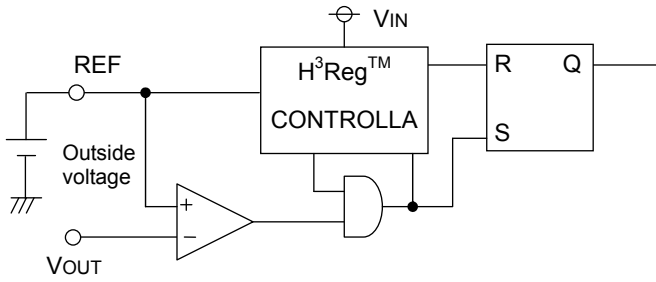
This frequency becomes lower than setting frequency.

It is recommended to check the steady frequency in large current area (at the point where the coil current doesn't back up).

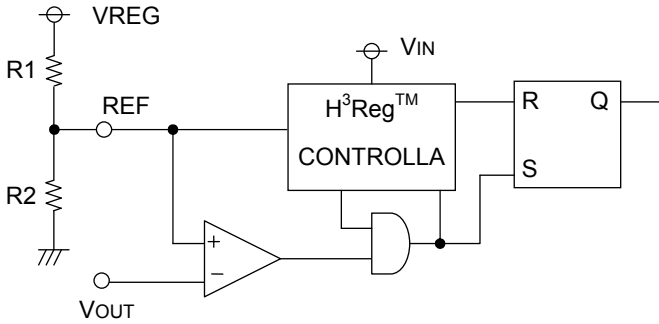
【2ch】



7. Setting standard voltage (REF)



It is available to synchronize setting the reference voltage (REF) with outside supply voltage [V] by using outside power supply voltage.



It is available to set the reference voltage (REF) by the resistance division value from VREG in case it is not set REF from an external power supply.

$$REF = \frac{R2}{R1+R2} \times VREG [V] \dots (17)$$

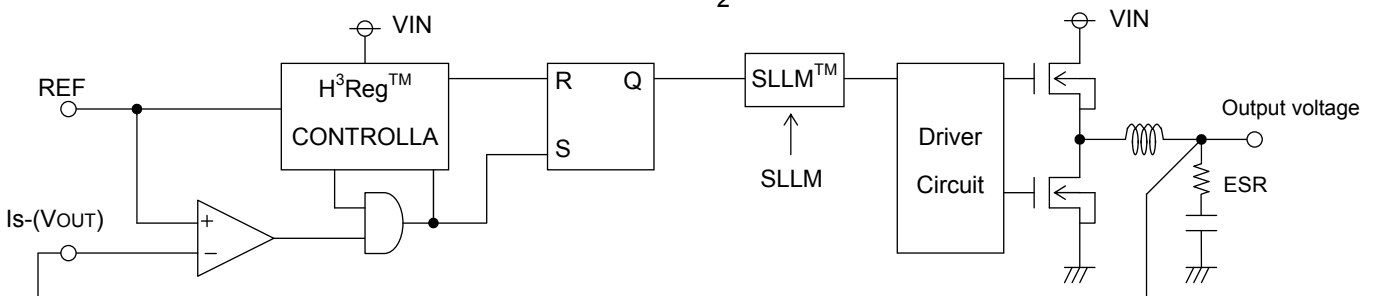
8. Setting output voltage

This IC is operated that output voltage is $REF \cong Is - (VOUT)$.

And it is operated that output voltage is feed back to FB pin in case the output voltage is 0.7V to 2.0V.

Actually, the average value of ripple voltage is added to output voltage.

$$\text{Output voltage} = REF + \frac{1}{2} \times \Delta IL \times ESR \dots (18)$$



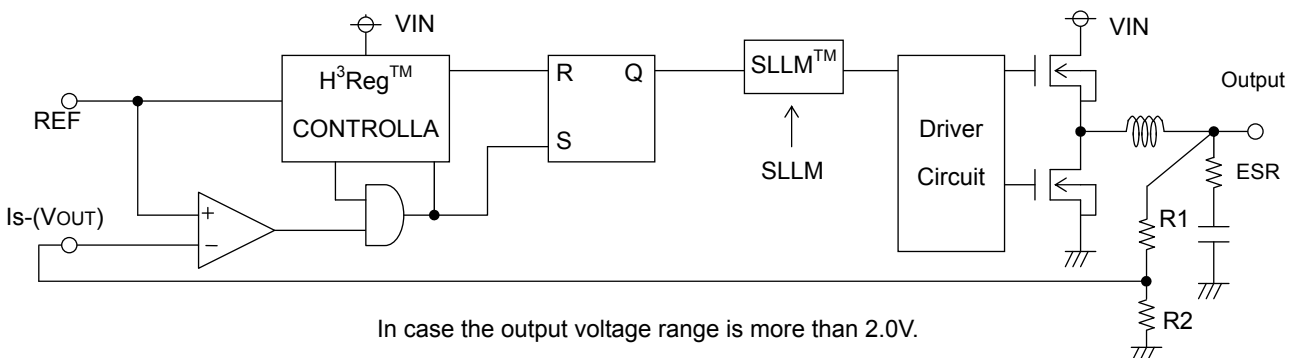
In case the output voltage range is 0.7V to 2.0V.

It is operated that the resistance division value of the output voltage is feed back to Is-pin in case the output voltage is more than 2.0V.

$$\text{output voltage} = \frac{R1+R2}{R2} \times REF + \frac{1}{2} \times \Delta IL \times ESR \dots (19)$$

In this time, the frequency is also amplified by power of the resistance division. It is determined as in formula (20) below.

$$\text{Frequency} = \frac{R1+R2}{R2} \times (\text{frequency determined by REF}) [Hz] \dots (20)$$



In case the output voltage range is more than 2.0V.

● I/O Equivalent Circuit

| | | |
|------------------------------|------------------------------|-------------------------------|
| <p>1pin, 23pin (BOOT1/2)</p> | <p>2pin, 22pin (CE1/2)</p> | <p>3pin, 21pin (PGOOD1/2)</p> |
| <p>4pin, 20pin (EN1/2)</p> | <p>5pin, 19pin (SS1/2)</p> | <p>6pin, 18pin (ILIM1/2)</p> |
| <p>7pin, 17pin (REF1/2)</p> | <p>8pin (VREG)</p> | <p>9pin (FS)</p> |
| <p>10pin, 15pin (Is-1/2)</p> | <p>11pin, 14pin (Is+1/2)</p> | <p>16pin (VIN)</p> |
| <p>24pin, 32pin (HG1/2)</p> | <p>25pin, 31pin (SW1/2)</p> | <p>27pin, 29pin (LG1/2)</p> |

● Operation Notes

1. Absolute maximum ratings

An excess in the absolute maximum ratings, such as supply voltage, temperature range of operating conditions, etc., can break down the devices, thus making impossible to identify breaking mode, such as a short circuit or an open circuit. If any over rated values will expect to exceed the absolute maximum ratings, consider adding circuit protection devices, such as fuses.

2. Connecting the power supply connector backward

Connecting of the power supply in reverse polarity can damage IC. Take precautions when connecting the power supply lines. An external direction diode can be added.

3. Power supply lines

Design PCB layout pattern to provide low impedance GND and supply lines. To obtain a low noise ground and supply line, separate the ground section and supply lines of the digital and analog blocks. Furthermore, for all power supply terminals to ICs, connect a capacitor between the power supply and the GND terminal. When applying electrolytic capacitors in the circuit, not that capacitance characteristic values are reduced at low temperatures.

4. GND voltage

The potential of GND pin must be minimum potential in all operating conditions.

5. Thermal design

Use a thermal design that allows for a sufficient margin in light of the power dissipation (Pd) in actual operating conditions.

6. Inter-pin shorts and mounting errors

Use caution when positioning the IC for mounting on printed circuit boards. The IC may be damaged if there is any connection error or if pins are shorted together.

7. Actions in strong electromagnetic field

Use caution when using the IC in the presence of a strong electromagnetic field as doing so may cause the IC to malfunction.

8. ASO

When using the IC, set the output transistor so that it does not exceed absolute maximum ratings or ASO.

9. Thermal shutdown circuit

The IC incorporates a built-in thermal shutdown circuit (TSD circuit). The thermal shutdown circuit (TSD circuit) is designed only to shut the IC off to prevent thermal runaway. It is not designed to protect the IC or guarantee its operation. Do not continue to use the IC after operating this circuit or use the IC in an environment where the operation of this circuit is assumed.

| | TSD on temperature [°C] (typ.) | Hysteresis temperature [°C] (typ.) |
|-----------|--------------------------------|------------------------------------|
| BD9535MUV | 175 | 15 |

10. Testing on application boards

When testing the IC on an application board, connecting a capacitor to a pin with low impedance subjects the IC to stress. Always discharge capacitors after each process or step. Always turn the IC's power supply off before connecting it to or removing it from a jig or fixture during the inspection process. Ground the IC during assembly steps as an antistatic measure. Use similar precaution when transporting or storing the IC.

11. Regarding input pin of the IC

This monolithic IC contains P+ isolation and P substrate layers between adjacent elements in order to keep them isolated. P-N junctions are formed at the intersection of these P layers with the N layers of other elements, creating a parasitic diode or transistor. For example, the relation between each potential is as follows:

When $GND > Pin\ A$ and $GND > Pin\ B$, the P-N junction operates as a parasitic diode.

When $GND > Pin\ B$, the P-N junction operates as a parasitic transistor.

Parasitic diodes can occur inevitable in the structure of the IC. The operation of parasitic diodes can result in mutual interference among circuits, operational faults, or physical damage. Accordingly, methods by which parasitic diodes operate, such as applying a voltage that is lower than the GND (P substrate) voltage to an input pin, should not be used.

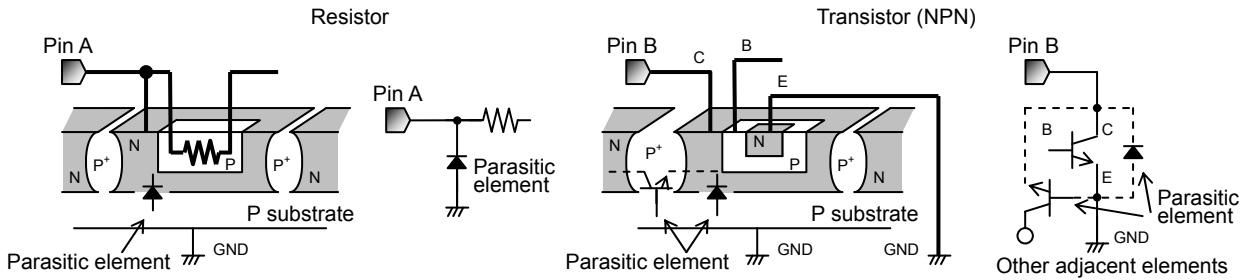
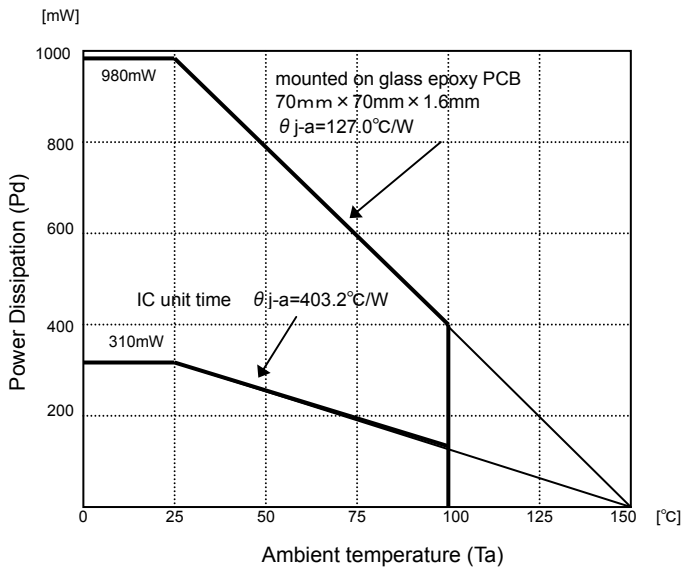


Fig. 13 Example of IC structure

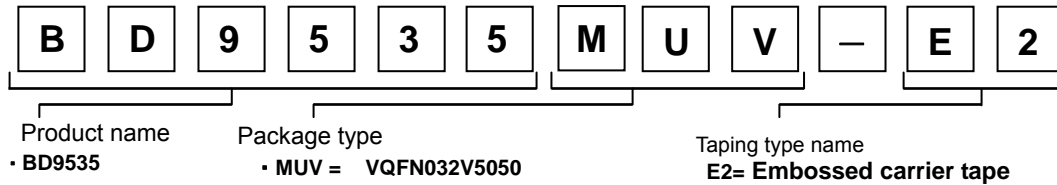
12. Ground Wiring Pattern

When using both small signal and large current GND patterns, it is recommended to isolate the two ground patterns, placing a single ground point at the ground potential of application so that the pattern wiring resistance and voltage variations caused by large currents do not cause variations in the small signal ground voltage. Be careful not to change the GND wiring pattern of any external components, either.

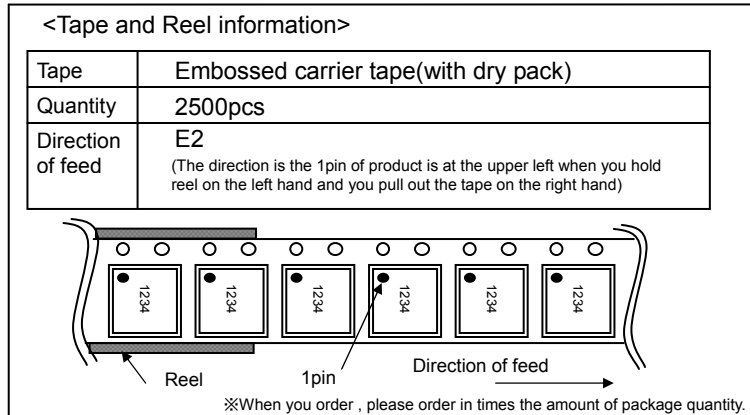
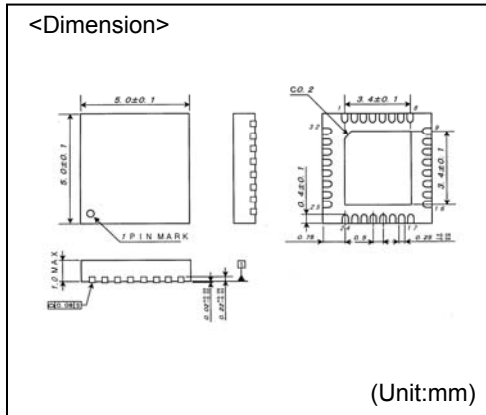
● Power Dissipation



● Type Designations (Selections) for Ordering



VQFN032V5050



- The contents described herein are correct as of September, 2008
- The contents described herein are subject to change without notice. For updates of the latest information, please contact and confirm with ROHM CO.,LTD.
- Any part of this application note must not be duplicated or copied without our permission.
- Application circuit diagrams and circuit constants contained herein are shown as examples of standard use and operation. Please pay careful attention to the peripheral conditions when designing circuits and deciding upon circuit constants in the set.
- Any data, including, but not limited to application circuit diagrams and information, described herein are intended only as illustrations of such devices and not as the specifications for such devices. ROHM CO.,LTD. disclaims any warranty that any use of such devices shall be free from infringement of any third party's intellectual property rights or other proprietary rights, and further, assumes no liability of whatsoever nature in the event of any such infringement, or arising from or connected with or related to the use of such devices.
- Upon the sale of any such devices, other than for buyer's right to use such devices itself, resell or otherwise dispose of the same, implied right or license to practice or commercially exploit any intellectual property rights or other proprietary rights owned or controlled by ROHM CO., LTD. is granted to any such buyer.
- The products described herein utilize silicon as the main material.
- The products described herein are not designed to be X ray proof.

The products listed in this catalog are designed to be used with ordinary electronic equipment or devices (such as audio visual equipment, office-automation equipment, communications devices, electrical appliances and electronic toys). Should you intend to use these products with equipment or devices which require an extremely high level of reliability and the malfunction of which would directly endanger human life (such as medical instruments, transportation equipment, aerospace machinery, nuclear-reactor controllers, fuel controllers and other safety devices), please be sure to consult with our sales representative in advance.

Contact us for further information about the products.

- | | |
|--|--|
| <p>San Diego TEL: +1-858-625-3630 FAX: +1-858-625-3670</p> <p>Atlanta TEL: +1-770-754-5972 FAX: +1-770-754-0691</p> <p>Boston TEL: +1-978-371-0382 FAX: +1-928-438-7164</p> <p>Chicago TEL: +1-847-368-1006 FAX: +1-847-368-1008</p> <p>Dallas TEL: +1-469-287-5366 FAX: +1-469-362-7973</p> <p>Denver TEL: +1-303-708-0908 FAX: +1-303-708-0858</p> <p>Detroit TEL: +1-248-348-9920 FAX: +1-248-348-9942</p> <p>Nashville TEL: +1-615-620-6700 FAX: +1-615-620-6702</p> <p>Mexico TEL: +52-33-3123-2001 FAX: +52-33-3123-2002</p> <p>Düsseldorf TEL: +49-2154-9210 FAX: +49-2154-921400</p> <p>Munich TEL: +49-8999-216168 FAX: +49-8999-216176</p> <p>Stuttgart TEL: +49-711-7272-370 FAX: +49-711-7272-3720</p> <p>France TEL: +33-1-5697-3060 FAX: +33-1-5697-3080</p> <p>United Kingdom TEL: +44-1-908-306700 FAX: +44-1-908-235788</p> <p>Denmark TEL: +45-3694-4739 FAX: +45-3694-4789</p> <p>Espoo TEL: +358-9725-54491 FAX: +358-9-7255-4499</p> <p>Salo TEL: +358-2-7332234 FAX: +358-2-7332237</p> <p>Oulu TEL: +358-9-5372930 FAX: +358-8-5372931</p> <p>Barcelona TEL: +34-9375-24320 FAX: +34-9375-24410</p> <p>Hungary TEL: +36-1-4719338 FAX: +36-1-4719339</p> <p>Poland TEL: +48-22-5757213 FAX: +48-22-5757001</p> <p>Russia TEL: +7-495-739-41-74 FAX: +7-495-739-41-74</p> <p>Seoul TEL: +82-2-8182-700 FAX: +82-2-8182-715</p> <p>Masan TEL: +82-55-240-6234 FAX: +82-55-240-6236</p> <p>Dalian TEL: +86-411-8230-8549 FAX: +86-411-8230-8537</p> <p>Beijing TEL: +86-10-8525-2483 FAX: +86-10-8525-2489</p> | <p>Tianjin TEL: +86-22-23029181 FAX: +86-22-23029183</p> <p>Shanghai TEL: +86-21-6279-2727 FAX: +86-21-6247-2066</p> <p>Hangzhou TEL: +86-571-87658072 FAX: +86-571-87658071</p> <p>Nanjing TEL: +86-25-8689-0015 FAX: +86-25-8689-0393</p> <p>Ningbo TEL: +86-574-87654201 FAX: +86-574-87654208</p> <p>Qingdao TEL: +86-532-5779-312 FAX: +86-532-5779-653</p> <p>Suzhou TEL: +86-512-6807-1300 FAX: +86-512-6807-2300</p> <p>Wuxi TEL: +86-510-82702693 FAX: +86-510-82702992</p> <p>Shenzhen TEL: +86-755-8307-3008 FAX: +86-755-8307-3003</p> <p>Dongguan TEL: +86-769-8393-3320 FAX: +86-769-8398-4140</p> <p>Fuzhou TEL: +86-591-8801-8698 FAX: +86-591-8801-8690</p> <p>Guangzhou TEL: +86-20-3878-8100 FAX: +86-20-3825-5965</p> <p>Huizhou TEL: +86-752-205-1054 FAX: +86-752-205-1059</p> <p>Xiamen TEL: +86-592-238-5705 FAX: +86-592-239-8380</p> <p>Zhuhai TEL: +86-756-3232-480 FAX: +86-756-3232-460</p> <p>Hong Kong TEL: +852-2-740-6262 FAX: +852-2-375-8971</p> <p>Taipei TEL: +886-2-2500-6956 FAX: +886-2-2503-2869</p> <p>Kaohsiung TEL: +886-7-237-0881 FAX: +886-7-238-7332</p> <p>Singapore TEL: +65-6332-2322 FAX: +65-6332-5662</p> <p>Philippines TEL: +63-2-807-6872 FAX: +63-2-809-1422</p> <p>Thailand TEL: +66-2-254-4890 FAX: +66-2-256-6334</p> <p>Kuala Lumpur TEL: +60-3-7958-8355 FAX: +60-3-7958-8377</p> <p>Penang TEL: +60-4-2286453 FAX: +60-4-2286452</p> <p>Kyoto TEL: +81-75-365-1218 FAX: +81-75-365-1228</p> <p>Yokohama TEL: +81-45-476-2290 FAX: +81-45-476-2295</p> |
|--|--|

Excellence in Electronics



ROHM CO., LTD.

21 Saiin Mizosaki-cho, Ukyo-ku, Kyoto
615-8585, Japan
TEL: +81-75-311-2121 FAX: +81-75-315-0172
URL: <http://www.rohm.com>

Published by
KTC LSI Development Headquarters
LSI Business Promotion Group

Notes

No copying or reproduction of this document, in part or in whole, is permitted without the consent of ROHM CO.,LTD.

The content specified herein is subject to change for improvement without notice.

The content specified herein is for the purpose of introducing ROHM's products (hereinafter "Products"). If you wish to use any such Product, please be sure to refer to the specifications, which can be obtained from ROHM upon request.

Examples of application circuits, circuit constants and any other information contained herein illustrate the standard usage and operations of the Products. The peripheral conditions must be taken into account when designing circuits for mass production.

Great care was taken in ensuring the accuracy of the information specified in this document. However, should you incur any damage arising from any inaccuracy or misprint of such information, ROHM shall bear no responsibility for such damage.

The technical information specified herein is intended only to show the typical functions of and examples of application circuits for the Products. ROHM does not grant you, explicitly or implicitly, any license to use or exercise intellectual property or other rights held by ROHM and other parties. ROHM shall bear no responsibility whatsoever for any dispute arising from the use of such technical information.

The Products specified in this document are intended to be used with general-use electronic equipment or devices (such as audio visual equipment, office-automation equipment, communication devices, electronic appliances and amusement devices).

The Products are not designed to be radiation tolerant.

While ROHM always makes efforts to enhance the quality and reliability of its Products, a Product may fail or malfunction for a variety of reasons.

Please be sure to implement in your equipment using the Products safety measures to guard against the possibility of physical injury, fire or any other damage caused in the event of the failure of any Product, such as derating, redundancy, fire control and fail-safe designs. ROHM shall bear no responsibility whatsoever for your use of any Product outside of the prescribed scope or not in accordance with the instruction manual.

The Products are not designed or manufactured to be used with any equipment, device or system which requires an extremely high level of reliability the failure or malfunction of which may result in a direct threat to human life or create a risk of human injury (such as a medical instrument, transportation equipment, aerospace machinery, nuclear-reactor controller, fuel-controller or other safety device). ROHM shall bear no responsibility in any way for use of any of the Products for the above special purposes. If a Product is intended to be used for any such special purpose, please contact a ROHM sales representative before purchasing.

If you intend to export or ship overseas any Product or technology specified herein that may be controlled under the Foreign Exchange and the Foreign Trade Law, you will be required to obtain a license or permit under the Law.

Thank you for your accessing to ROHM product informations.

More detail product informations and catalogs are available, please contact your nearest sales office.

ROHM Customer Support System

THE AMERICAS / EUROPE / ASIA / JAPAN

www.rohm.com

Contact us : webmaster@rohm.co.jp