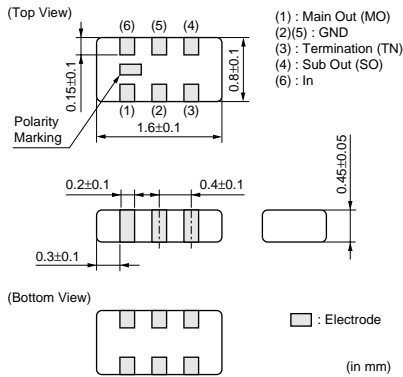


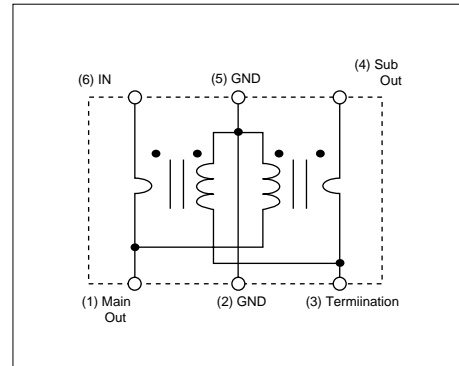
Microchip Transformer (Coupler)

Film Type

● DXP18C Series



Equivalent Circuit



Part Number	Frequency Range	Port Impedance	Insertion Loss at Freq. Range (max.) (dB)	Coupling Loss at Freq. Range (Typ.) (dB)	Isolation at Freq. Range (Min.) (dB)	Rated Power (dBm)
DXP18CN7510T	50 to 870MHz	75 ohm ALL	2.3	10	18	20
DXP18CN7515T	50 to 870MHz	75 ohm ALL	1.5	15	20	20

Operating Temperature Range: -40°C to +85°C

Only for reflow soldering.