

M57917L

HYBRID IC FOR DRIVING TRANSISTOR MODULES

DESCRIPTION

M57917L is a Hybrid Integrated Circuit designed for driving Transistor Modules QM10XX, QM20XX, etc., in an Inverter application. This device operates as an isolation amplifier for Transistor Modules due to the electrical isolation between the input and output circuits with a opto-coupler, as well as its driving capability which only requires single power supply.

FEATURES

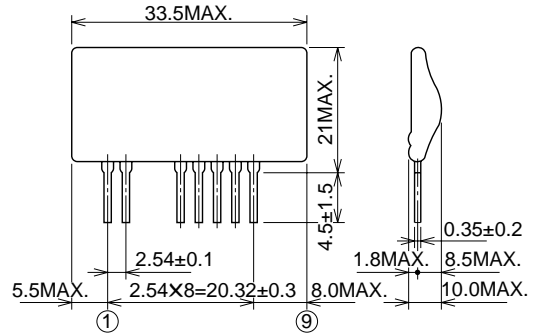
- Electrical isolation between input and output with integrated opto-coupler. $V_{iso}=2500V_{rms}$
- Applicable with single power supply (7 ~ 9V)
- Applicable with TTL input

APPLICATION

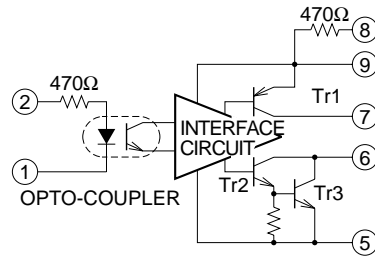
To drive Transistor Modules for Inverter applications

OUTLINE DRAWING

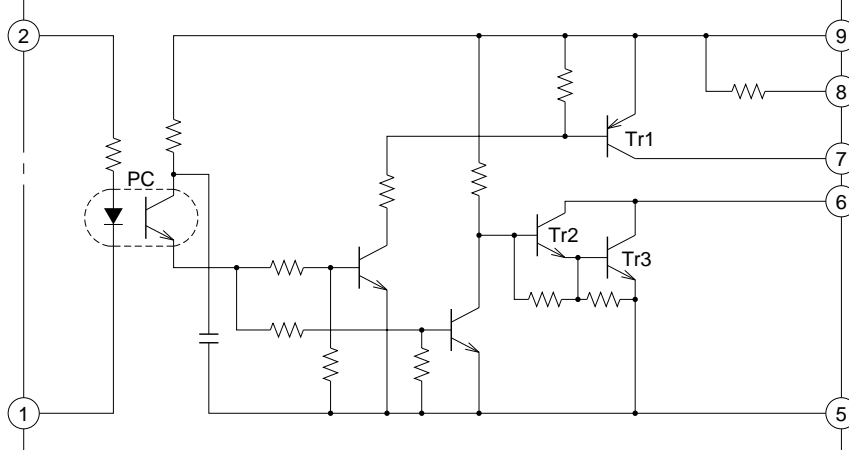
Dimensions in mm



BLOCK DIAGRAM



CIRCUIT DIAGRAM



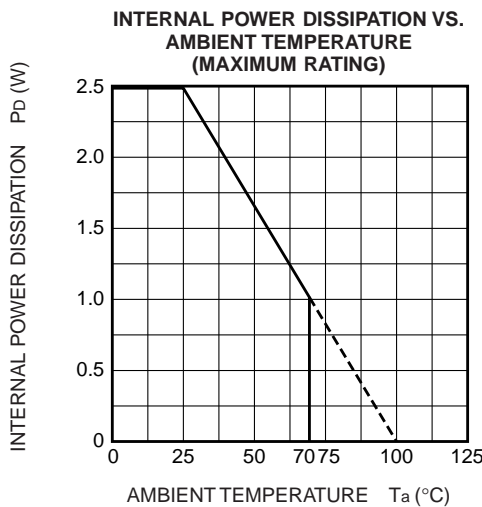
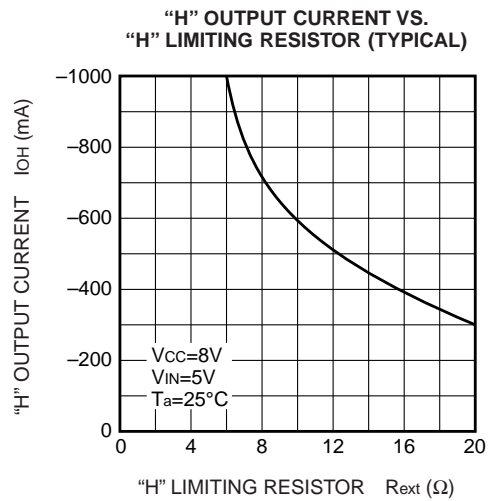
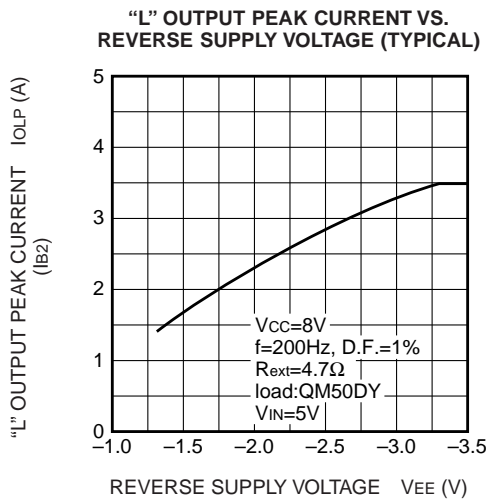
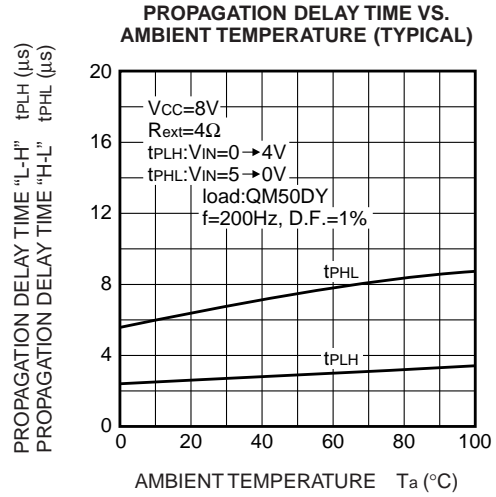
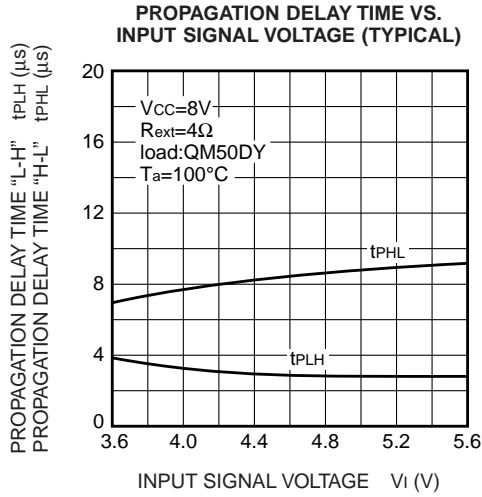
ABSOLUTE MAXIMUM RATINGS ($T_a = -20 \sim +70^\circ\text{C}$, unless otherwise noted)

Symbol	Parameter	Conditions	Ratings	Unit
VCC	Supply voltage	DC	14	V
V _I	Input voltage	Between terminals ① and ②	-1 ~ 7	V
I _{OH}	Output current		-1	A
I _{OLP}		Pulse width 10μs, Freq. 2kHz, peak value	3	A
V _{iso}	Isolation voltage	Sinewave voltage 60Hz/min. T _a =25°C	2500	V _{rms}
T _j	Junction temperature		100	°C
T _{opg}	Operating temperature		-20 ~ +70	°C
T _{stg}	Storage temperature		-25 ~ +100	°C

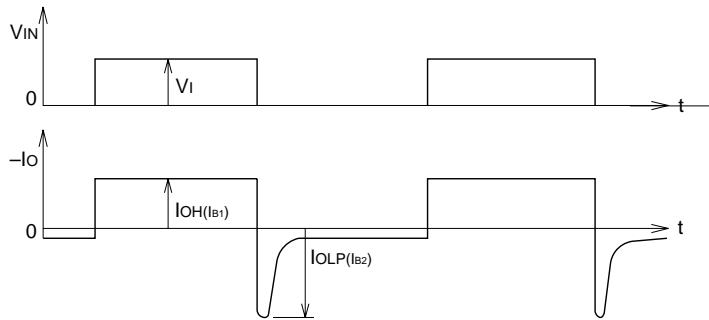
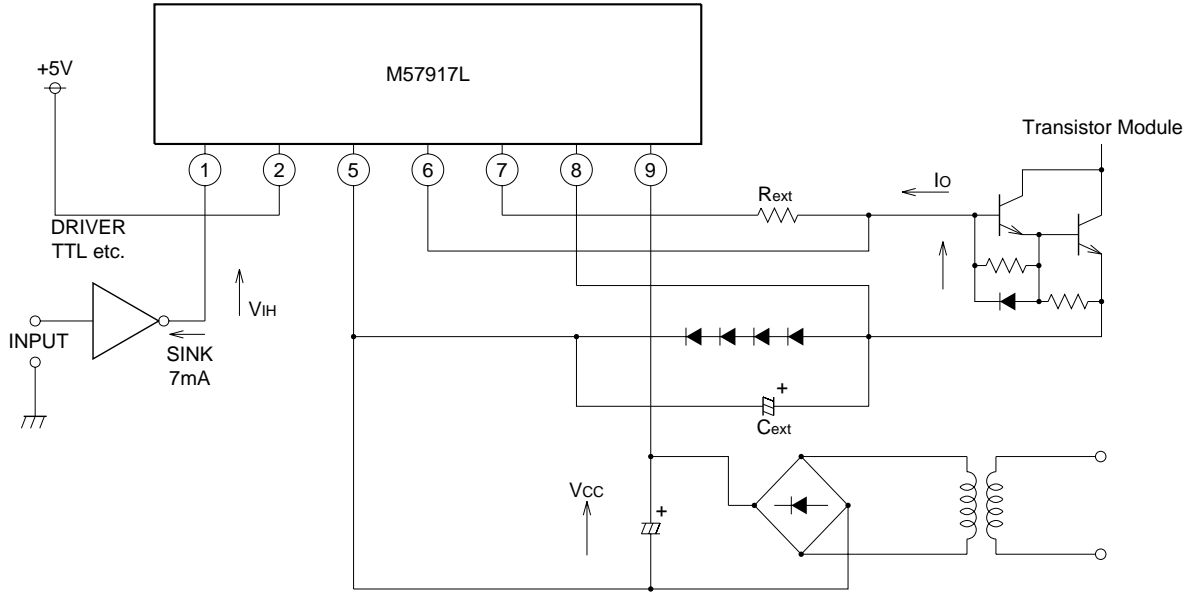
ELECTRICAL CHARACTERISTICS ($T_a = 25^\circ\text{C}$, VCC=8V, unless otherwise noted)

Symbol	Parameter	Test conditions	Limits			Unit
			Min.	Typ.	Max.	
I _{IH}	"H" input current	V _I =5V	-	8	-	mA
I _{OH}	"H" output current	R _{ext} =4Ω	-	-0.9	-	A
I _{OLP}	"L" output peak current	C _{ext} =47μF	-	2	-	A
P _D	Internal power dissipation	I _{OH} =-0.5A, I _{OLP} =1A, f=2kHz, D.F.=50%	-	1.3	-	W
t _{PLH}	"L-H" propagation delay time	V _I =0→4V, T _j =100°C	-	5	10	μs
t _{PHL}	"H-L" propagation delay time	V _I =5→0V, T _j =100°C	-	8	15	μs

PERFORMANCE CURVES



TEST CIRCUIT AND APPLICATION CIRCUIT EXAMPLE



Note: IOH and IOLP correspond to base forward current IB1 and base reverse current IB2 of the transistor module to be driven respectively.