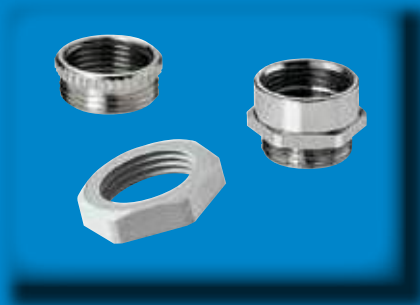


Cable glands and cable entries



For demanding environments

Contents

Plastic cable glands and accessories	1
Plastic cable glands	2 – 6
Hexagonal locknut, plastic	7 – 8
Screw plug, plastic	9 – 10
Adapter, plastic	11
Blanking plug, plastic	12
Metal cable glands and accessories	13
Metal cable glands	14 – 16
Hexagonal locknut, metal	17
Screw plug, metal	18
Adapter, metal	19
EMC cable glands and accessories	20
EMC cable glands	21 – 24
Hexagonal locknut, EMC	25 – 26
EX cable glands and accessories	27
Ex cable gland, plastic	28
Ex screw plug, plastic	29
Ex blanking plug, plastic	30
Ex cable gland, metal	31
Ex screw plug, metal	32
Ex EMC cable gland	33
Venting element	34 - 36
Cable gland accessories	
O-ring	37
Dust cap	38
Cable entry systems	40
Membrane cable glands	40 – 43
Cable entry plates and entry sets	44

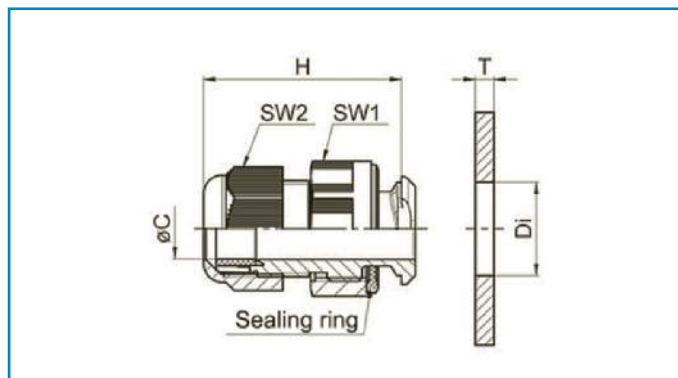
PLASTIC CABLE GLANDS AND ACCESSORIES



Plastic cable gland

GPAQF M

Metric thread



Technical details

Dome nut	Polyamide PA6 V-2
Sealing ring	Polychloroprene-Nitrile rubber CR/NBR
Gland body	Polyamide PA6 V-2
Mounting nut	Polyamide PA6 GF30
Moulded sealing ring	Nitrile-Polytetrafluorethylene rubber NBR/PTFE

Properties

- Quick and easy installation without special tools
- Trouble-free mounting and dismounting from one side
- Locknut on the inner side dispensable
- Advantageous for installation in areas with limited space
- Installation in clearance holes with dimensions according to EN 50262
- No inner thread required
- Continuously adjustable in wall thickness from 1 - 4 mm
- Integrated anchorage
- Wide sealing and clamping range

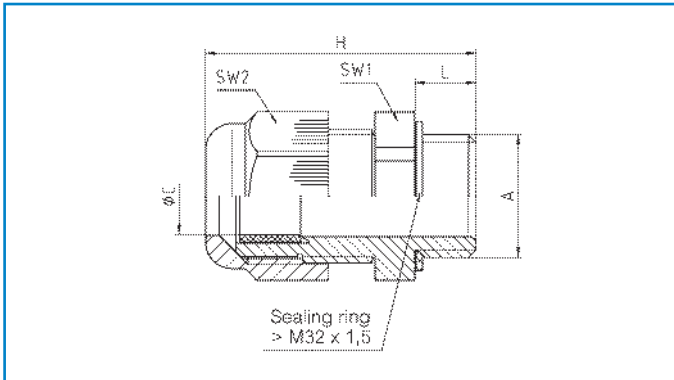
Temperature range	-20...+100 °C
Protection grade	IP68

Order symbol	Code	EAN	A	Di mm	T mm	øC mm	SW1 mm	SW2 mm	H mm	Pack
RAL 7035										
GPAQF M16	7016860	6418074090577	M16	16,1 – 16,3	1 – 4	5 – 10	24	20	38,5	100
GPAQF M20	7016861	6418074090584	M20	20,1 – 20,4	1 – 4	8 – 13	26	24	42,5	100
GPAQF M25	7016862	6418074090591	M25	25,1 – 25,4	1 – 4	11 – 17	32	29	48	50
GPAQF M32	7016863	6418074090607	M32	32,1 – 32,4	1 – 4	15 – 21	42	36	58,5	25

Plastic cable gland

GPA M/ML

Metric thread



Technical details

Dome nut	Polyamide PA6 V-2
Sealing ring	Polychloroprene-Nitrile rubber CR/NBR
Gland body	Polyamide PA6 V-2
Connecting thread	metric as per EN 60423

Properties

- Integrated anchorage
- Wide sealing and clamping range
- Easy-to-install

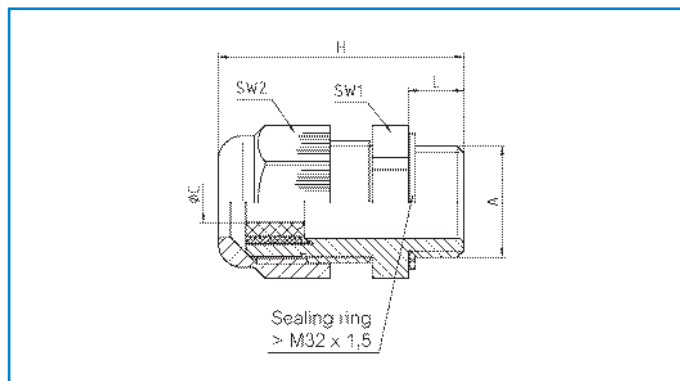
Temperature range	-20...+100 °C
Protection grade	IP68 – 5 bar
Test standard	EN 50262 / UL 514B

Order symbol	Code	EAN	A	ØC mm	L mm	SW1 mm	SW2 mm	H mm	Pack
RAL 7035: Connecting thread: standard length									
GPA M12	7016400	6418074054845	M12 x 1,5	3 – 6	8	15	15	31	100
GPA M16	7016401	6418074054852	M16 x 1,5	5 – 10	8	20	20	35,5	100
GPA M20	7016402	6418074054869	M20 x 1,5	8 – 13	8	24	24	36	100
GPA M25	7016403	6418074054876	M25 x 1,5	11 – 17	8	29	29	43	50
GPA M32	7016404	6418074054883	M32 x 1,5	15 – 21	10	36	36	50	25
GPA M40	7016405	6418074054890	M40 x 1,5	19 – 28	10	46	46	51	10
GPA M50	7016406	6418074054906	M50 x 1,5	27 – 35	12	55	55	61,5	5
GPA M63	7016407	6418074054913	M63 x 1,5	32 – 42	12	68	68	65,5	5
RAL 7035: Connecting thread: long									
GPA M12L	7016533	6418074056337	M12 x 1,5	3 – 6	15	15	15	38	100
GPA M16L	7016534	6418074056344	M16 x 1,5	5 – 10	15	20	20	42,5	100
GPA M20L	7016535	6418074056351	M20 x 1,5	8 – 13	15	24	24	43	100
GPA M25L	7016536	6418074056368	M25 x 1,5	11 – 17	15	29	29	50	50
GPA M32L	7016537	6418074056375	M32 x 1,5	15 – 21	15	36	36	55	25
GPA M40L	7016538	6418074056382	M40 x 1,5	19 – 28	18	46	46	59	10
GPA M50L	7016539	6418074056399	M50 x 1,5	27 – 35	18	55	55	67,5	5
GPA M63L	7016540	6418074056405	M63 x 1,5	32 – 42	18	68	68	71,5	5
RAL 9005: Connecting thread: standard length									
GPA M12 9005	7016950	6418074093295	M12 x 1,5	3 – 6	8	15	15	31	100
GPA M16 9005	7016951	6418074093301	M16 x 1,5	5 – 10	8	20	20	35,5	100
GPA M20 9005	7016952	6418074093318	M20 x 1,5	8 – 13	8	24	24	36	100
GPA M25 9005	7016953	6418074093325	M25 x 1,5	11 – 17	8	29	29	43	50
GPA M32 9005	7016954	6418074093332	M32 x 1,5	15 – 21	10	36	36	50	25
GPA M40 9005	7016955	6418074093349	M40 x 1,5	19 – 28	10	46	46	51	10
GPA M50 9005	7016956	6418074093356	M50 x 1,5	27 – 35	12	55	55	61,5	5
GPA M63 9005	7016957	6418074093363	M63 x 1,5	32 – 42	12	68	68	65,5	5

Plastic cable gland

GPA MR

Metric thread



Technical details

Dome nut	Polyamide PA6 V-2
Sealing ring / outer part	Polychloroprene-Nitrile rubber CR/NBR
Sealing ring / inner part	Evoprene TPE
Gland body	Polyamide PA6 V-2
Connecting thread	metric as per EN 60423

Properties

- Reducing sealing ring for small cable diameter
- Integrated anchorage
- Wide sealing and clamping range
- Easy-to-install

Temperature range	-20...+100 °C
Protection grade	IP68 – 5 bar
Test standard	EN 50262 / UL 514B

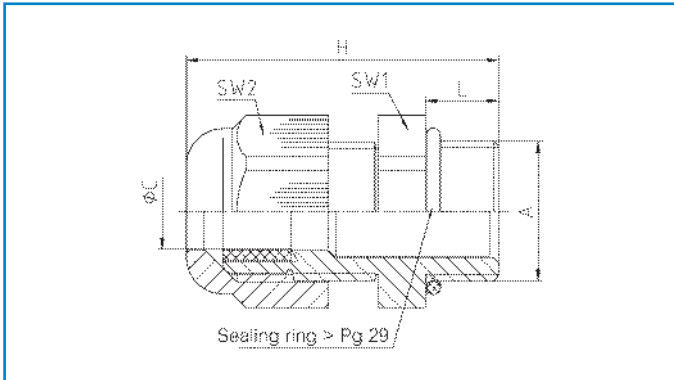
Order symbol	Code	EAN	A	ØC mm	L mm	SW1 mm	SW2 mm	H mm	Pack
RAL 7035: Connecting thread: standard length									
GPA M12R	7016750	6418074029768	M12 x 1,5	2 – 5*	8	15	15	31	100
GPA M16R	7016780	6418074091222	M16 x 1,5	3 – 10	8	20	20	35,5	100
GPA M20R	7016781	6418074091239	M20 x 1,5	5 – 13	8	24	24	36	100
GPA M25R	7016782	6418074091246	M25 x 1,5	8 – 17	8	29	29	43	50
GPA M32R	7016783	6418074091253	M32 x 1,5	12 – 21	10	36	36	50	25
GPA M40R	7016784	6418074091260	M40 x 1,5	16 – 28	10	46	46	51	10
GPA M50R	7016785	6418074091277	M50 x 1,5	21 – 35	12	55	55	61,5	5
GPA M63R	7016786	6418074091284	M63 x 1,5	27 – 48	12	68	68	65,5	5

* sealing ring one-piece

Plastic cable gland

GPA PG/PGL

PG thread



Technical details

Dome nut	Polyamide PA6 V-2
Sealing ring	Polychloroprene-Nitrile rubber CR/NBR
Gland body	Polyamide PA6 V-2
Connecting thread	Pg as per DIN 40430

Properties

- Integrated anchorage
- Wide sealing and clamping range
- Easy-to-install

Temperature range	-20...+100 °C
Protection grade	IP68 – 5 bar
Test standard	UL 514B

Order symbol	Code	EAN	A	ØC mm	L mm	SW1 mm	SW2 mm	H mm	Pack
RAL 7035: Connecting thread: standard length									
GPA PG7	7016416	6418074055002	Pg 7	3 – 6,5	8	15	15	30,5	100
GPA PG9	7016417	6418074055019	Pg 9	4 – 8	8	19	19	34	100
GPA PG11	7016418	6418074055026	Pg 11	5 – 10	8	22	22	37	100
GPA PG13.5	7016419	6418074055033	Pg 13,5	6 – 12	9	24	24	39	100
GPA PG16	7016420	6418074055040	Pg 16	10 – 14	10	27	27	42,5	50
GPA PG21	7016421	6418074055057	Pg 21	13 – 18	11	33	33	47,5	50
GPA PG29	7016422	6418074055064	Pg 29	18 – 25	11	42	42	53	25
GPA PG36	7016423	6418074055071	Pg 36	22 – 32	13	53	53	61	10
GPA PG42	7016424	6418074055088	Pg 42	30 – 38	13	60	60	65	5
GPA PG48	7016425	6418074055095	Pg 48	34 – 44	14	65	65	67	5

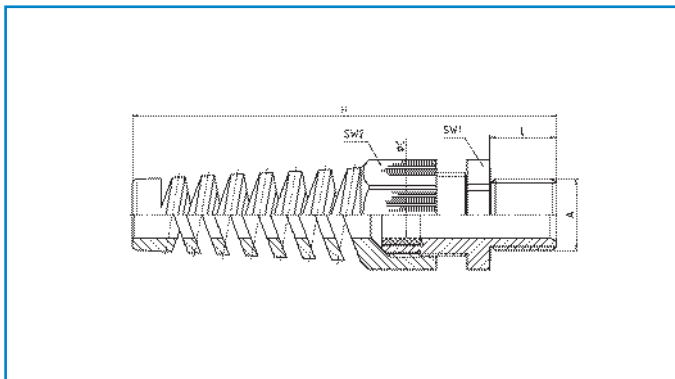
RAL 9005: Connecting thread: standard length									
GPA PG7 9005	7016577	6418074062284	Pg 7	3 – 6,5	8	15	15	30,5	100
GPA PG9 9005	7016578	6418074062291	Pg 9	4 – 8	8	19	19	34	100
GPA PG11 9005	7016579	6418074062307	Pg 11	5 – 10	8	22	22	37	100
GPA PG13.5 9005	7016890	6418074093455	Pg 13,5	6 – 12	9	24	24	39	100
GPA PG16 9005	7016891	6418074093462	Pg 16	10 – 14	10	27	27	42,5	50
GPA PG21 9005	7016892	6418074093479	Pg 21	13 – 18	11	33	33	47,5	50
GPA PG29 9005	7016893	6418074093486	Pg 29	18 – 25	11	42	42	53	25
GPA PG36 9005	7016894	6418074093493	Pg 36	24 – 32	13	53	53	61	10
GPA PG42 9005	7016895	6418074093509	Pg 42	30 – 38	13	60	60	65	5
GPA PG48 9005	7016896	6418074093516	Pg 48	34 – 44	14	65	65	67	5

RAL 7035: Connecting thread: long									
GPA PG7L	7016541	6418074056412	Pg 7	3 – 6,5	15	15	15	37,5	100
GPA PG9L	7016542	6418074056429	Pg 9	4 – 8	15	19	19	41	100
GPA PG11L	7016543	6418074056436	Pg 11	5 – 10	15	22	22	44	100
GPA PG13.5L	7016544	6418074056443	Pg 13,5	6 – 12	15	24	24	45	100
GPA PG16L	7016545	6418074056450	Pg 16	10 – 14	15	27	27	47,5	50
GPA PG21L	7016546	6418074056467	Pg 21	13 – 18	15	33	33	51,5	50
GPA PG29L	7016547	6418074056474	Pg 29	18 – 25	15	42	42	57	25
GPA PG36L	7016548	6418074056481	Pg 36	22 – 32	18	53	53	66	10

Plastic cable gland

GBP M

Metric thread



Technical details

Dome nut	Polyamide PA6 V-2
Sealing ring	Polychloroprene-Nitrile rubber CR/NBR
Gland body	Polyamide PA6 V-2
Connecting thread	metric as per EN 60423

Properties

- With spiral top
- For movable flexible cables
- Integrated anchorage
- Wide sealing and clamping range,
- Easy-to-install

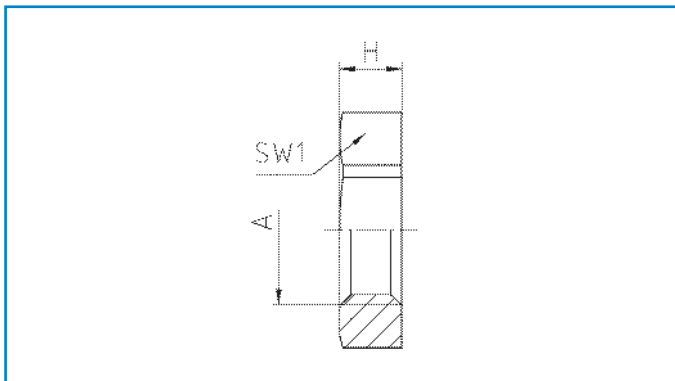
Temperature range	-20...+100 °C
Protection grade	IP68 – 5 bar
Test standard	EN 50262 / UL 514B

Order symbol	Code	EAN	A	øC mm	L mm	SW1 mm	SW2 mm	H mm	Pack
RAL 7035									
GBP M12	7016940	6418074090492	M12 x 1,5	3 – 6,5	8	15	15	63,5	100
GBP M16	7016941	6418074090560	M16 x 1,5	5 – 10	15	22	22	94,5	100
GBP M20	7016942	6418074092595	M20 x 1,5	6 – 12	11	24	24	101,5	50
GBP M25	7016943	6418074093707	M20 x 1,5	10 – 14	15	27	27	116	50
GBP M32	7016944	6418074093714	M25 x 1,5	13 – 18	15	33	33	132,5	50

Hexagonal locknut, plastic

GPA MB

Metric threads



Technical details

Hexagonal locknut
Connecting thread

Polyamide PA6 GF30
metric as per EN 60423

Properties

- For secure tightening of cable glands and accessories

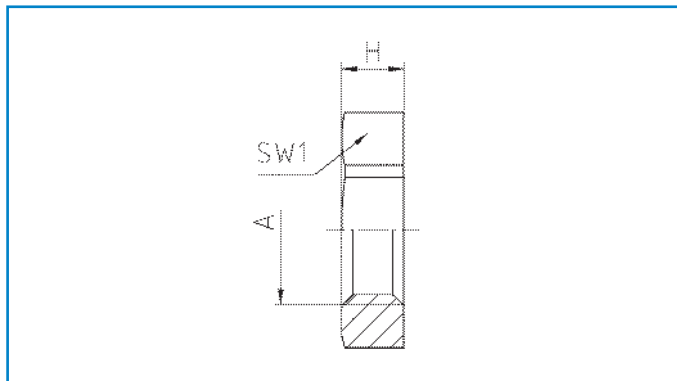
Temperature range -20...+100 °C

Order symbol	Code	EAN	A	SW1 mm	H mm	Pack
RAL 7035						
GPA M12B	7016408	6418074054920	M12 x 1,5	17	5	100
GPA M16B	7016409	6418074054937	M16 x 1,5	22	5	100
GPA M20B	7016410	6418074054944	M20 x 1,5	27	6	100
GPA M25B	7016411	6418074054951	M25 x 1,5	32	6	100
GPA M32B	7016412	6418074054968	M32 x 1,5	41	7	100
GPA M40B	7016413	6418074054975	M40 x 1,5	50	7	50
GPA M50B	7016414	6418074054982	M50 x 1,5	60	8	50
GPA M63B	7016415	6418074054999	M63 x 1,5	75	8	50
RAL 9005						
GPA M12B 9005	7016880	6418074093370	M12 x 1,5	17	5	100
GPA M16B 9005	7016881	6418074093387	M16 x 1,5	22	5	100
GPA M20B 9005	7016566	6418074093394	M20 x 1,5	27	6	100
GPA M25B 9005	7016882	6418074093400	M25 x 1,5	32	6	100
GPA M32B 9005	7016883	6418074093417	M32 x 1,5	41	7	100
GPA M40B 9005	7016884	6418074093424	M40 x 1,5	50	7	50
GPA M50B 9005	7016885	6418074093431	M50 x 1,5	60	8	50
GPA M63B 9005	7016886	6418074093448	M63 x 1,5	75	8	50

Hexagonal locknut, plastic

GPA PGB

PG thread



Technical details

Hexagonal locknut
Internal thread

Polyamide PA6 GF30
Pg as per DIN 40430

Properties

- For secure tightening of cable glands and accessories

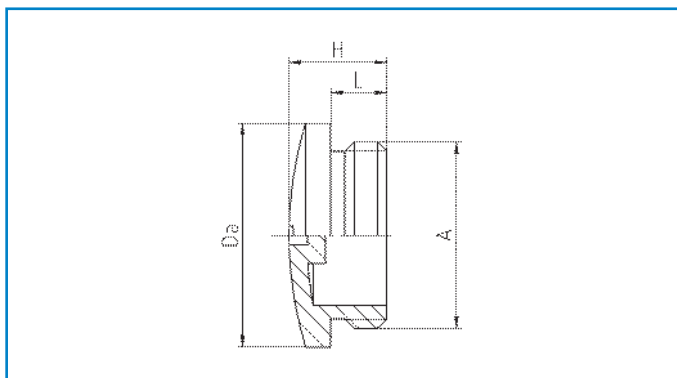
Temperature range -20...+100 °C

Order symbol	Code	EAN	A	SW1 mm	H mm	Pack
RAL 7035						
GPA PG7B	7016426	6418074055101	Pg 7	19	5	100
GPA PG9B	7016427	6418074055118	Pg 9	22	5	100
GPA PG11B	7016428	6418074055125	Pg 11	24	5	100
GPA PG13.5B	7016429	6418074055132	Pg 13,5	27	6	100
GPA PG16B	7016430	6418074055149	Pg 16	30	6	100
GPA PG21B	7016431	6418074055156	Pg 21	36	7	100
GPA PG29B	7016432	6418074055163	Pg 29	46	7	100
GPA PG36B	7016433	6418074055170	Pg 36	60	8	50
GPA PG42B	7016434	6418074055187	Pg 42	65	8	50
GPA PG48B	7016435	6418074055194	Pg 48	70	8	50
RAL 9005						
GPA PG7B 9005	7016580	6418074062314	Pg 7	19	5	100
GPA PG9B 9005	7016581	6418074062321	Pg 9	22	5	100
GPA PG11B 9005	7016582	6418074062338	Pg 11	24	5	100
GPA PG13.5B 9005	7016900	6418074093523	Pg 13,5	27	6	100
GPA PG16B 9005	7016901	6418074093530	Pg 16	30	6	100
GPA PG21B 9005	7016902	6418074093547	Pg 21	36	7	100
GPA PG29B 9005	7016903	6418074093554	Pg 29	46	7	100
GPA PG36B 9005	7016904	6418074093561	Pg 36	60	8	50
GPA PG42B 9005	7016905	6418074093578	Pg 42	65	8	50
GPA PG48B 9005	7016906	6418074093585	Pg 48	70	8	50

Screw plug, plastic

GSP M/MS

Metric thread



Technical details

Screw plug
Connecting thread

Polyamide PA6 GF30
metric as per EN 60423

Properties

- For secure sealing of unused threaded or clearance hole

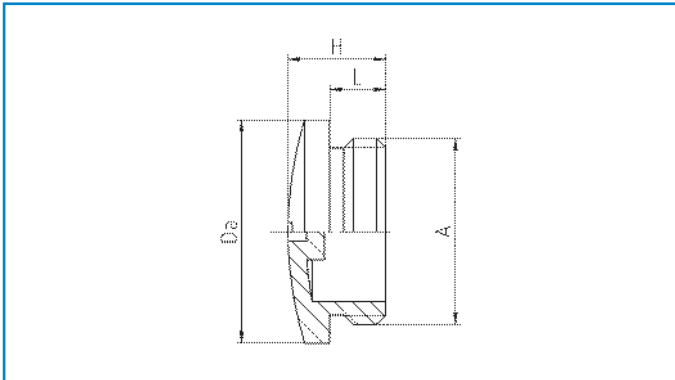
Temperature range -30...+100 °C
Protection grade IP54/IP65*
Higher protection grade IP65,
if assembled with sealing ring

Order symbol	Code	EAN	A	L mm	H mm	Da mm	Pack
RAL 7035: Screw plug, round							
GSP M12 slot	7016525	6418074056252	M12 x 1,5	6	10	15	100
GSP M16 slot	7016526	6418074056269	M16 x 1,5	6	10,5	20	100
GSP M20 slot	7016527	6418074056276	M20 x 1,5	6	10,5	24	100
GSP M25 slot	7016528	6418074056283	M25 x 1,5	8	13	30	100
GSP M32 slot	7016529	6418074056290	M32 x 1,5	8	13,5	37	100
GSP M40 slot	7016530	6418074056306	M40 x 1,5	8	14	46	50
GSP M50 slot	7016531	6418074056313	M50 x 1,5	10	16,5	56	50
GSP M63 slot	7016532	6418074056320	M63 x 1,5	12	17	70	50
RAL 7035: Screw plug, round, O-ring*							
GSP M12S slot	7016680	6418074091673	M12 x 1,5	6	10	15	100
GSP M16S slot	7016681	6418074091680	M16 x 1,5	6	10,5	20	100
GSP M20S slot	7016682	6418074091697	M20 x 1,5	6	10,5	24	100
GSP M25S slot	7016683	6418074091703	M25 x 1,5	8	13	30	100
GSP M32S slot	7016684	6418074091710	M32 x 1,5	8	13,5	37	100
GSP M40S slot	7016685	6418074091727	M40 x 1,5	8	14	46	50
GSP M50S slot	7016686	6418074091734	M50 x 1,5	10	16,5	56	50
GSP M63S slot	7016687	6418074091741	M63 x 1,5	12	17	70	50

Screw plug, plastic

GSP PG

PG thread



Technical details

Screw plug
Connecting thread

Polyamide PA6 GF30
Pg as per DIN 40430

Properties

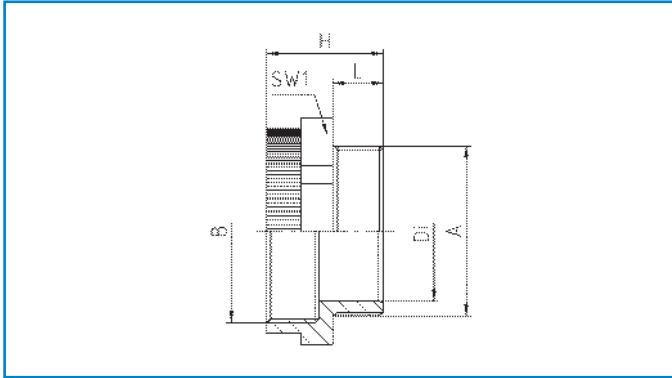
- For secure sealing of unused
- Threaded or clearance hole

Temperature range -30...+100 °C
Protection grade IP54
Higher protection grade possible if assembled with sealing ring

Order symbol	Code	EAN	A	L mm	H mm	Da mm	Pack
RAL 7035							
GSP PG7 slot	7016515	6418074056153	Pg 7	6	10	15	100
GSP PG9 slot	7016516	6418074056160	Pg 9	6	10	19	100
GSP PG11 slot	7016517	6418074056177	Pg 11	6	10	22	100
GSP PG13.5 slot	7016518	6418074056184	Pg 13,5	6	10	25	100
GSP PG16 slot	7016519	6418074056191	Pg 16	6	10	27	100
GSP PG21 slot	7016520	6418074056207	Pg 21	8	12,5	33	100
GSP PG29 slot	7016521	6418074056214	Pg 29	8	13	44,5	100
GSP PG36 slot	7016522	6418074056221	Pg 36	10	15	55,5	50
GSP PG42 slot	7016523	6418074056238	Pg 42	10	15,5	62,5	50
GSP PG48 slot	7016524	6418074056245	Pg 48	12	17	69,5	50

Adapter, plastic

GPAPM PG/M



Technical details

Adapter Polyamide PA6 GF30
 External thread Pg as per DIN 40430
 Internal thread metric as per EN 60423

Properties

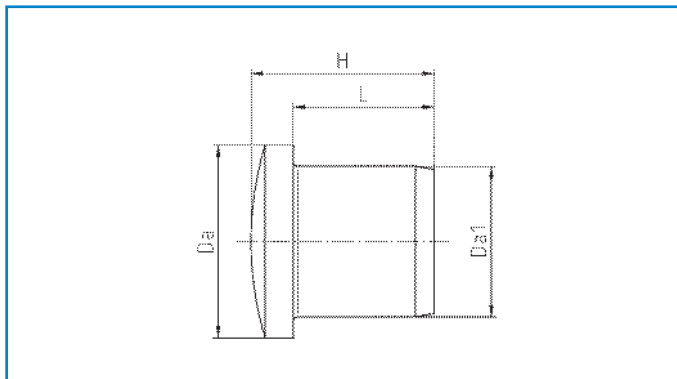
- Adapter from Pg to metric threaded holes
 Temperature range -30...+100 °C
 Protection grade dependent on the combination with other components

Order symbol	Code	EAN	A	B	L mm	SW1 mm	H mm	Di mm	Pack
RAL 7035									
GPAPM PG7/M12	7016720	6418074091758	Pg 7	M12 x 1,5	8	15	20	7,5	100
GPAPM PG7/M16	7016721	6418074091765	Pg 7	M16 x 1,5	8	20	20	7,5	100
GPAPM PG9/M12	7016722	6418074091772	Pg 9	M12 x 1,5	8	19	20	10,5	100
GPAPM PG9/M16	7016723	6418074091789	Pg 9	M16 x 1,5	8	20	20	10,5	100
GPAPM PG9/M20	7016724	6418074091796	Pg 9	M20 x 1,5	8	24	20	10,5	100
GPAPM PG11/M16	7016725	6418074091802	Pg 11	M16 x 1,5	8	22	20	13,5	100
GPAPM PG11/M20	7016726	6418074091819	Pg 11	M20 x 1,5	8	24	20	13,5	100
GPAPM PG13.5/M16	7016727	6418074091826	Pg 13,5	M16 x 1,5	9	24	21	15	100
GPAPM PG13.5/M20	7016728	6418074091833	Pg 13,5	M20 x 1,5	9	24	21	15	100
GPAPM PG13.5/M25	7016729	6418074091840	Pg 13,5	M25 x 1,5	9	30	21,5	15	100
GPAPM PG16/M20	7016730	6418074091857	Pg 16	M20 x 1,5	10	27	22	17,5	100
GPAPM PG16/M25	7016731	6418074091864	Pg 16	M25 x 1,5	10	30	22,5	17,5	50
GPAPM PG21/M25	7016732	6418074091871	Pg 21	M25 x 1,5	11	33	23,5	22,5	50
GPAPM PG21/M32	7016733	6418074091888	Pg 21	M32 x 1,5	11	37	25,5	22,5	50
GPAPM PG29/M32	7016734	6418074091895	Pg 29	M32 x 1,5	11	42	25,5	30,5	50
GPAPM PG29/M40	7016735	6418074091901	Pg 29	M40 x 1,5	11	45	25,5	30,5	50

Blanking plug, plastic

GCP M

Metric thread



Technical details

Blanking plug

Polyamide PA6 GF30

Properties

- Single part for use in combination with plastic cable gland

Temperature range

-30...+100 °C

Comment

blanking plug only suitable for application with GPA cable gland of polyamide

Order symbol	Code	EAN	A	L mm	H mm	Da mm	Da1 mm	Pack
RAL 7035								
GCP M12	7016587	6418074062383	M12	9	12,5	10	5,5	50
GCP M16	7016588	6418074062390	M16	12	16	13,5	9,5	50
GCP M20	7016589	6418074062406	M20	12	16,5	16,5	12	50
GCP M25	7016590	6418074062413	M25	15	19,5	20,5	16	50
GCP M32	7016591	6418074062420	M32	17	21,5	24,5	20	25
GCP M40	7016592	6418074062437	M40	20	24	32	27	10
GCP M50	7016593	6418074062444	M50	25	29	39	35	5
GCP M63	7016594	6418074062451	M63	25	29	52	42	5

METAL CABLE GLANDS AND ACCESSORIES

Brass is an alloy made of the metals copper and zinc. Brass types containing small proportions of lead as a third component with a view to improving machining properties are also known as free cutting or machining brass. For our cable glands, we use the alloy CuZn39Pb3.

Brass has good mechanical characteristic values, is resistant to water, vapour, various saline solutions and many organic fluids.

Brass is an exemplary recycling material.

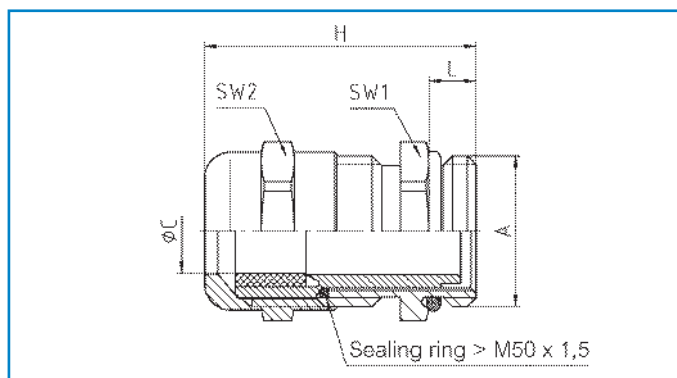
The surface of cable glands and accessories made of brass is coated by galvanisation. The electro nickel plating lends the brass a hard surface and protects it from corrosion, wear and possible stress cracking. The shiny nickel plated surface has a decorative effect and can be polished.



Metal cable gland

GMS M/ML

Metric thread



Technical details

Dome nut	Brass CuZn39Pb3, nickel-plated
Lamellar insert	Polyamide PA6 V-2
Sealing ring	Polychloroprene-Nitrile rubber CR/NBR
Gland body	Brass CuZn39Pb3, nickel-plated
O-ring	Nitrile rubber NBR
Connecting thread	metric as per EN 60423

Properties

- Integrated anchorage
- Protection against twisting
- Wide sealing and clamping range
- Easy-to-install

Temperature range	-20...+100 °C
Protection grade	IP68 – 5 bar / IP69K*
Test standard	EN 50262 / UL 514B

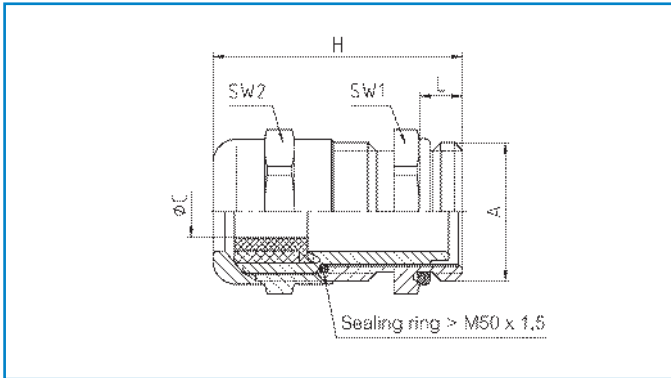
Order symbol	Code	EAN	A	øC mm	L mm	SW1 mm	SW2 mm	H mm	Pack
Connecting thread: standard length									
GMS M12	7016312	6418074055286	M12 x 1,5	3 – 6	5	14	14	25	100
GMS M16	7016315	6418074055293	M16 x 1,5	5 – 9	5	17	17	30	100
GMS M20	7016320	6418074055309	M20 x 1,5	9 – 13	6	22	22	33,5	100
GMS M25	7016325	6418074055316	M25 x 1,5	11 – 16	7	27	27	36,5	50
GMS M32	7016332	6418074055323	M32 x 1,5	14 – 21	8	34	34	38	25
GMS M40	7016340	6418074055330	M40 x 1,5	19 – 27	8	43	43	41	10
GMS M50	7016350	6418074055347	M50 x 1,5	24 – 35	9	55	55	49,5	5
GMS M63	7016363	6418074055354	M63 x 1,5	32 – 42	10	65	65	52,5	5
GMS M63	7016364	6418074090614	M63 x 1,5	38 – 48	10	65	65	52,5	5
Connecting thread: long									
GMS M12L	7016365	6418074090621	M12 x 1,5	3 – 6	10	14	14	30	100
GMS M16L	7016372	6418074090645	M16 x 1,5	5 – 9	10	17	17	35	100
GMS M20L	7016322	6418074092465	M20 x 1,5	9 – 13	10	22	22	37,5	100
GMS M25L	7016366	6418074090638	M25 x 1,5	11 – 16	11	27	27	40,5	50
GMS M32L	7016367	6418074090652	M32 x 1,5	14 – 21	13	34	34	43	25
GMS M40L	7016368	6418074090669	M40 x 1,5	19 – 27	13	43	43	46	10
GMS M50L	7016369	6418074090676	M50 x 1,5	24 – 35	14	55	55	54,5	5
GMS M63L	7016370	6418074090683	M63 x 1,5	32 – 42	14	65	65	56,5	5
GMS M63L	7016371	6418074090690	M63 x 1,5	38 – 48	14	65	65	56,5	5

with Viton sealing ring and Viton O-ring on request
 * IP69K tested for M12 – M25, M50, M63

Metal cable gland

GMS MR/MRL

Metric thread



Technical details

Dome nut	Brass CuZn39Pb3, nickel-plated
Lamellar insert	Polyamide PA6 V-2
Sealing ring / outer part	Polychloroprene-Nitrile rubber CR/NBR
Sealing ring / inner part	Evoprene TPE
Gland body	Brass CuZn39Pb3, nickel-plated
O-ring	Nitrile rubber NBR
Connecting thread	metric as per EN 60423

Properties

- Reducing sealing ring for small cablediameter
- Integrated anchorage,
- Wide sealing and clamping range,
- Protection against twisting
- Easy-to-install

Temperature range	-20...+100 °C
Protection grade	IP68 – 5 bar / IP69K*
Test standard	EN 50262 / UL 514B

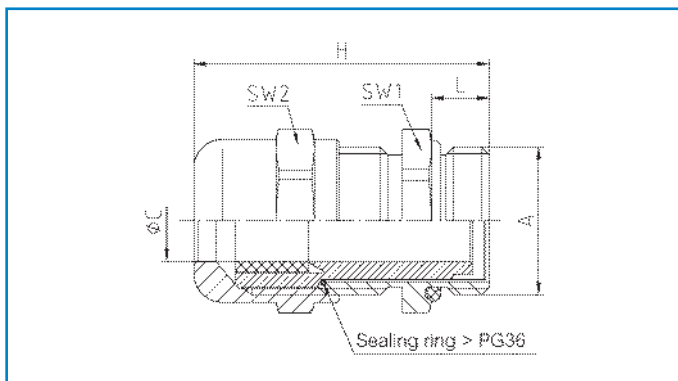
Order symbol	Code	EAN	A	L mm	øC mm	SW1 mm	SW2 mm	H mm	Pack
Connecting thread: standard									
GMS M12R	7016840	6418074090706	M12 x 1,5	5	2 – 5	14	14	25	100
GMS M16R	7016841	6418074090713	M16 x 1,5	5	3 – 9	17	17	30	100
GMS M20R	7016842	6418074090720	M20 x 1,5	6	5 – 13	22	22	33,5	100
GMS M25R	7016843	6418074090737	M25 x 1,5	7	8 – 16	27	27	36,5	50
GMS M32R	7016844	6418074090744	M32 x 1,5	8	12 – 21	34	34	38	25
GMS M40R	7016845	6418074090751	M40 x 1,5	8	16 – 27	43	43	41	10
GMS M50R	7016846	6418074090768	M50 x 1,5	9	21 – 35	55	55	49,5	5
GMS M63R	7016847	6418074090775	M63 x 1,5	10	27 – 48	65	65	52,5	5
Connecting thread: long									
GMS M12RL	7016848	6418074090782	M12 x 1,5	10	2 – 5	14	14	30	100
GMS M16RL	7016849	6418074090799	M16 x 1,5	10	3 – 9	17	17	35	100
GMS M20RL	7016850	6418074090805	M20 x 1,5	10	5 – 13	22	22	37,5	100
GMS M25RL	7016851	6418074090812	M25 x 1,5	11	8 – 16	27	27	40,5	50
GMS M32RL	7016852	6418074090829	M32 x 1,5	13	12 – 21	34	34	43	25
GMS M40RL	7016853	6418074090836	M40 x 1,5	13	16 – 27	43	43	46	10
GMS M50RL	7016854	6418074090843	M50 x 1,5	14	21 – 35	55	55	54,5	5
GMS M63RL	7016855	6418074090850	M63 x 1,5	14	27 – 48	65	65	56,6	5

* IP69K tested for M12 – M25, M50, M63

Metal cable gland

GMS PG/PGL

PG thread



Technical details

Dome nut	Brass CuZn39Pb3, nickel-plated
Lamellar insert	Polyamide PA6 V-2
Sealing ring	Polychloroprene-Nitrile rubber CR/NBR
Gland body	Brass CuZn39Pb3, nickel-plated
O-ring	Nitrile rubber NBR
Connecting thread	Pg as per DIN 40430

Properties

- Integrated anchorage
- Protection against twisting
- Wide sealing and clamping range
- Easy-to-install

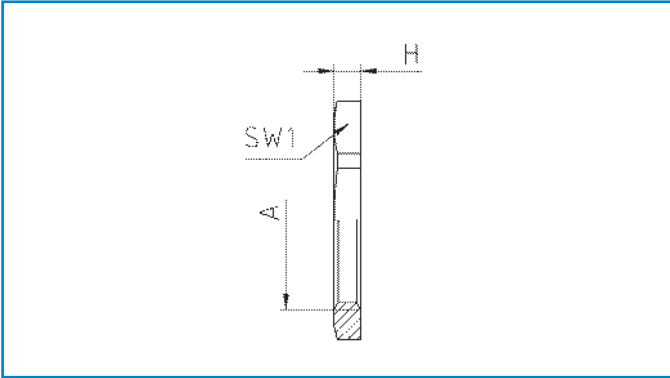
Temperature range	-20...+100 °C
Protection grade	IP68 – 5 bar

Order symbol	Code	EAN	A	øC mm	L mm	SW1 mm	SW2 mm	H mm	Pack
Connecting thread: standard length									
GMS PG7	7016444	6418074055446	Pg 7	3 – 6,5	5	14	14	24	100
GMS PG9	7016445	6418074055453	Pg 9	4 – 8	6	17	17	29	100
GMS PG11	7016446	6418074055460	Pg 11	5 – 10	6	20	20	29,5	50
GMS PG13.5	7016447	6418074055477	Pg 13,5	6 – 12	6,5	22	22	31,5	50
GMS PG16	7016448	6418074055484	Pg 16	10 – 14	6,5	24	24	31,5	50
GMS PG21	7016449	6418074055491	Pg 21	13 – 18	7	30	30	34	50
GMS PG29	7016450	6418074055507	Pg 29	18 – 25	8	40	40	39	25
GMS PG36	7016451	6418074055514	Pg 36	24 – 32	9	50	50	45	10
GMS PG42	7016452	6418074055521	Pg 42	30 – 38	10	57	57	49	5
GMS PG48	7016453	6418074055538	Pg 48	34 – 44	10	64	64	52	5
Connecting thread: long									
GMS PG7L	7016744	6418074091918	Pg 7	3 – 6,5	15	14	14	34	100
GMS PG9L	7016745	6418074012364	Pg 9	4 – 8	15	17	17	38	100
GMS PG11L	7016746	6418074091925	Pg 11	5 – 10	15	20	20	38,5	50
GMS PG13.5L	7016747	6418074091932	Pg 13,5	6 – 12	15	22	22	40	50
GMS PG16L	7016748	6418074091949	Pg 16	10 – 14	15	24	24	40	50
GMS PG21L	7016749	6418074012371	Pg 21	13 – 18	15	30	30	42	50
GMS PG29L	7016740	6418074091956	Pg 29	18 – 25	15	40	40	46	25

Hexagonal locknut, metal

GMS MB/B

Metric thread
PG thread



Technical details

Hexagonal locknut
Internal thread

Brass CuZn39Pb3, nickel-plated
metric as per EN 60423 and ISO 965

Properties

- For secure tightening of cable glands and accessories

Temperature range up to +200 °C

Order symbol	Code	EAN	A	SW1 mm	H mm	Pack
Connecting thread: standard						
GMS M12B	7016770	6418074091321	M12 x 1,5	15	2,8	100
GMS M16B	7016771	6418074091338	M16 x 1,5	19	2,8	100
GMS M20B	7016772	6418074091345	M20 x 1,5	24	3	100
GMS M25B	7016773	6418074091352	M25 x 1,5	30	3,5	100
GMS M32B	7016774	6418074091369	M32 x 1,5	36	4	100
GMS M40B	7016775	6418074091376	M40 x 1,5	46	5	50
GMS M50B	7016776	6418074091383	M50 x 1,5	60	5	50
GMS M63B	7016777	6418074091390	M63 x 1,5	70	6	50

Technical details

Hexagonal locknut
Internal thread

Brass CuZn39Pb3, nickel-plated
Pg as per DIN 40430

Properties

- For secure tightening of cable glands and accessories

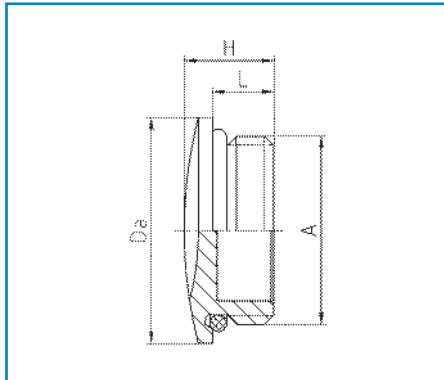
Temperature range -60...+200 °C

Order symbol	Code	EAN	A	SW1 mm	H mm	Pack
Connecting thread: standard						
GMS PG7B	7016454	6418074055545	Pg 7	15	2,8	100
GMS PG9B	7016455	6418074055552	Pg 9	18	2,8	100
GMS PG11B	7016456	6418074055569	Pg 11	21	3	100
GMS PG13.5B	7016457	6418074055576	Pg 13,5	23	3	100
GMS PG16B	7016458	6418074055583	Pg 16	26	3	100
GMS PG21B	7016459	6418074055590	Pg 21	32	3,5	100
GMS PG29B	7016460	6418074055606	Pg 29	41	4	100
GMS PG36B	7016461	6418074055613	Pg 36	51	5	50
GMS PG42B	7016462	6418074055620	Pg 42	60	5	50
GMS PG48B	7016463	6418074055637	Pg 48	64	5,5	50

Screw plug, metal

GSM M/PG

Metric thread
PG thread



Technical details

Screw plug Brass CuZn39Pb3, nickel-plated
O-ring Nitrile rubber NBR
Connecting thread metric as per EN 60423

Properties

- For secure sealing of unused threaded or clearance holes
Temperature range -30...+100 °C
Protection grade IP65 / IP68
Type 4X
Test standard UL 514A, 25 / UL 50, 35.2 / UL 746C, 14

Order symbol	Code	EAN	A	L mm	H mm	Da mm	Pack
GSM M12 slot	7016620	6418074091482	M12 x 1,5	5	8	16	100
GSM M16 slot	7016621	6418074091499	M16 x 1,5	6	9	20	100
GSM M20 slot	7016622	6418074091505	M20 x 1,5	6,5	9,5	24	100
GSM M25 slot	7016623	6418074091512	M25 x 1,5	7	11	28	100
GSM M32 slot	7016624	6418074091529	M32 x 1,5	8	12	35	50
GSM M40 slot	7016625	6418074091536	M40 x 1,5	8	12	45	50
GSM M50 slot	7016626	6418074091543	M50 x 1,5	9	15	55	25
GSM M63 slot	7016627	6418074091550	M63 x 1,5	10	16	68	10

Technical details

Screw plug Brass CuZn39Pb3, nickel-plated
O-ring Nitrile rubber NBR
Connecting thread Pg as per DIN 40430

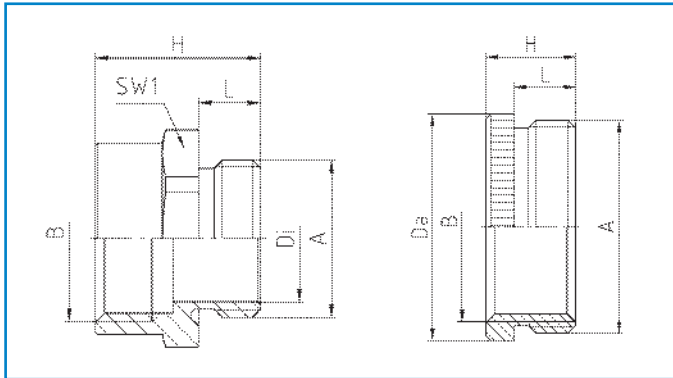
Properties

- For secure sealing of unused threaded or clearance holes
Temperature range -30...+100 °C
Protection grade IP68

Order symbol	Code	EAN	A	L mm	H mm	Da mm	Pack
Round							
GSM PG7 slot	7016920	6418074091963	Pg 7	4,5	7	16	100
GSM PG9 slot	7016921	6418074091970	Pg 9	4,5	8	19	100
GSM PG11 slot	7016922	6418074091987	Pg 11	4,5	8	22	100
GSM PG13.5 slot	7016923	6418074091994	Pg 13,5	6	10	24	100
GSM PG16 slot	7016924	6418074092007	Pg 16	6	10	26	100
GSM PG21 slot	7016925	6418074092014	Pg 21	6,5	10	32	100
GSM PG29 slot	7016926	6418074092021	Pg 29	8	12	39	50
GSM PG36 slot	7016927	6418074092038	Pg 36	9	15	50	25
GSM PG42 slot	7016928	6418074092045	Pg 42	10	16	57	25
GSM PG48 slot	7016929	6418074092052	Pg 48	10	16	64	10

Adapter, metal

GMSPM PG/M



Technical details

Adapter Brass CuZn39Pb3, nickel-plated
 External thread Pg as per DIN 40430
 Internal thread metric as per EN 60423

Properties

- Adapter from Pg to metric threaded holes

Temperature range up to +200 °C
 Protection grade dependent on the combination with other components

Order symbol	Code	EAN	A	B	L mm	SW1 mm	H mm	Di mm	Pack
Hexagonal									
GMSPM PG7/M12	7016600	6418074091567	Pg 7	M12 x 1,5	5	14	15	9	100
GMSPM PG9/M16	7016601	6418074091574	Pg 9	M16 x 1,5	6	19	16	12,2	100
GMSPM PG11/M16	7016602	6418074091581	Pg 11	M16 x 1,5	6	22	16	13	100
GMSPM PG13.5/M20	7016603	6418074091598	Pg 13,5	M20 x 1,5	6,5	24	17,5	16	100
GMSPM PG16/M20	7016604	6418074091604	Pg 16	M20 x 1,5	6,5	27	17,5	18,5	100
GMSPM PG16/M25	7016605	6418074091611	Pg 16	M25 x 1,5	6,5	30	18,5	18,5	100
GMSPM PG21/M25	7016606	6418074091628	Pg 21	M25 x 1,5	7	32	19	23	100
GMSPM PG21/M32	7016607	6418074091635	Pg 21	M32 x 1,5	7	36	20	23	100
GMSPM PG29/M40	7016608	6418074091642	Pg 29	M40 x 1,5	8	43	21	32	50
GMSPM PG36/M50	7016609	6418074091659	Pg 36	M50 x 1,5	9	55	23	42	25
GMSPM PG42/M63	7016610	6418074091666	Pg 42	M63 x 1,5	10	65	25	48	10

EMC CABLE GLANDS AND ACCESSORIES

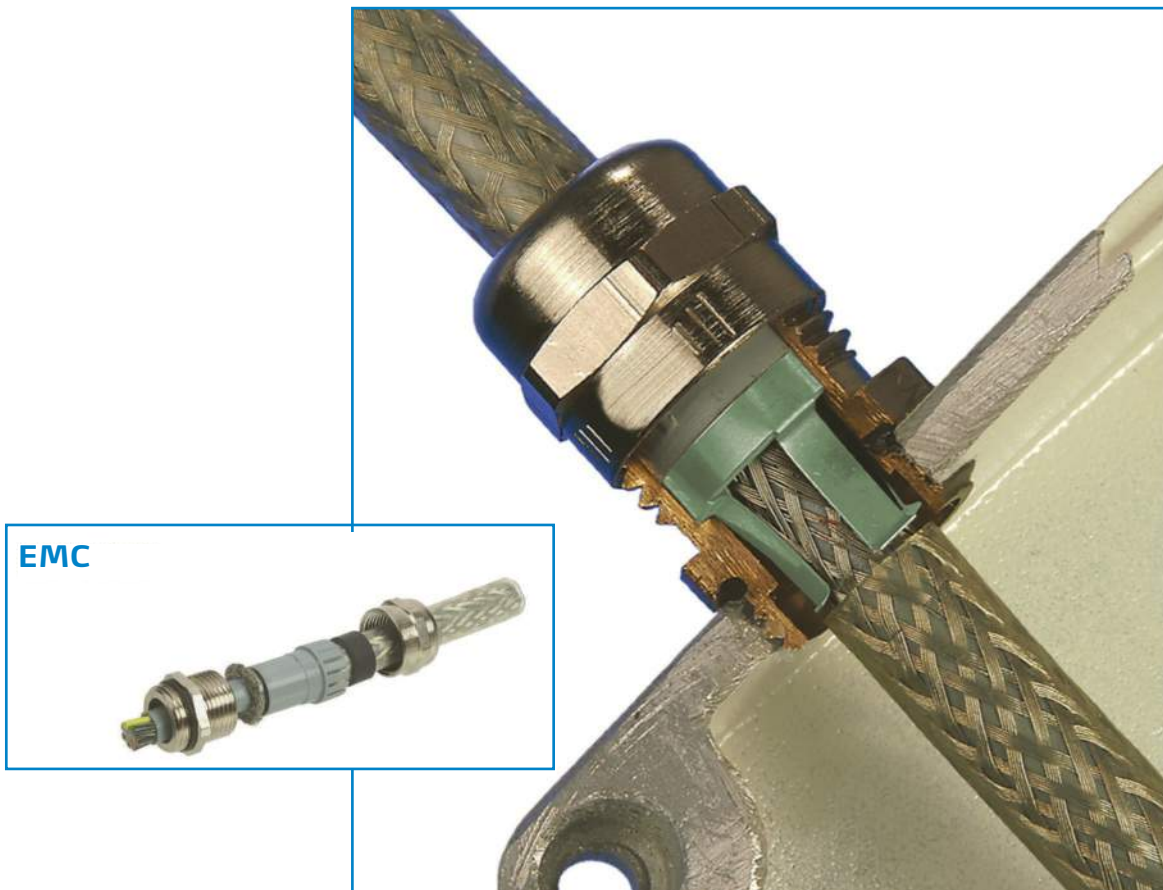
Fundamentals, assembly instruction

One important quality characteristics of electrical and electronic products is their electromagnetic compatibility (EMC). To ensure trouble-free operation of electrical appliances, systems and plants, the basic EMC requirements must be met, i.e. electrical devices must be protected from interference and must not themselves interfere with other appliances and equipment.

In the field of plant engineering arise special problems due to enormous cable lengths for energy supply and data transmission. Cables and

leads from a certain size on have a similar behaviour like an antenna and are therefore a considerable coupling source for interference. Due to the antenna-like action electromagnetic interference is received and heterodynes the wanted signal. The result may be a malfunction of the appliance up to a total breakdown of the machines or production lines.

An effective protection in such cases is the use of cables and leads with shielding, that consists of a dense wire gauze or a thin metal foil. The function of the shielding is to trap and cushion interferences.



Cable glands play an important part in safeguarding EMC requirements where cables and leads enter into a shielding system. They have to ensure a permanent connection with very low ohmic or inductive resistance between the cable shield and the housing potential.

Our EMC cable glands meets these requirements in an outstanding way.

The assembly of cable gland type GMS EMC/M/ML is quick and easy:

1. Partially expose the braided screen by removing the outer sheath of the cable at a length of approx. 10 mm
2. Insert the cable through the dome nut and the gland body until the contact spring is pressed against the braided screen.
3. Firmly screw on dome nut – finished!

Due to this principle it is possible to conduct the braided screen of the EMC cable through the entire gland body up to the clamping area of the inner wires.

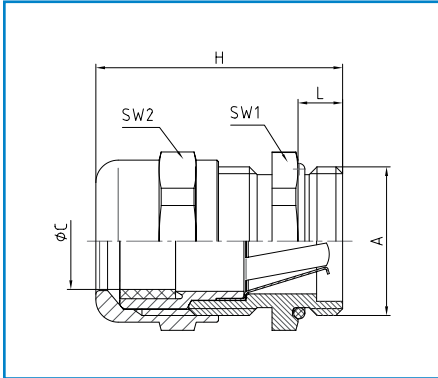


The equipotential bonding and the vibration protection can be improved further by using our hexagonal locknut with cutting edges – see page 25 - 26.

EMC cable gland

GMS EMC M/ML

Metric thread



Technical details

Dome nut	Brass CuZn39Pb3, nickel-plated
Lamellar insert	Polyamide PA6 V-2
Sealing ring	Polychloroprene-Nitrile rubber CR/NBR
Contact spring	Stainless steel
Gland body	Brass CuZn39Pb3, nickel-plated
O-ring	Nitrile rubber NBR
Connecting thread	metric as per EN 60423

Properties

- For cables with shielding, quick and easy EMC connection of the cable shield via the contacting spring with the Gland body and the housing potential
- Integrated anchorage
- Wide sealing and clamping range

Temperature range	-20...+100 °C
Protection grade	IP68
Test standard	UL 514B

Order symbol	Code	EAN	A	$\varnothing C$ mm	L mm	SW1 mm	SW2 mm	H mm	Pack
--------------	------	-----	---	-----------------------	---------	-----------	-----------	---------	------

Connecting thread: standard length

GMS EMC2 M16	7016820	6418074090867	M16 x 1,5	5 - 9	5	17	17	30	100
GMS EMC2 M20	7016821	6418074090874	M20 x 1,5	9 - 13	6	22	22	33,5	100
GMS EMC2 M25	7016822	6418074090881	M25 x 1,5	11 - 16	7	27	27	36,5	50
GMS EMC2 M32	7016823	6418074090898	M32 x 1,5	14 - 21	8	34	34	38	25
GMS EMC2 M40	7016824	6418074090904	M40 x 1,5	19 - 27	8	43	43	41	10
GMS EMC2 M50	7016825	6418074090911	M50 x 1,5	24 - 35	9	55	55	49,5	5
GMS EMC2 M63	7016826	6418074090928	M63 x 1,5	32 - 42	10	65	65	52,5	5

Connecting thread: long

GMS EMC2 M16L	7016827	6418074090935	M16 x 1,5	5 - 9	10	17	17	35	100
GMS EMC2 M20L	7016828	6418074090942	M20 x 1,5	9 - 13	10	22	22	37,5	100
GMS EMC2 M25L	7016829	6418074090959	M25 x 1,5	11 - 16	11	27	27	40,5	50
GMS EMC2 M32L	7016830	6418074090966	M32 x 1,5	14 - 21	13	34	34	43	25
GMS EMC2 M40L	7016831	6418074090973	M40 x 1,5	19 - 27	13	43	43	46	10

EMC cable gland

Fundamentals, assembly instruction

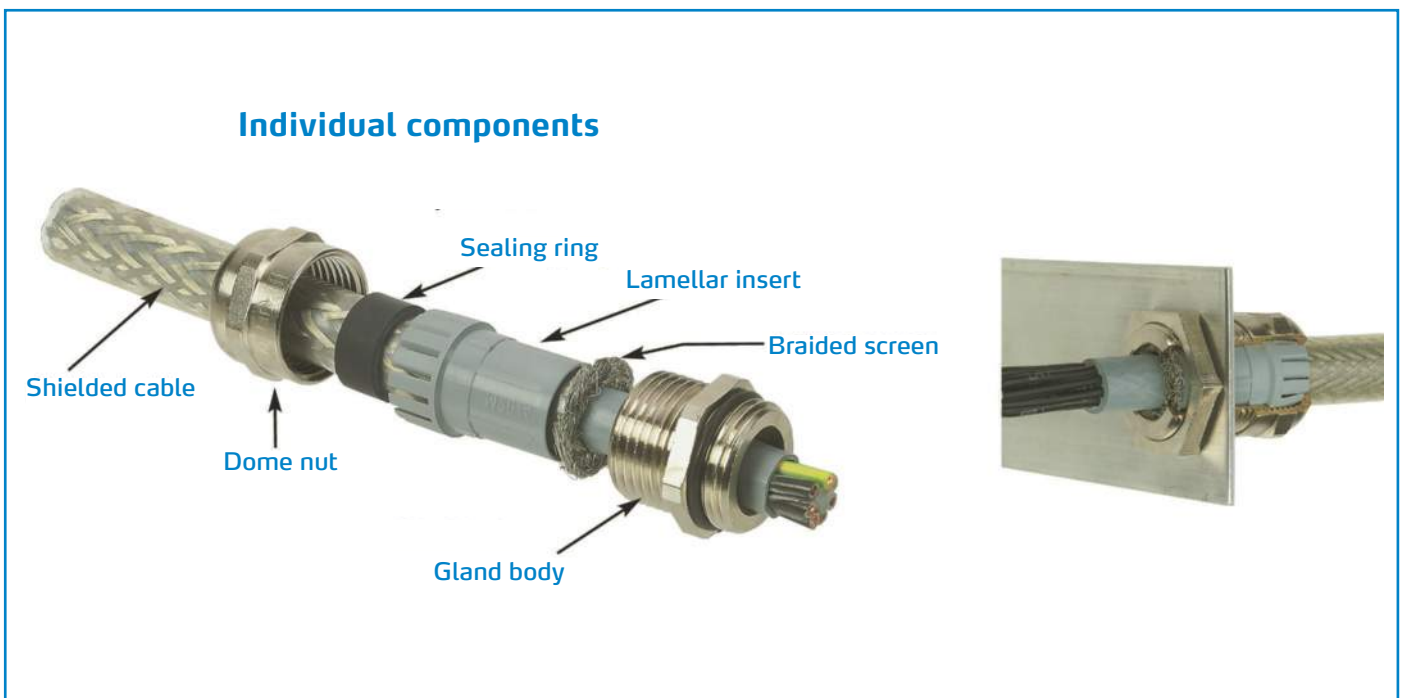
Our EMC cable gland type *GMS EMC/M/ML/MW* ensures continuous contacting without gaps. The dome nut and the lamellar insert are simply pushed onto the lead. The exposed cable shield is folded around the lamellar insert, and the gland body is then pushed on.

The screw-fitting of the dome nut ensures that the cable shield is pressed over a large surface between the torsion-protected lamellar insert and the gland body.

The result is a very good metal contact area of the cable shield via the gland body to the housing protected from external environmental influences.

Assembly instruction

1. Cut off outer cable sheath and expose braided screen over a length of approx. 10 – 15 mm, depending on the cable diameter.
2. Push dome nut and lamellar insert with sealing ring on to the cable.
3. Bend braided screen outwards at a right angle (90°).
4. Fold braided screen towards outer sheath, i.e. by another 180°.
5. Push gland body up to braided screen and turn briefly around both sides of the cable axis.
6. Push lamellar insert with sealing ring into gland body and snap anti-rotation element into place.
7. Firmly screw on dome nut.



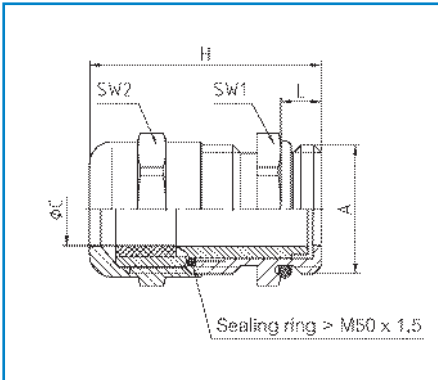
EMC test report

Our EMC cable glands type *GMS/M/ML/MW* have been tested to the VG standard for transfer 95373 Part 40 for transfer impedance and shield attenuation. On request, we will be pleased to provide you with a copy of the complete test report.

EMC cable gland

GMS EMC M/ML/MW

Metric thread



Technical details

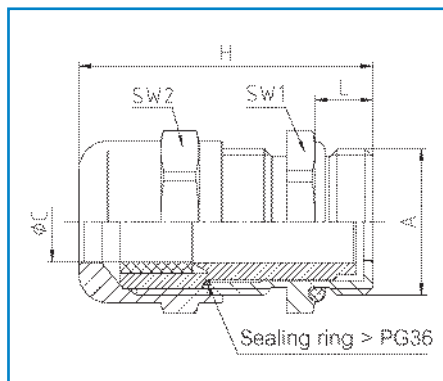
Dome nut	Brass CuZn39Pb3, nickel-plated
Lamellar insert	Polyamide PA6 V-2
Sealing ring	Polychloroprene-Nitrile rubber CR/NBR
Gland body	Brass CuZn39Pb3, nickel-plated
O-ring	Nitrile rubber NBR
Connecting thread	metric as per EN 60423

Properties

- For cables with shielding	
- Integrated anchorage	
- Protection against twisting	
- Wide sealing and clamping range	
Temperature range	-20...+100 °C
Protection grade	IP68 – 5 bar / IP69K*
Test standard	EN 50262 / UL 514B

Order symbol	Code	EAN	A	øC mm	L mm	SW1 mm	SW2 mm	H mm	Pack
Connecting thread: standard length									
GMS EMC M12	7016790	6418074090980	M12 x 1,5	3 – 6	5	14	14	25	100
GMS EMC M16	7016791	6418074090997	M16 x 1,5	5 – 9	5	17	17	30	100
GMS EMC M20	7016792	6418074091000	M20 x 1,5	9 – 13	6	22	22	33,5	100
GMS EMC M25	7016793	6418074091017	M25 x 1,5	11 – 16	7	27	27	36,5	50
GMS EMC M32	7016794	6418074091024	M32 x 1,5	14 – 21	8	34	34	38	25
GMS EMC M40	7016795	6418074091031	M40 x 1,5	19 – 27	8	43	43	41	10
GMS EMC M50	7016796	6418074091048	M50 x 1,5	24 – 35	9	55	55	49,5	5
GMS EMC M63	7016797	6418074091055	M63 x 1,5	32 – 42	10	65	65	52,5	5
Connecting thread: long									
GMS EMC M12L	7016806	6418074091147	M12 x 1,5	3 – 6	10	14	14	30	100
GMS EMC M16L	7016807	6418074091154	M16 x 1,5	5 – 9	10	17	17	35	100
GMS EMC M20L	7016808	6418074091161	M20 x 1,5	9 – 13	10	22	22	37,5	100
GMS EMC M25L	7016809	6418074091178	M25 x 1,5	11 – 16	11	27	27	40,5	50
GMS EMC M32L	7016810	6418074091185	M32 x 1,5	14 – 21	13	34	34	43	25
GMS EMC M40L	7016811	6418074091192	M40 x 1,5	19 – 27	13	43	43	46	10
GMS EMC M50L	7016812	6418074091208	M50 x 1,5	24 – 35	14	55	55	54,5	5
GMS EMC M63L	7016813	6418074091215	M63 x 1,5	32 – 42	14	65	65	56,5	5
Connecting thread: wide									
GMS EMC M16W	7016799	6418074091079	M16 x 1,5	3 – 9	5	17	17	30	100
GMS EMC M20W	7016800	6418074091086	M20 x 1,5	5 – 13	6	22	22	33,5	100
GMS EMC M25W	7016801	6418074091093	M25 x 1,5	8 – 16	7	27	27	36,5	50
GMS EMC M32W	7016802	6418074091109	M32 x 1,5	12 – 21	8	34	34	38	25
GMS EMC M40W	7016803	6418074091116	M40 x 1,5	16 – 27	8	43	43	41	10
GMS EMC M50W	7016804	6418074091123	M50 x 1,5	21 – 35	9	55	55	49,5	5
GMS EMC M63W	7016805	6418074091130	M63 x 1,5	27 – 48	10	65	65	52,5	5

* IP69K tested for M12-M25, M50, M63



Technical details

Dome nut	Brass CuZn39Pb3, nickel-plated
Lamellar insert	Polyamide PA6 V-2
Sealing ring	Polychloroprene-Nitrile rubber CR/NBR
Gland body	Brass CuZn39Pb3, nickel-plated
O-ring	Nitrile rubber NBR
Connecting thread	Pg as per DIN 40430

Properties

- For cables with shielding
- Integrated anchorage
- Protection against twisting
- Wide sealing and clamping range

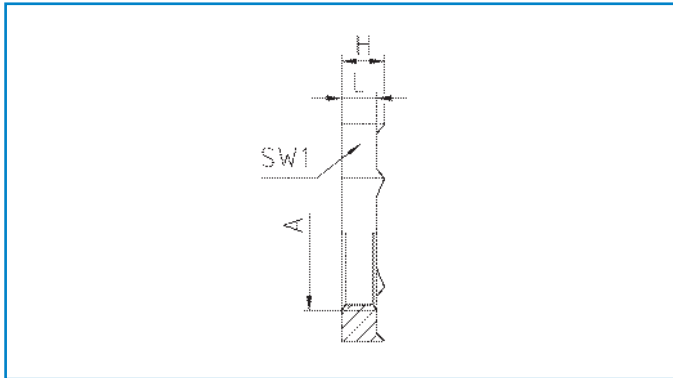
Temperature range	-20...+100 °C
Protection grade	IP68 – 5 bar

Order symbol	Code	EAN	A	øC mm	L mm	SW1 mm	SW2 mm	H mm	Pack
Connecting thread: standard length									
GMS EMC PG7	7016551	6418074056559	Pg 7	3 – 6,5	5	14	14	24	100
GMS EMC PG9	7016552	6418074056566	Pg 9	4 – 8	6	17	17	29	100
GMS EMC PG11	7016553	6418074056573	Pg 11	5 – 10	6	20	20	29,5	100
GMS EMC PG13.5	7016554	6418074056580	Pg 13,5	6 – 12	6,5	22	22	31,5	50
GMS EMC PG16	7016555	6418074056597	Pg 16	10 – 14	6,5	24	24	31,5	50
GMS EMC PG21	7016556	6418074056603	Pg 21	13 – 18	7	30	30	34	25
GMS EMC PG29	7016557	6418074056610	Pg 29	18 – 25	8	40	40	39	25
GMS EMC PG36	7016558	6418074056627	Pg 36	24 – 32	9	50	50	45	10
GMS EMC PG42	7016559	6418074056634	Pg 42	30 – 38	10	57	57	49	5
GMS EMC PG48	7016560	6418074056641	Pg 48	34 – 44	10	64	64	52	5

Hexagonal locknut, EMC

GMS EMC MB

Metric thread



Technical details

Hexagonal locknut
Internal thread

Brass CuZn39Pb3, nickel-plated
metric as per EN 60423

Properties

- With cutting edges for secure tightening of EMC-cable glands
- To cut through paint layers or powder coatings ensuring optimal contact for equipotential bonding
- Increased vibration resistance

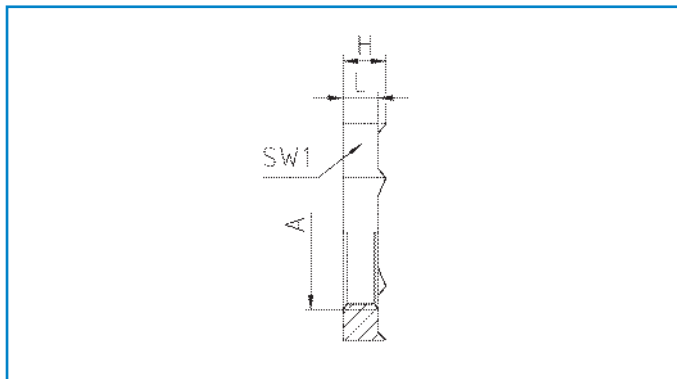
Temperature range up to +200 °C

Order symbol	Code	EAN	A	L mm	SW1 mm	H mm	Pack
With cutting edges							
GMS EMC M12B	7016756	6418074091406	M12 x 1,5	4,5	15	5,5	100
GMS EMC M16B	7016757	6418074091413	M16 x 1,5	4,5	19	5,5	100
GMS EMC M20B	7016758	6418074091420	M20 x 1,5	4,5	24	5,5	100
GMS EMC M25B	7016759	6418074091437	M25 x 1,5	4,5	30	5,5	100
GMS EMC M32B	7016760	6418074091444	M32 x 1,5	4,5	36	5,5	100
GMS EMC M40B	7016761	6418074091451	M40 x 1,5	5	46	6	50
GMS EMC M50B	7016762	6418074091468	M50 x 1,5	5	60	6	50
GMS EMC M63B	7016763	6418074091475	M63 x 1,5	6	70	7	50

Hexagonal locknut, EMC

GMS EMC PGB

PG thread



Technical details

Hexagonal locknut
Internal thread

Brass CuZn39Pb3, nickel-plated
Pg as per DIN 40430

Properties

- With cutting edges for secure tightening of EMC-cable glands
- To cut through paint layers or powder coatings ensuring optimal contact for equipotential bonding
- increased vibration resistance

Temperature range -60...+200 °C

Order symbol	Code	EAN	A	L mm	SW1 mm	H mm	Pack
With cutting edges							
GMS EMC PG7B	7016930	6418074093721	Pg 7	3,7	15	4,7	100
GMS EMC PG9B	7016931	6418074093738	Pg 9	3,7	18	4,7	100
GMS EMC PG11B	7016932	6418074093745	Pg 11	3,7	21	4,7	100
GMS EMC PG13,5B	7016933	6418074093752	Pg 13,5	3,7	23	4,7	100
GMS EMC PG16B	7016934	6418074093769	Pg 16	3,7	26	4,7	100
GMS EMC PG21B	7016935	6418074093776	Pg 21	4,2	32	5,2	100
GMS EMC PG29B	7016936	6418074093783	Pg 29	4,7	41	5,7	100
GMS EMC PG36B	7016937	6418074093790	Pg 36	5	51	6	50
GMS EMC PG42B	7016938	6418074093806	Pg 42	5	60	6	50
GMS EMC PG48B	7016939	6418074093813	Pg 48	5,5	64	6,5	50

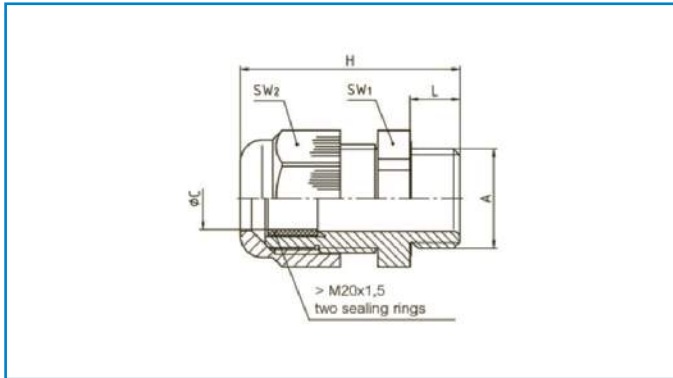
EX CABLE GLANDS AND ACCESSORIES



Ex cable gland, plastic

GPA ExM

Metric thread



Technical details

Dome nut	Polyamide PA6
Dust cap	Polyethylene PE-LD
Sealing ring/outer part	Polychloroprene-Nitrile rubber CR/NBR
Sealing ring/inner part	Evoprene TPE (from M20 x 1,5)
Gland body	Polyamide PA6
Connecting thread	metric, as per EN 60423

Properties

- Wide sealing and clamping range
- Integrated anchorage
- Easy-to-install

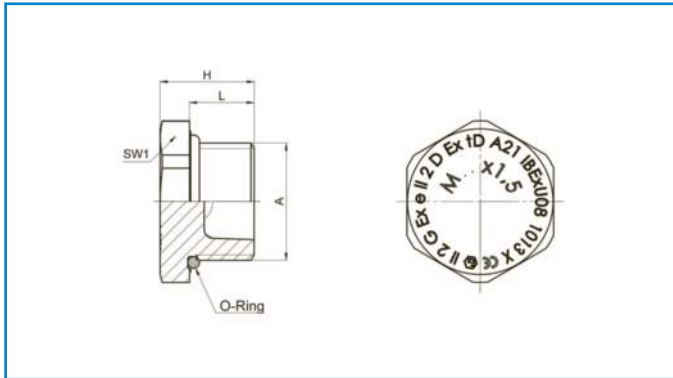
Equipment group	II
Category / Zone	2G, 2D and 3G/ 1, 2, 21, 22
Type of protection	Ex e, increased safety Ex tD A21 – Protection by enclosures
Cable installation	fixed
Temperature range	-20...+70 (M12 and M16) °C -30...+70 (M20 to M63) °C
Protection grade	IP66
Test standard	EN 60079-0 / EN 60079-7 EN 61241-0 / EN 61241-1

Order symbol	Code	EAN	A	$\varnothing C$ mm	L mm	SW1 mm	SW2 mm	H mm	Pack
RAL 9005: Connecting thread: standard length									
GPA Ex M12 9005	7016436	6418074055200	M12 x 1,5	4 – 7	8	15	15	31	100
GPA Ex M16 9005	7016437	6418074055217	M16 x 1,5	5,5 – 10	8	20	20	35,5	100
GPA Ex M20 9005	7016438	6418074055224	M20 x 1,5	5,5 – 13	8	24	24	37	100
GPA Ex M25 9005	7016439	6418074055231	M25 x 1,5	8 – 17	8	29	29	43	50
GPA Ex M32 9005	7016440	6418074055248	M32 x 1,5	12 – 21	10	36	36	50	25
GPA Ex M40 9005	7016441	6418074055255	M40 x 1,5	17 – 28	10	46	46	51	10
GPA Ex M50 9005	7016442	6418074055262	M50 x 1,5	22 – 35	12	55	55	61,5	5
GPA Ex M63 9005	7016443	6418074055279	M63 x 1,5	27 – 48	12	68	68	65,5	5
RAL 5015: Connecting thread: standard length									
GPA Ex M12 5015	7016636	6418074015921	M12 x 1,5	4 – 7	8	15	15	31	100
GPA Ex M16 5015	7016637	6418074015938	M16 x 1,5	5,5 – 10	8	20	20	35,5	100
GPA Ex M20 5015	7016638	6418074015945	M20 x 1,5	5,5 – 13	8	24	24	37	100
GPA Ex M25 5015	7016639	6418074015952	M25 x 1,5	8 – 17	8	29	29	43	50
GPA Ex M32 5015	7016640	6418074015969	M32 x 1,5	12 – 21	10	36	36	50	25
GPA Ex M40 5015	7016641	6418074015976	M40 x 1,5	17 – 28	10	46	46	51	10
GPA Ex M50 5015	7016642	6418074015983	M50 x 1,5	22 – 35	12	55	55	61,5	5
GPA Ex M63 5015	7016643	6418074015990	M63 x 1,5	27 – 48	12	68	68	65,5	5

Ex screw plug, plastic

GSP MSeX

Metric thread



Technical details

Screw plug	Polyamide PA6 GF30 V-0
O-ring	Choice from three materials possible: 01: Silicone rubber VMQ 02: Ethylene-Propylene rubber EPDM 03: Nitrile rubber NBR
Connecting thread	metric, as per EN 60423

Properties

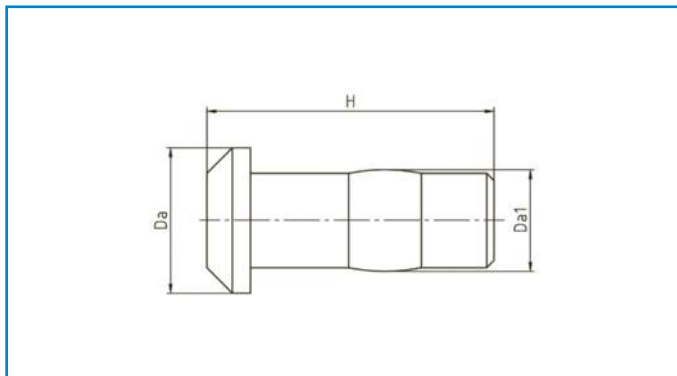
- For secure sealing of unused threaded or clearance hole	
Equipment group	II
Category / Zone	2G, 2D and 3G/ 1, 2, 21, 22
Type of protection	Ex e, increased safety Ex tD A21 – Protection by enclosures
Temperature range	01: -55 °C/ +95 °C depending on the material of O-ring 02 und 03: -40 °C/ +95 °C
Protection grade	IP66 / IP68 10 (6h) bar IP69K
Test standard	EN 60079-0 / EN 60079-7 EN 61241-0 / EN 61241-1

Order symbol	Code	EAN	A	L mm	SW1 mm	H mm	O-ring Material	Pack
RAL 9005								
GSP M12S Ex hexagonal	7016690	6418074092380	M12 x 1,5	10	16	15	VMQ	100
GSP M16S Ex hexagonal	7016691	6418074092397	M16 x 1,5	10	21	21	VMQ	100
GSP M20S Ex hexagonal	7016692	6418074092403	M20 x 1,5	11	25	16	VMQ	100
GSP M25S Ex hexagonal	7016693	6418074092410	M25 x 1,5	11,5	30	17,5	VMQ	100
GSP M32S Ex hexagonal	7016694	6418074092427	M32 x 1,5	13	37	20	VMQ	50
GSP M40S Ex hexagonal	7016695	6418074092434	M40 x 1,5	13	46	20	VMQ	25
GSP M50S Ex hexagonal	7016696	6418074092441	M50 x 1,5	15	56	23	VMQ	25
GSP M63S Ex hexagonal	7016697	6418074092458	M63 x 1,5	15	69	23	VMQ	25

Ex blanking plug, plastic

GCP MEx

Metric thread



Technical details

Blanking plug

Polyamide PA6, red

Properties

- Protective closure for uninstalled EX cable glands
- Application only in Ex cable glands GPA Ex

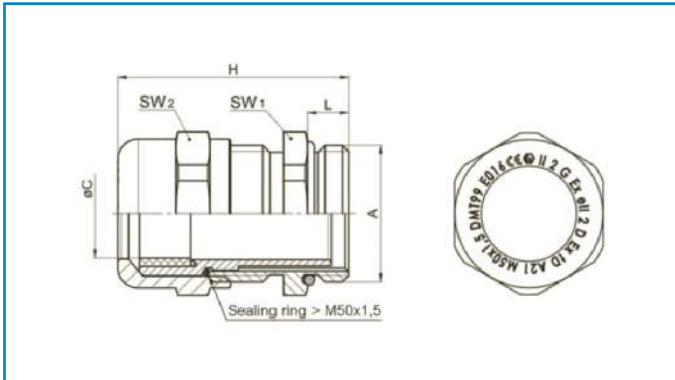
Equipment group	II
Category / Zone	2G, 2D and 3G/ 1, 2, 21, 22
Type of protection	Ex e, increased safety Ex tD A21 – Protection by enclosures
Temperature range	+20...+70 °C (M12 and M16) °C -55...+70 °C (M20 to M32) °C
Protection grade	IP66
Test standard	EN 60079-0 / EN 60079-7 EN 61241-0 / EN 61241-1

Order symbol	Code	EAN	Size	H mm	Da mm	Da1 mm	Pack
Red							
GCP M12 Ex	7016870	6418074092496	12	30,3	7	6	20
GCP M16 Ex	7016871	6418074092502	16	33	8	7	20
GCP M20 Ex	7016872	6418074092519	20	34,5	12	8,5	20
GCP M25 Ex	7016873	6418074092526	25	36	16	11	20
GCP M32 Ex	7016874	6418074092533	32	39,5	20	14	20

Ex cable gland, metal

GMS Ex M/ML

Metric thread



Technical details

Dome nut	Brass CuZn39Pb3, nickel-plated
Dust cap	Polyethylene PE-LD
Lamellar insert	Polyamide PA6 V-2
Sealing ring	Polychloroprene-Nitrile rubber CR/NBR
Gland body	Brass CuZn39Pb3, nickel-plated
O-ring	Nitrile rubber
Connecting thread	metric, as per EN 60423

Properties

- Integrated anchorage
- Wide sealing and clamping range
- Easy-to-install

Equipment group	II
Category / Zone	2G, 2D and 3G/ 1, 2, 21, 22
Type of protection	Ex e, increased safety Ex tD A21 – Protection by enclosures
Cable installation	fixed
Temperature range	-20...+80 °C
Protection grade	IP68 5 bar
Test standard	EN 60079-0 / EN 60079-7 EN 61241-0 / EN 61241-1

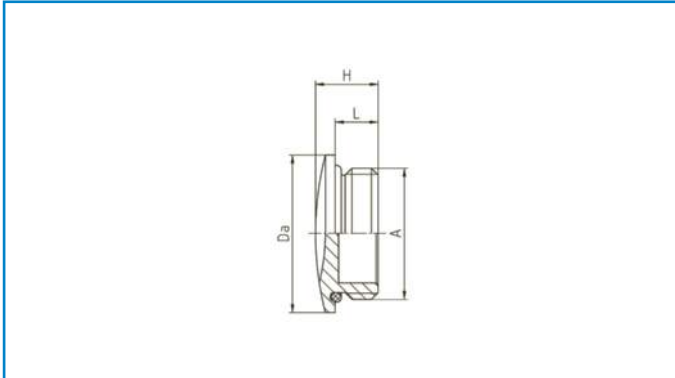
Order symbol	Code	EAN	A	øC mm	L mm	SW1 mm	SW2 mm	H mm	Pack
Connecting thread: standard length									
GMS Ex M12	7016644	6418074092069	M12 x 1,5	3 – 6,5	5	14	14	24	100
GMS Ex M16	7016645	6418074092076	M16 x 1,5	5 – 9	5	17	17	29	100
GMS Ex M20	7016646	6418074092083	M20 x 1,5	9 – 13	6	22	22	33	100
GMS Ex M20R	7016647	6418074092090	M20 x 1,5	6 – 12	6	22	22	31	100
GMS Ex M25	7016648	6418074092106	M25 x 1,5	11 – 16	7	27	27	36,5	50
GMS Ex M32	7016649	6418074092113	M32 x 1,5	14 – 21	8	34	34	38	25
GMS Ex M40	7016650	6418074092120	M40 x 1,5	19 – 27	8	43	43	41	10
GMS Ex M50	7016651	6418074092137	M50 x 1,5	24 – 35	9	55	55	47,5	5
GMS Ex M63R	7016652	6418074092144	M63 x 1,5	32 – 42	10	65	65	54,5	5
GMS Ex M63	7016653	6418074092151	M63 x 1,5	38 – 48	10	65	65	54,5	5

Order symbol	Code	EAN	A	øC mm	L mm	SW1 mm	SW2 mm	H mm	Pack
Connecting thread: long									
GMS Ex M12L	7016654	6418074092168	M12 x 1,5	3 – 6	10	14	14	30	100
GMS Ex M16L	7016655	6418074092175	M16 x 1,5	5 – 9	10	17	17	34	100
GMS Ex M20L	7016656	6418074092182	M20 x 1,5	9 – 13	10	22	22	37	100
GMS Ex M25L	7016657	6418074092199	M25 x 1,5	11 – 16	11	27	27	40,5	50
GMS Ex M32L	7016658	6418074092205	M32 x 1,5	14 – 21	13	34	34	43	25
GMS Ex M40L	7016659	6418074092212	M40 x 1,5	19 – 16	13	43	43	46	10
GMS Ex M50L	7016660	6418074092229	M50 x 1,5	24 – 35	14	55	55	52,5	5
GMS Ex M63RL	7016661	6418074092236	M63 x 1,5	32 – 42	14	65	65	58,5	5
GMS Ex M63L	7016662	6418074092243	M63 x 1,5	38 – 48	14	65	65	58,5	5

Ex screw plug, metal

GSM ExM

Metric thread



Technical details

Screw plug Brass CuZn39Pb3, nickel-plated
 O-ring Nitrile rubber
 Connecting thread metric, as per EN 60423

Properties

- For secure sealing of unused threaded or clearance hole

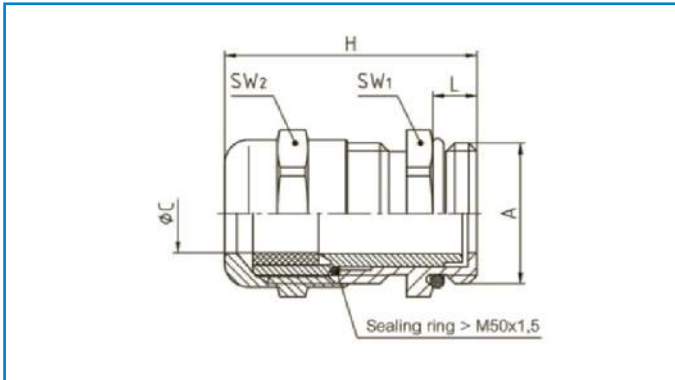
Equipment group II
 Category / Zone 2G, 2D and 3G/ 1, 2, 21, 22
 Type of protection Ex e, increased safety
 Ex tD A21 – Protection by enclosures
 Temperature range -30...+80 °C
 Protection grade IP68
 Test standard EN 60079-0 / EN 60079-7
 EN 61241-0 / EN 61241-1

Order symbol	Code	EAN	A	L mm	H mm	Da mm	Pack
GSM Ex M12 slot	7016670	6418074092250	M12 x 1,5	5	8	16	100
GSM Ex M16 slot	7016671	6418074092267	M16 x 1,5	6	9	20	100
GSM Ex M20 slot	7016672	6418074092274	M20 x 1,5	6,5	9,5	24	100
GSM Ex M25 slot	7016673	6418074092281	M25 x 1,5	7	11	28	100
GSM Ex M32 slot	7016674	6418074092298	M32 x 1,5	8	12	35	50
GSM Ex M40 slot	7016675	6418074092304	M40 x 1,5	8	12	45	50
GSM Ex M50 slot	7016676	6418074092311	M50 x 1,5	9	15	55	25
GSM Ex M63 slot	7016677	6418074092328	M63 x 1,5	10	16	68	10

Ex EMC cable gland

GMS Ex EMC M

Metric thread



Technical details

Dome nut	Brass CuZn39Pb3, nickel-plated
Dust cap	Polyethylene PE-LD
Lamellar insert	Polyamide PA6 V-2
Sealing ring	Polychloroprene-Nitrile rubber CR/NBR
Gland body	Brass CuZn39Pb3, nickel-plated
O-ring	Nitrile rubber
Connecting thread	metric, as per EN 60423

Properties

- For cables with shielding
- Integrated anchorage
- Wide sealing and clamping range

Equipment group	II
Category / Zone	2G, 2D and 3G/ 1, 2, 21, 22
Type of protection	Ex e, increased safety Ex tD A21 – Protection by enclosures
Cable installation	fixed
Temperature range	-20 +80
Protection grade	IP68 5 bar
Test standard	EN 60079-0 / EN 60079-7 EN 61241-0 / EN 61241-1

Order symbol	Code	EAN	A	øC mm	L mm	SW1 mm	SW2 mm	H mm	Pack
GMS Ex EMC M12	7016910	6418074093592	M12 x 1,5	3 – 6	5	14	14	25	100
GMS Ex EMC M16	7016911	6418074093608	M16 x 1,5	5 – 9	5	17	17	29	100
GMS Ex EMC M20	7016912	6418074093615	M20 x 1,5	6 – 12	6	22	22	33	100
GMS Ex EMC M25	7016913	6418074093622	M25 x 1,5	11 – 16	7	22	22	31	50
GMS Ex EMC M32	7016914	6418074093639	M32 x 1,5	14 – 21	8	34	34	38	25
GMS Ex EMC M40	7016915	6418074093646	M40 x 1,5	19 – 27	8	43	43	41	10
GMS Ex EMC M50	7016916	6418074093653	M50 x 1,5	24 – 35	9	55	55	47,5	5
GMS Ex EMC M63	7016917	6418074093660	M63 x 1,5	32 – 42	10	65	65	54,5	5

VENTING ELEMENT

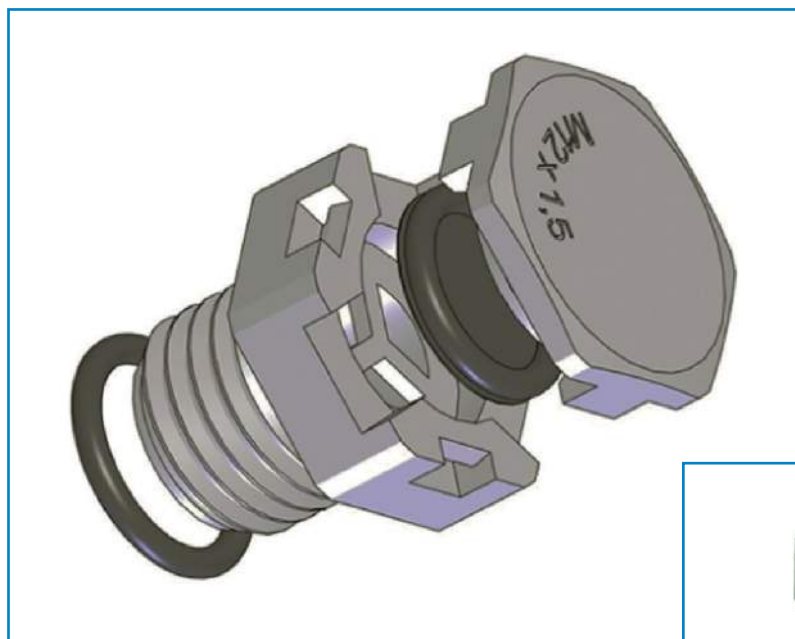
Application

Waterproof enclosures with high protection grades for outdoor use are not automatically sealed against vapour and humid air. To avoid negative pressure, high humidity and condensation inside the enclosure a continuous ventilation and pressure equilibrium is necessary.

This protectional function can be achieved by using a venting element, quick and easy to install.

The body of the venting element is made from a flameproof polyamide. Inside is a high-quality, breathable and watertight membrane, which provides a continuous pressure exchange and ventilation between the enclosure and its surroundings and ensures protection against humidity. The high level of water intrusion point of the membrane enables the high protection grade of IP66, IP67 and IP69K.

The achieved air flow ventilation of the membrane was determined by flow control measuring.



Ventilation test setup

A mass flow control and a pressure gauge are coupled consecutively and the venting element is connected with the measuring system via a thread adapter.

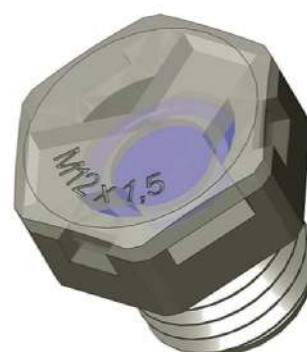
In the following air is being admitted. The flow rate has been set up for all measuring points so that the desired primary pressure is being applied to the test object.

The achieved flow measurement data has been converted to standardised conditions.



Pressure calibration and measuring data converted to standardised conditions.

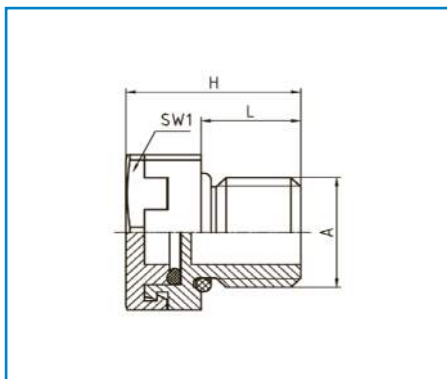
Absolute pressure bar(a)	Overpressure bar(g)	Airflow (average) l/min
1,0036	0	0
1,0536	0,05	0,3
1,0736	0,07	0,45
1,1036	0,1	0,66
1,2036	0,2	1,4
1,3036	0,3	2,2
1,4036	0,4	3
1,5036	0,5	3,9
1,6036	0,6	4,8
1,7036	0,7	5,7
1,8036	0,8	6,7
1,9036	0,9	7,8
2,0036	1	8,9



Venting element

GVPPA M/ML

Metric thread



Technical details

Body Polyamide PA6 V-0
 Membrane Polyether sulphone PES
 O-ring Nitrile rubber NBR
 Connecting thread metric as per EN 60423

GVPPA M/ML

Properties

- Protection for hermetically sealed electro-technical and electronic enclosures against condensation water from alternating temperature and pressure
- Continuous ventilation and adaption of the inner pressure
- Hydrophobic and oleophobic PES-membrane

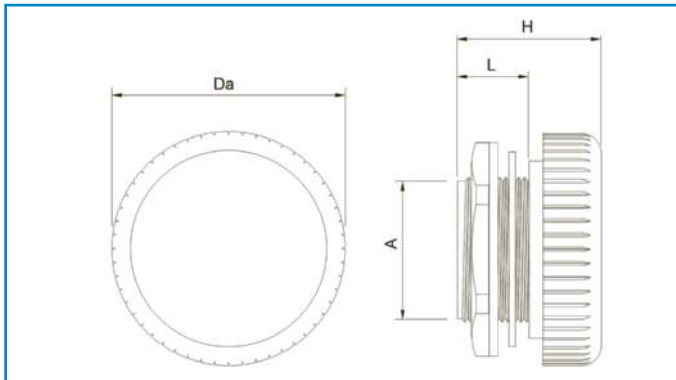
Typical air flow 90 – 130 ml/min/cm² at p = 0,01 bar
 Water entry pressure > 1 bar
 Temperature range -40...+100 °C
 Protection grade IP66 / IP67 / IP69K

Order symbol	Code	EAN	A	L mm	SW1 mm	H mm	Pack
RAL 7035: Connecting thread: short							
GVPPA M12	7016702	6418074091314	M12 x 1,5	6	17	13,8	100
RAL 7035: Connecting thread: standard length							
GVPPA M12L	7016700	6418074091291	M12 x 1,5	10	17	17,8	100
RAL 9005: Connecting thread: standard length							
GVPPA M12L 9005	7016701	6418074091307	M12 x 1,5	10	17	17,8	100

Venting element

GVPPA M/ML

Metric thread



Technical details

Body PA6
Sealing Nitrile rubber NBR
Membrane PA6.6

Properties

Temperature range -35 to +70 °C
Protection grade IP66 / IPX9K
Air permeability 1200 l/h at a pressure difference of min.70 mbar

Order symbol	Code	EAN	A	L mm	Da mm	H mm	Pack
Light grey							
GVPPA M40 SET	8818223	6418074012197	M40 x 1,5	18	60	37	2

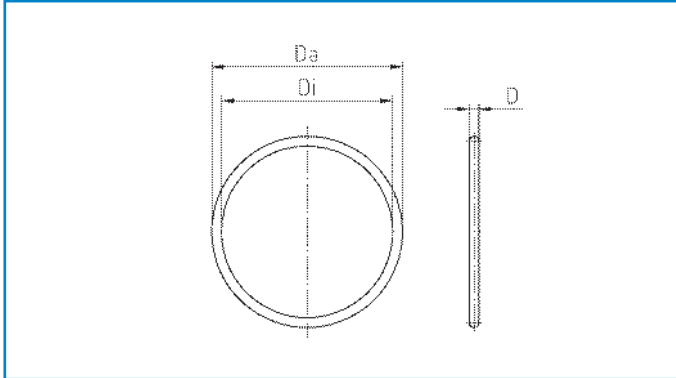
Technical details

Body PA66
Sealing Nitrile rubber NBR
Membrane PA6.6

Properties

- Weather proof and UV light resistant according to UL746C (f1)
Temperature range -35 to +70 °C
Protection grade IP66 / IPX9K
Air permeability 1200 l/h at a pressure difference of min.70 mbar

Order symbol	Code	EAN	A	L mm	Da mm	H mm	Pack
Light grey							
GVPPA M40 UL SET	9801129	6418074305077	M40 x 1,5	18	60	37	2



Technical details

O-ring

Nitrile rubber NBR

Properties

- For improved sealing on the connecting thread

Temperature range

-30...+100 °C

Comment

higher protection grade possible
if assembled with o-ring

Order symbol	Code	EAN	A	D mm	Da mm	Di mm
GOR M12 O-Ring	7016507	6418074056078	M12	1,5	12	9
GOR M16 O-Ring	7016508	6418074056085	M16	1,5	16	12
GOR M20 O-Ring	7016509	6418074056092	M20	1,5	21	18
GOR M25 O-Ring	7016510	6418074056108	M25	2	25	21
GOR M32 O-Ring	7016511	6418074056115	M32	2,5	34	29
GOR M40 O-Ring	7016512	6418074056122	M40	2	41	37
GOR M50 O-Ring	7016513	6418074056139	M50	2,5	52	47
GOR M63 O-Ring	7016514	6418074056146	M63	3	66	60

Technical details

O-ring

Nitrile rubber NBR

Properties

- For improved sealing on the connecting thread

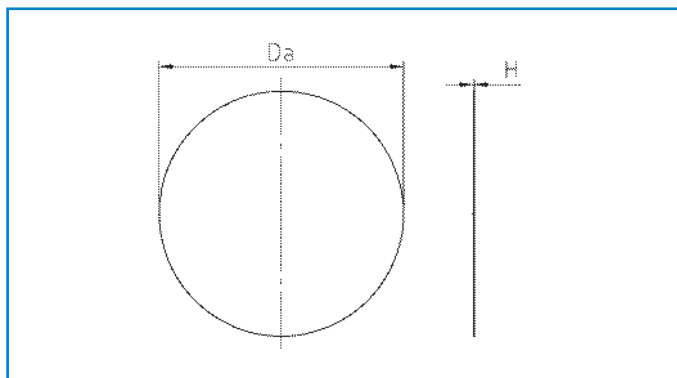
Temperature range

-30...+100 °C

Comment

assembled o-ring enables higher
protection grades

Order symbol	Code	EAN	A	D mm	Da mm	Di mm
GOR PG7 O-Ring	7016497	6418074055972	Pg 7	1,5	13	10
GOR PG9 O-Ring	7016498	6418074055989	Pg 9	2	17	13
GOR PG11 O-Ring	7016499	6418074055996	Pg 11	2	20	16
GOR PG13.5 O-Ring	7016500	6418074056009	Pg 13,5	2	22	18
GOR PG16 O-Ring	7016501	6418074056016	Pg 16	2	24	20
GOR PG21 O-Ring	7016502	6418074056023	Pg 21	2	28	24
GOR PG29 O-Ring	7016503	6418074056030	Pg 29	2	37	33
GOR PG36 O-Ring	7016504	6418074056047	Pg 36	2,5	47	42
GOR PG42 O-Ring	7016505	6418074056054	Pg 42	2,5	53	48
GOR PG48 O-Ring	7016506	6418074056061	Pg 48	3	60	54



Technical details

Dust cap
Sold as single piece

Polyethylene PE-LD

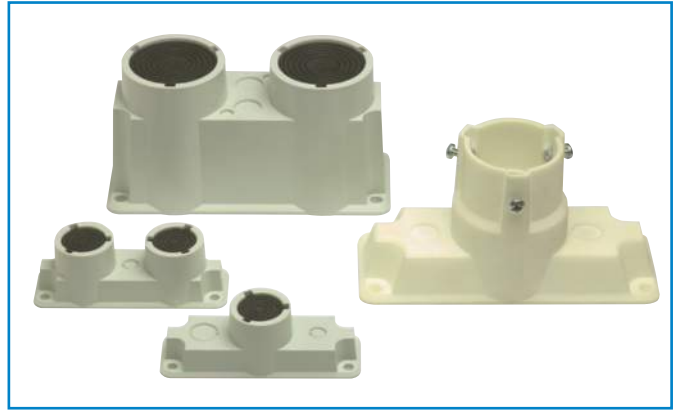
Properties

- Applicable as dust protection for cable glands during transport or storage

Temperature range -30...+90 °C

Order symbol	Code	EAN	Size	H mm	Da mm
GDC M12	7016489	6418074055897	M12	0,25	10
GDC M16	7016490	6418074055903	M16	0,25	15,5
GDC M20	7016491	6418074055910	M20	0,25	18,5
GDC M25	7016492	6418074055927	M25	0,25	23
GDC M32	7016493	6418074055934	M32	0,5	29
GDC M40/PG29	7016485	6418074055859	M40/PG29	0,5	35
GDC M50/PG36	7016486	6418074055866	M50/PG36	0,5	45
GDC M63/PG48	7016488	6418074055880	M63/PG48	0,5	57
GDC PG7	7016479	6418074055798	Pg 7	0,5	10,5
GDC PG9	7016480	6418074055804	Pg 9	0,5	13,5
GDC PG11	7016481	6418074055811	Pg 11	0,5	16,5
GDC PG13.5	7016482	6418074055828	Pg 13,5	0,5	18,5
GDC PG16	7016483	6418074055835	Pg 16	0,5	20,5
GDC PG21	7016484	6418074055842	Pg 21	0,5	26
GDC PG42	7016487	6418074055873	Pg 42	0,5	52

CABLE ENTRY SYSTEMS

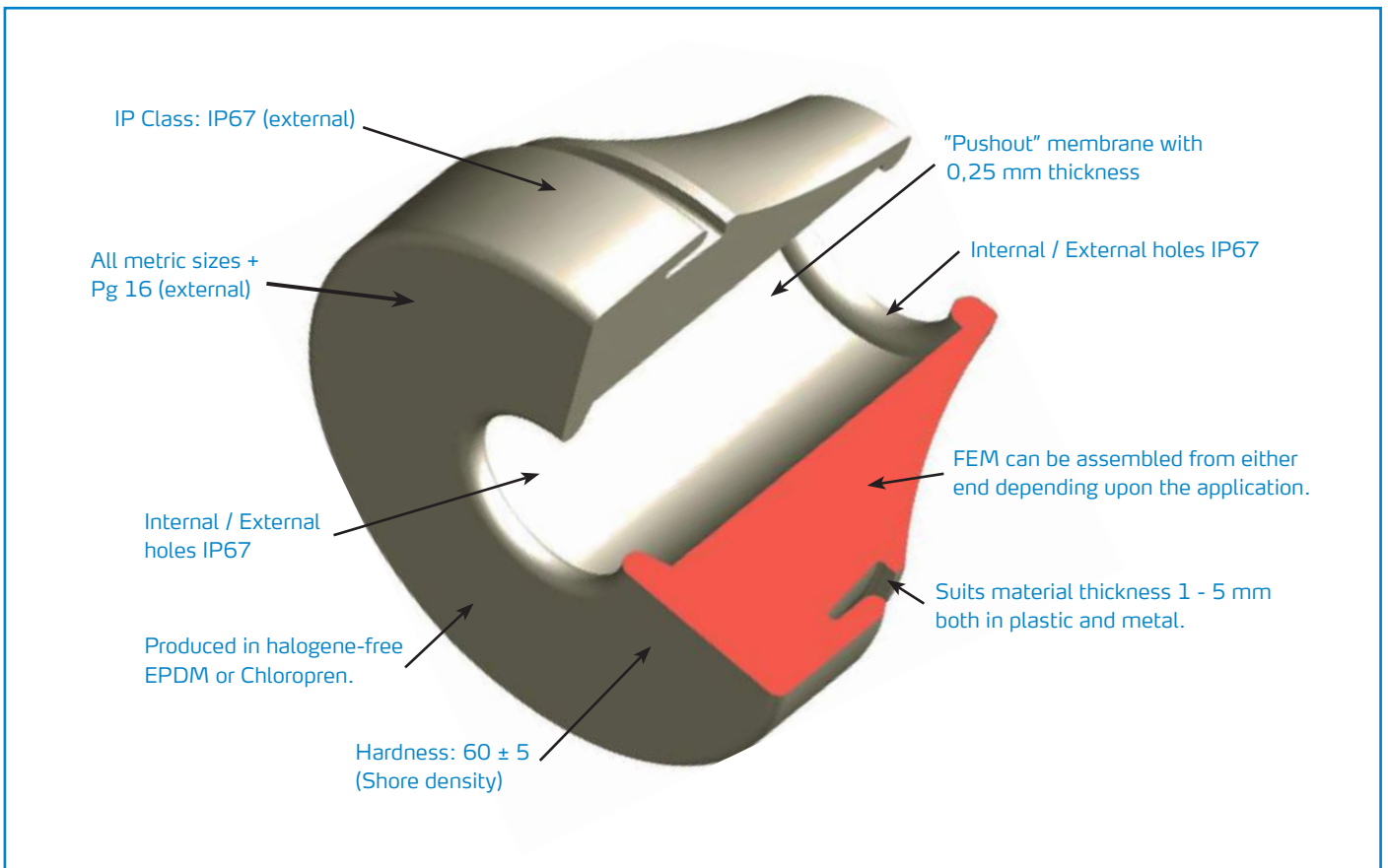


MEMBRANE CABLE GLANDS

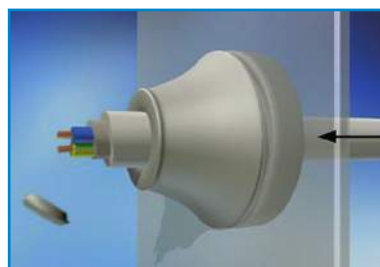
FIBOX FEM membranes

FIBOX FEM membranes are very simple to use and demand no tools, which in turn means lower work cost. The assembly requires no screwdriver or scissors to make the hole, which otherwise would endanger the IP-class seal. FEM membranes are tested for IP67 internally and externally.

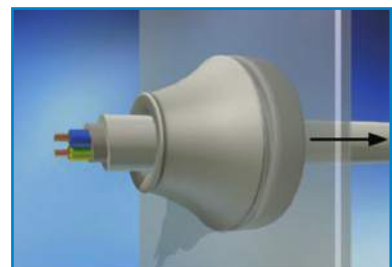
Two material versions are available: EPDM and Chloroprene. FEM membranes have a very high finish and the automatic method of production guarantees the same even and high quality on all products.



Push the grommet into the hole.



Pierce the grommet with the cable.

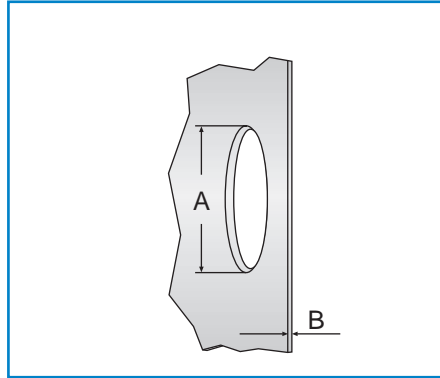
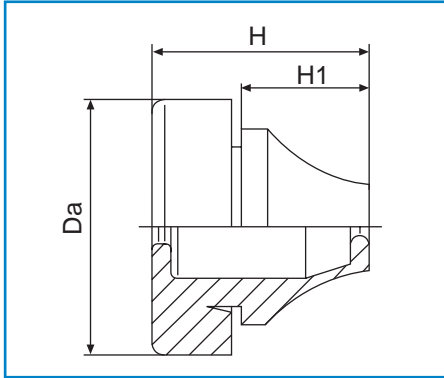


The grommet is then locked in position by pulling it back.

Membrane cable gland

FEM/FEM-C/MFM

Metric/Pg 16



Technical Properties

Material	EPDM
Protection class	IP67 acc. to EN 60529
Temperature range	-40 °C...+110 °C*
Test standard	EN60670-1:2005, EN60529: 1991+A1

* Unstressed material.

Properties

- Suitable for holes in materials of 1 – 5 mm thickness.
- Easy assembly without tools
- Outstanding heat, ozone and weather resistance

Order symbol	Code	EAN	Size	øC mm	A mm	B mm	Da mm	H mm	H1 mm	Pack
RAL 7035 (EPDM)										
FEM 4-7	3545078	6418074035417	M12	4 – 7	12,5	0,5 – 2	20	12,7	5,4	50
FEM 4-7 L	3545278	6418074070449	M12	4 – 7	12,5	2 – 5	20	12,7	5,4	50
FEM 5-9	3545079	6418074035424	M16	5 – 9	16,5	1 – 4	21	18	10,5	50
FEM 5-9 L	3545279	6418074070456	M16	5 – 9	16,5	2 – 5	21	18	10,5	50
FEM 8-13	3545080	6418074035448	M20	8 – 13	20,5	1 – 4	25,5	20	12,7	50
FEM 10-14/PG 16	3545081	6418074035455	M23/PG16	10 – 14	23	1 – 4	28	21,6	14,7	50
FEM 11-17	3545082	6418074035462	M25	11 – 17	25,5	1 – 4	30,5	21,6	14,5	50
FEM 15-20	3545083	6418074035479	M32	15 – 20	32,5	1 – 4	38,5	24,8	17,5	25
FEM 19-28	3545084	6418074035486	M40	19 – 28	40,5	1 – 4	48,5	30	20,4	25
FEM 27-35	3545085	6418074035530	M50	27 – 35	50,5	1 – 4	60,5	35	23,9	10
FEM 34-45	3545103	6418074070852	M63	34 – 45	63,5	1 – 4	73,5	40,0	28,9	5
MFM 8-12	3546151	6418074036803	M50	3x6 – 10 3x10 – 14	50,5	2 – 6	58	20	9	1

Technical Properties

Material	Chloroprene
Protection class	IP67 acc. to EN 60529
Temperature range	-30 °C...+100 °C*
Test standard	EN60670-1:2005, EN60529: 1991+A1

* Unstressed material.

Properties

- Suitable for holes in materials of 1 – 5 mm thickness.
- Comply with 'Det Norske Veritas' rules for Classification of Ships, High Speed & Light Craft and 'Det Norske Veritas' Offshore Standards
- Quick and simple assembly without the use of tools
- Resistant to chemicals
- Outstanding heat, ozone and weather resistance

Order symbol	Code	EAN	Size	øC mm	A mm	B mm	Da mm	H mm	H1 mm	Pack
RAL 9005 (CR)										
FEM-C 4-7	3545088	6418074035561	M12	4 – 7	12,5	0,5 – 2	20	12,7	5,4	50
FEM-C 4-7 L	3545288	6418074070463	M12	4 – 7	12,5	2 – 5	20	12,7	5,4	50
FEM-C 5-9	3545089	6418074035578	M16	5 – 9	16,5	1 – 4	21	18	10,5	50
FEM-C 5-9 L	3545289	6418074070579	M16	5 – 9	16,5	2 – 5	21	18	10,5	50
FEM-C 8-13	3545090	6418074035585	M20	8 – 13	20,5	1 – 4	25,5	20	12,7	50
FEM-C 10-14/PG 16	3545091	6418074035592	M23/PG16	10 – 14	23	1 – 4	28	21,6	14,7	50
FEM-C 11-17	3545092	6418074035608	M25	11 – 17	25,5	1 – 4	30,5	21,6	14,5	50
FEM-C 15-20	3545093	6418074035615	M32	15 – 20	32,5	1 – 4	38,5	24,8	17,5	25
FEM-C 19-28	3545094	6418074035622	M40	19 – 28	40,5	1 – 4	48,5	30	20,4	25
FEM C 27-35	3545095	6418074035639	M50	27 – 35	50,5	1 – 4	60,5	35	23,9	10
FEM-C 34-45	3545104	6418074070869	M63	34 – 45	63,5	1 – 4	73,5	40,0	28,9	5

Membrane cable glands

FIBOX FEM SL

The FEM SL is the latest addition to the FIBOX FEM membrane range.

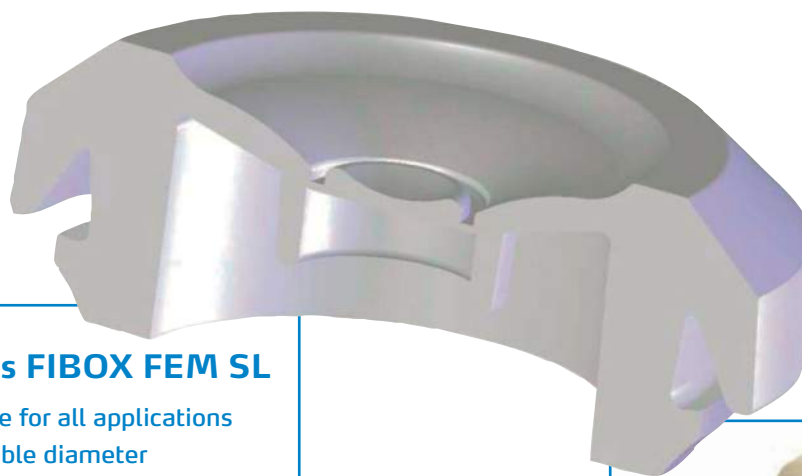
What makes the FEM SL different from existing products on the market are the built-in features that you do not find in this otherwise relatively simple product.

FEM SL handles an exceptionally large cable span. It is the only "simple" grommet manufactured in a rubber-like material, and the only TPE-based end-plug. With the "pushout" membrane you always have a round opening and are guaranteed to have IP67.

The FEM SL is equipped with a sock that closes tight around the cable and allows for it to be moved around like a "joy-stick" in the opening without endangering the IP-classification. So it works extremely well with cables passing through at an angle.

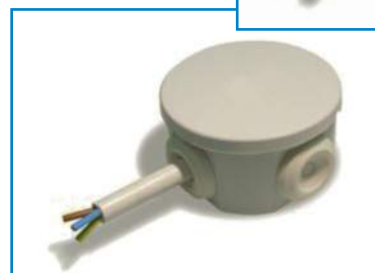
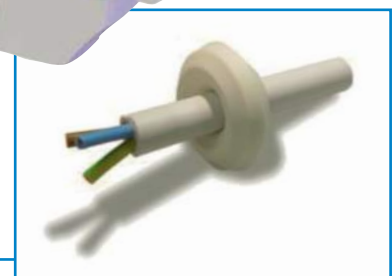
The design makes sure that the membrane stays in place, even when large cables are installed.

These are some of the features that creates a lot of value added in the FEM SL, and makes it a unique product.



Product features FIBOX FEM SL

- End-plug/membrane for all applications
- Self-adjusting to cable diameter
- Significant timesaving
- IP67 = Waterproof
- Secure installation in opening
- Easy and fast installation
- "Joy-stick" effect thanks to built-in sock
- Not for temporary use
- "Pushout" membrane
- Temperature range -50 °C....+125 °C
- Suits material thickness 0,5 – 4,5 mm
- Handles exceptionally large cables span 5 – 24 mm
- Ergonomic installation



Push the grommet into the hole.



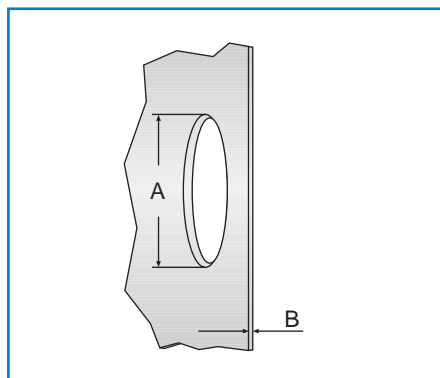
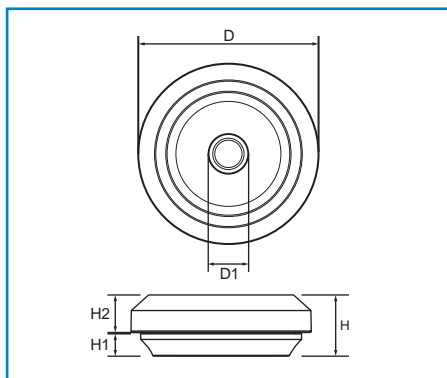
Pierce the grommet with the cable.



Membrane cable gland

FEM SL

Metric thread



Properties

Material

TPE – Thermoplastic Elastomer -
Halogen Free.

Mode of protection

UL approved material

Temperature range

IP67

Test standard

-50 °C...+125 °C

EN60529:1991+A1,

EMKO-TUI (03-SEC) F1001/84

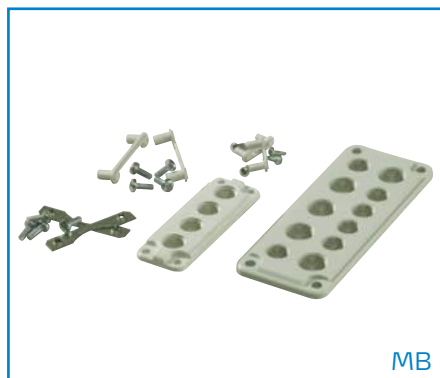
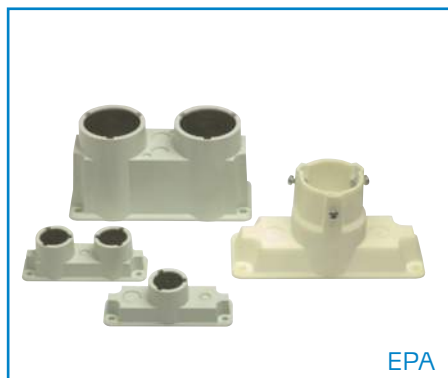
Quick and simple assembly without the use of tools

Handles exceptionally large cable span

An end-plug for all applications

Order symbol	Code	EAN	Size	øC mm	A mm	B mm	D* mm	D1 mm	H mm	H1 mm	H2* mm	Pac
RAL 7035												
FEM SL 5-10	3545224	6418074004925	M16	5 – 10	16,5	0,5 – 3	23,5	4	11	4	6,75	50
FEM SL 6-13	3545225	6418074004932	M20	6 – 13	20,5	0,5 – 3	27,5	5	11	4	6,75	50
FEM SL 8-17	3545228	6418074049278	M25	8 – 17	25,5	0,5 – 3,5	32,5	7	11	4	6,75	50
FEM SL 12-24	3545229	6418074049285	M32	12 – 24	32,5	0,5 – 4,5	39,5	11	11	4	6,75	25
RAL 9005												
FEM SL 5-10 9005	3545226	6418074004987	M16	5 – 10	16,5	0,5 – 3	23,5	4	11	4	6,75	50
FEM SL 6-13 9005	3545227	6418074004994	M20	6 – 13	20,5	0,5 – 3	27,5	5	11	4	6,75	50
FEM SL 8-17 9005	3545230	6418074049292	M25	8 – 17	25,5	0,5 – 3,5	32,5	7	11	4	6,75	50
FEM SL 12-24 9005	3545231	6418074049308	M32	12 – 24	32,5	0,5 – 4,5	39,5	11	11	4	6,75	25

Cable entry plates and entry sets



Properties

Material	Polycarbonate (PC); Membrane TPE RAL 7035
Flame resistance	UL 94-V1 (PC) UL 94HB (TPE)

Order symbol	Code	EAN	Size	Description
Metric flange plates				
MB 10860	3530860	6418074052124	85x216	Metric flange plate, size 2 5xM25+6xM20, PUR gasket, IP 65
MB 10861	3530861	6418074052131	85x216	Metric flange plate, size 2 2xM50+4xM20, PUR gasket, IP 65
MB 10862	3530862	6418074052148	85x216	Metric flange plate, size 2 2xM16+3xM20+2xM25+2xM32, PUR gasket, IP 65
Membrane flange plates				
FMC 3F	3550795	6418074056528	85x217	Membrane flange plate, size 2 Lead-through 7 (3-55 mm), IP 65
FMC 25F	3550796	6418074056535	85x217	Membrane flange plate, size 2 Lead-through 29 (3-26 mm) Optional RJ-45 lead-through, IP 65
FMC 35F	3550797	6418074056542	85x217	Membrane flange plate, size 2 Lead-through 43 (3-30 mm) Optional RJ-45 lead-through, IP 65
Cable entry sets				
EPA 1130 SET	3550055	6418074033130		Cable entry set, size 1 1 cable, 1x10-31 mm
EPA 1230 SET	3550049	6418074033154		Cable entry set, size 1 2 cable, 2x10-31 mm
EPA 2160 SET	3550056	6418074033147		Cable entry set, size 2 1 cable, 1x28-60 mm
EPA 2260 SET	3550052	6418074033161		Cable entry set, size 2 2 cables, 2x28-60 mm
Accessories				
MB 10346	3570346	6418074031204		Plastic head screw (M8x25) for size 2 flange
M-8	3570577	6418074031389		Lock nut for plastic head screws M8
MB 10670	3570670	6418074030788		Connector set, size 2; incl. 4 screws

Fibox customer service

Fibox Oy Ab

Keilaranta 19, 02150 Espoo, FINLAND
Tel: +358 207 785 700, Fax: +358 207 785 702
E-mail: info@fibox.fi

Fibox AB

Enhagsslingan 3, S-187 40 Täby, SWEDEN
Tel: +46 8 792 2670, Fax: +46 8 792 0164
E-mail: info@fibox.se

Fibox A/S

Kuldysen 13, DK-2630 Tåstrup, DENMARK
Tel: +45 4371 8055, Fax: +45 4371 8035
E-mail: fibox@fibox.dk

Fibox Limited

Suite 25, Durham Tees Valley Business Centre,
Primrose Hill Industrial Estate, Orde Wingate Way,
Stockton on Tees, TS19 0GD, ENGLAND
Tel: +44 1642 604 400, Fax: +44 1642 604 600
E-mail: sales@fibox.co.uk

Fibox France Sarl

Neptune II
35 bis, av. Saint Germain des Noyers
F-77400 Saint Thibault des Vignes
Tel: (+33) 1 60 21 17 17, Fax: (+33) 1 60 21 17 18
E-mail service.client@fibox.fr

Fibox GmbH

Rehwinkel 30, D-32457 Porta Westfalica, GERMANY
Tel: +49 (0)5731 86946 0, Fax: +49 (0)5731 86946 50
E-mail: info@fibox.de

Fibox LLC

Office B 21,
54 B Shpalernaya st.
St. Petersburg
191015 Russia
Tel: +7 911-02-02-102

Fibox New Delhi Office

A-26/4, Mohan Co-operative Industrial Estate, Mathura Road, New Delhi
110044, INDIA
Tel: (+91) 11 40528297, 40528298
Fax: (+91) 11 40512481, Mobile: (+91) 9899911574
E-mail: tyronne.cubbins@fibox.co.in

FIBOX Japan Office

Zip# 542-0081 303, Daiwa building, 2-4-19, Minamisenba, Chuo-Ku,
Osaka, JAPAN
Tel: (+81) 6 4963 3752, Fax: (+81) 6 4963 3762
Mobile: (+81) 90 2705 6742
E-mail: m.takeda@fibox.co.jp

Fibox Benelux

Postbus 350, NL-7570 AJ OLDENZAAL, THE NETHERLANDS
Tel: +31 (0) 541 539039, Fax: +31 (0) 541 533399
E-mail: info@fibox.nl

Fibox (Schweiz) GmbH

Wissenschwändi 6
6314 Unterägeri, SWITZERLAND
Tel: 055 617 20 80, Fax: 055 617 20 89
E-mail: info@fibox.ch

Fibox Sp. z o.o.

ul. Dzieciota 19, 04-988 Warszawa, POLAND
Tel: +48 22 256 57 99, Fax: +48 22 256 57 90
E-mail: info@fibox.pl

Fibox Inc.

810 Cromwell Park Drive Suite R, Glen Burnie, MD 21061 USA
Tel: +1 410 760 9696, Fax: +1 410 760 8686
E-mail: sales@fiboxusa.com

Fibox Shanghai Ltd

Room 401 - 402 , Building 3,
NO. 188 xinjunhuan Rd,
Pujiang high-tech Park Caohejing
Development Zone,
Shanghai 201114, China
Tel: (+86) 21 6495 9922, Fax: (+86) 21 6495 9667
E-mail: info@fibox.cn

Fibox (Guangzhou) Engineering Plastic Co., Ltd

No.36 Dong-Peng-Da-Dao, Fibox Road
Guangzhou Economic & Technological Development District, 510530 Guang-
zhou, Guangdong, P.R.CHINA
Tel: +86 20 3206 7660, Fax: +86 20 3206 7661

Fibox Ltd (Korea)

11-25, Songdo-dong
Yeonsu-gu, Incheon,
Republic of Korea
Tel: +82 32 814 6742, Fax: +82 32 814 6077
E-mail: sales@fibox.co.kr

Fibox Ltd (Korea)

Pusan Office, 562-54, Gwai-Bup, Sa-Sang
Pusan, REPUBLIC OF KOREA
Tel: +82 51 317 8500, Fax: +82 51 314 5533

Fibox production

Fibox Oy Ab

Rajasilta 6, FI-33880 Lempäälä, FINLAND
Tel: +358 207 785 700 number, Fax: +358 207 785 801

Fibox Tested Systems Oy

Hovinpelto 2, FI-74700 Kiuruvesi, FINLAND
Tel: +358 207 785 700, Fax: +358 207 785 851

Fibox Sp. z o.o.

ul. Dzieciota 19, 04-988 Warszawa, POLAND
Tel: +48 22 256 57 99, Fax: +48 22 872 96 98
E-mail: info@fibox.pl

Fibox India Private Limited

Gat no-147, A II & III, Chakan Talegaon Road
Near Rinder Automation, A/p- Mahalunge,
Tal-Khed, Dist- Pune, Maharashtra, India.- 410501
Tel: +91 02135 - 666777, Fax: +91 02135 - 666789
Email- info@fibox.co.in

Fibox Inc.

810 Cromwell Park Drive Suite R, Glen Burnie, MD 21061 USA
Tel: +1 410 760 9696, Fax: +1 410 760 8686
E-mail: sales@fiboxusa.com

Fibox Shanghai Ltd

Room 401 - 402 , Building 3,
NO. 188 xinjunhuan Rd,
Pujiang high-tech Park Caohejing
Development Zone,
Shanghai 201114, China
Tel: (+86) 21 6495 9922, Fax: (+86) 21 6495 9667
E-mail: info@fibox.cn

Fibox Ltd (Korea)

11-25, Songdo-dong
Yeonsu-gu, Incheon,
Republic of Korea
Tel: +82 32 814 6742, Fax: +82 32 814 6077
E-mail: sales@fibox.co.kr

Fibox (Guangzhou) Engineering Plastic Co., Ltd

No.36 Dong-Peng-Da-Dao, Fibox Road
Guangzhou Economic & Technological Development District,
510530 Guangzhou, Guangdong, P.R.CHINA
Tel: +86 20 3206 7660, Fax: +86 20 3206 7661

Fibox GmbH

Rehwinkel 30, D-32457 Porta Westfalica, GERMANY
Tel: +49 (0)5731 86946 0, Fax: +49 (0)5731 86946 50
E-Mail: info@fibox.de

www.fibox.com

Fibox Oy Ab
Keilaranta 19
02150 Espoo
Finland

Tel: +358 207 785 700
Fax: +358 207 785 702
E-mail: info@fibox.fi

Code 9637210

