

Aluminum Single Point Load Cell



FEATURES

- Capacities 3 - 90kg
- Aluminum construction
- Single point 400 x 400mm platform
- NTEP approved
- IP65 protection
- Available with metric and UNC threads

OPTIONAL FEATURES

- EEx ia IIC T4 hazardous area approval
- FM approval available
- IP67 available

DESCRIPTION

Model 1010 is a single point load cell designed for direct mounting of low cost, low capacity weighing platforms.

Its use in large platforms, combined with its high accuracy and low cost, makes this load cell ideally suited for a large range of weighing applications, including bench scales and counting scales.

A special humidity resistant protective coating is available which ensures long-term reliability. For hazardous envi-

ronments this load cell has EEx ia IIC T4 level approved option.

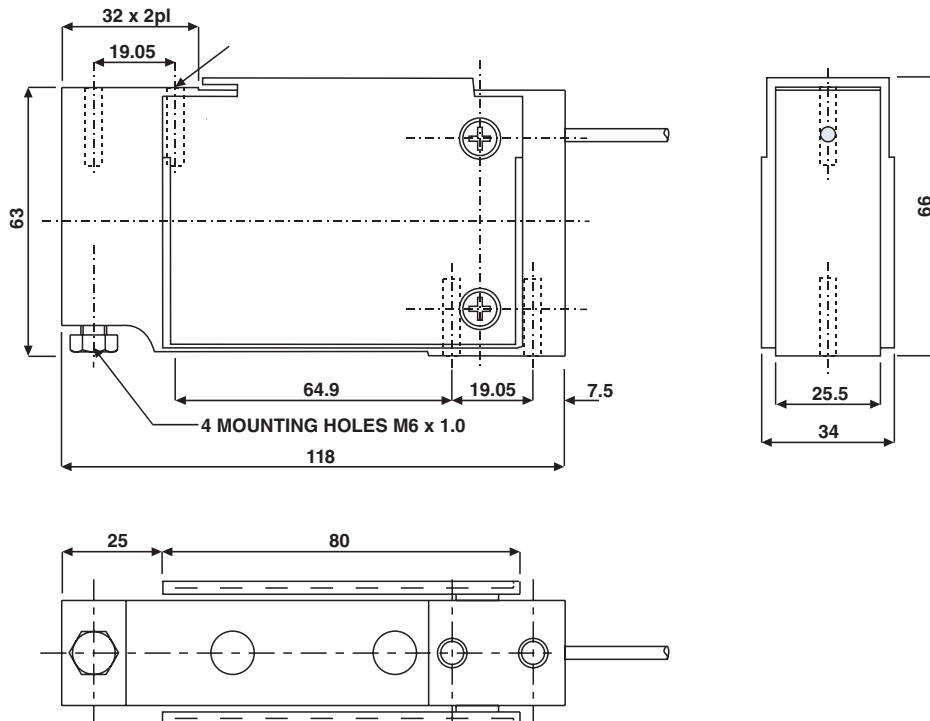
Model 1010's built-in overload stop can provide mechanical protection against overloading.

The two additional sense wires feed back the voltage reaching the load cell. Complete compensation of changes in lead resistance due to temperature change and/or cable extension is achieved by feeding this voltage into the appropriate electronics.

APPLICATIONS

- Bench scales
- Counting scales
- Grocery scales

OUTLINE DIMENSIONS in millimeters



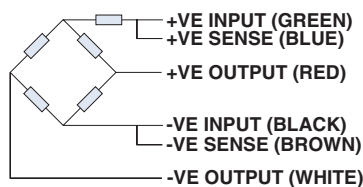
SPECIFICATIONS

PARAMETER	VALUE*		UNIT
Rated capacity-R.C. (E_{max})	3, 5, 7, 10, 15, 20, 30, 50, 90		kg
NTEP/OIML Accuracy class	NTEP	Non-Approved	
Maximum no. of intervals (n)	5000 single	3000	
$Y = E_{max}/V_{min}$	10000	10000	Maximum available
Rated output-R.O.	2.0		mV/V
Rated output tolerance	0.2		\pm mV/V
Zero balance	0.2		+mV/V
Zero Return, 30 min.	0.0330	0.0170	\pm % of applied load
Total Error (per OIML R60)	0.0200	0.0200	\pm % of rated output
Temperature effect on zero	0.0023	0.004	\pm % of rated output/ $^{\circ}$ C
Temperature effect on output	0.001	0.0010	\pm % of applied load/ $^{\circ}$ C
Eccentric loading error	0.0057	0.0074	\pm % of rated load/cm
Temperature range, compensated	-10 to +40		$^{\circ}$ C
Temperature range, safe	-20 to +70		$^{\circ}$ C
Maximum safe central overload	150		% of R.C.
Ultimate central overload	300		% of R.C.
Excitation, recommended	10		Vdc or Vac rms
Excitation, maximum	15		Vdc or Vac rms
Input impedance	415 \pm 15		Ohms
Output impedance	350 \pm 3		Ohms
Insulation resistance	>2000		Mega-Ohms
Cable length	1.0		m
Cable type	6 wire, PVC, single floating screen		Standard
Construction	Plated (Anodize) aluminum		
Environmental protection	IP65**		
Platform size (max)	400 x 400		mm
Recommended torque	Up to 30kg: 7.0 50kg & up: 10.0		N-m

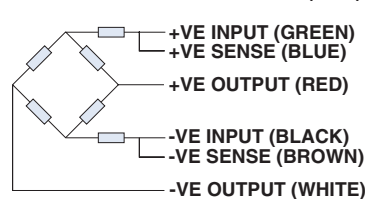
* 1010 is non-balanced load cell (Non-balanced Bridge), 1015 is balanced

** IP67 available upon request

WIRING SCHEMATIC DIAGRAM (1010)
(unbalanced bridge configuration)



WIRING SCHEMATIC DIAGRAM (1015)



BALANCED TEMPERATURE COMPENSATION

VISHAY TRANSDUCERS (VT) SALES OFFICES

VT Americas
City of Industry, CA
PH: +1-626-858-8899
FAX: +1-626-332-3418
vt.us@vishaymg.com

VMG UK
Basingstoke
PH: +44-125-646-2131
FAX: +44-125-647-1441
vt.uk@vishaymg.com

VMG Germany
Heilbronn
PH: +49-7131-3901-260
FAX: +49-7131-3901-2666
vt.de@vishaymg.com

VMG France
Chartres
PH: +33-2-37-33-31-20
FAX: +33-2-37-33-31-29
vt.fr@vishaymg.com

VT Netherlands
Breda
PH: +31-76-548-0700
FAX: +31-76-541-2854
vt.nl@vishaymg.com

VMG Israel
Netanya
PH: +972-9-863-8888
FAX: +972-9-863-8800
vt.il@vishaymg.com

VT China
Tianjin
PH: +86-22-2835-3503
FAX: +86-22-2835-7261
vt.prc@vishaymg.com

VT Taiwan*
Taipei
PH: +886-2-2696-0168
FAX: +886-2-2696-4965
vt.roc@vishaymg.com
*Asia except China