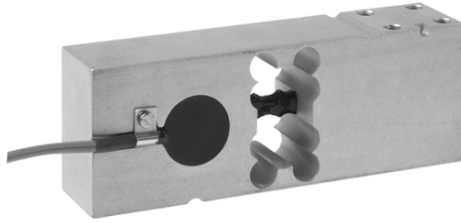


Single Point Load Cell



FEATURES

- Capacity range: 100 to 660kg
- Rigid, anodized aluminum construction
- OIML approved to C6 (150 - 660kg)
- Single point 800 x 800mm platform
- Minimal deflection and high natural frequency
- Sealed to IP66

OPTIONAL FEATURES

- 2G EEx ia IIC T4 - ATEX hazardous area approval
- UNC threads

DESCRIPTION

Model 1265 is an anodized aluminum single point load cell suitable for direct mounting with large platforms, check weighers, and a wide range of other applications.

A unique rigid design allows for low deflection and high natural frequency, making the 1265 suitable for dynamic applications such as Check Weighers.

This load cell supports large platforms up to 800 x 800mm. High accuracy (6000d) is maintained for overall characteristics (OIML R60) and for eccentric loading (OIML R76).

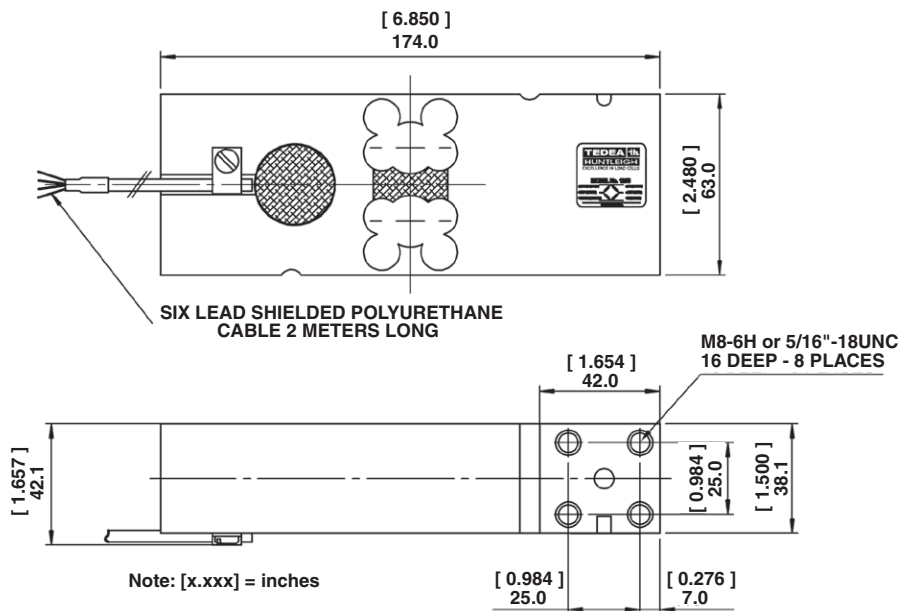
A humidity-resistant protective coating assures stable operation in damp environments over the entire compensated range and conforms to IP66 (IEC 60529).

The six-wire cable includes two sense wires that compensate for changes in lead resistance due to temperature changes and cable extension.

APPLICATIONS

- Platform scales
- Bag fillers
- Check weighers
- Overhead track scales
- Process weighing

OUTLINE DIMENSIONS in mm



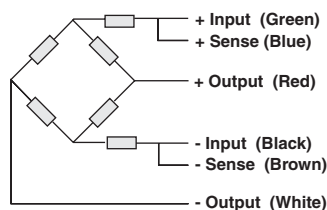
SPECIFICATIONS

PARAMETER	VALUE			UNIT
Rated capacity-R.C. (E_{max})	100, 150, 200, 250, 300, 500, 600, 635, 660			kg
NTEP/OIML Accuracy class	Non-Approved	C3*	C6**	
Maximum no. of intervals (n)	1000	3000	6000	
$Y = E_{max}/V_{min}$	2000	15000	15000	Maximum available
Rated output-R.O.	2.0			mV/V
Rated output tolerance	0.2			±mV/V
Zero balance	0.2			±mV/V
Zero Return, 30 min.	0.0300	0.0170	0.0083	±% of applied load
Total Error	0.0500	0.0200	0.0100	±% of rated output
Temperature effect on zero	0.0100	0.0023	0.0024	±% of rated output/°C
Temperature effect on output	0.0030	0.0010	0.00058	±% of applied load/°C
Eccentric loading error	0.0070	0.0025	0.0012	±% of rated load/cm
Temperature range, compensated	-10 to +40			°C
Temperature range, safe	-30 to +70			°C
Maximum safe central overload	150			% of R.C.
Ultimate central overload	300			% of R.C.
Excitation, recommended	10			Vdc or Vac rms
Excitation, maximum	15			Vdc or Vac rms
Input impedance	415±15			Ohms
Output impedance	350±5			Ohms
Insulation resistance	>2000			Mega-Ohms
Cable length	2			m
Cable type	6 wire, PVC, single floating screen			Standard
Construction	Plated (anodized) aluminum			
Environmental protection	IP66			
Platform size (max)	800 x 800			mm
Recommended torque	Up to 300kg - 25.0 Above 300kg - 30.0			N*m

* 50% utilization

** 60% utilization, and for capacities 150kg and up

Wiring Schematic Diagram
(Balanced bridge temperature compensation)



Disclaimer

ALL PRODUCTS, PRODUCT SPECIFICATIONS AND DATA ARE SUBJECT TO CHANGE WITHOUT NOTICE.

Vishay Precision Group, Inc., its affiliates, agents, and employees, and all persons acting on its or their behalf (collectively, "Vishay Precision Group"), disclaim any and all liability for any errors, inaccuracies or incompleteness contained herein or in any other disclosure relating to any product.

The product specifications do not expand or otherwise modify Vishay Precision Group's terms and conditions of purchase, including but not limited to, the warranty expressed therein.

Vishay Precision Group makes no warranty, representation or guarantee other than as set forth in the terms and conditions of purchase. **To the maximum extent permitted by applicable law, Vishay Precision Group disclaims (i) any and all liability arising out of the application or use of any product, (ii) any and all liability, including without limitation special, consequential or incidental damages, and (iii) any and all implied warranties, including warranties of fitness for particular purpose, non-infringement and merchantability.**

Information provided in datasheets and/or specifications may vary from actual results in different applications and performance may vary over time. Statements regarding the suitability of products for certain types of applications are based on Vishay Precision Group's knowledge of typical requirements that are often placed on Vishay Precision Group products. It is the customer's responsibility to validate that a particular product with the properties described in the product specification is suitable for use in a particular application.

No license, express, implied, or otherwise, to any intellectual property rights is granted by this document, or by any conduct of Vishay Precision Group.

The products shown herein are not designed for use in life-saving or life-sustaining applications unless otherwise expressly indicated. Customers using or selling Vishay Precision Group products not expressly indicated for use in such applications do so entirely at their own risk and agree to fully indemnify Vishay Precision Group for any damages arising or resulting from such use or sale. Please contact authorized Vishay Precision Group personnel to obtain written terms and conditions regarding products designed for such applications.

Product names and markings noted herein may be trademarks of their respective owners.