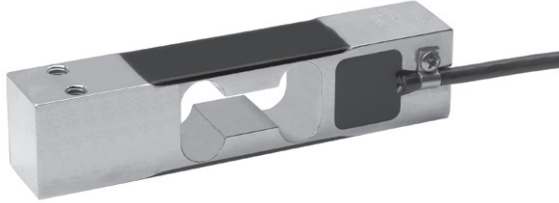


Stainless Steel Single Point Load Cell



DESCRIPTION

Model 1130 is a low profile stainless steel single point load cell ideally designed for direct mounting in bench and platform scales, packaging and process weighing equipment, and is built to perform in harsh environments.

The small physical size, combined with high accuracy and low cost, makes this load cell ideally suited for low profile bench and counting scales. A special humidity resistant protective coating assures long term stability over the entire compensated temperature range.

Constructed in stainless steel this high accuracy load cell is approved to stringent approval standards e.g OIML and NTEP.

The two additional sense wires feed back the voltage reaching the load cell. Complete compensation of changes in lead resistance due to temperature change and/or cable extension, is achieved by feeding this voltage into the appropriate electronics.

FEATURES

- Capacities 7 - 100kg
- Stainless steel construction
- Single point 400 x 400mm platform
- OIML R60 and NTEP approved
- IP66 protection
- Available with metric and UNC threads

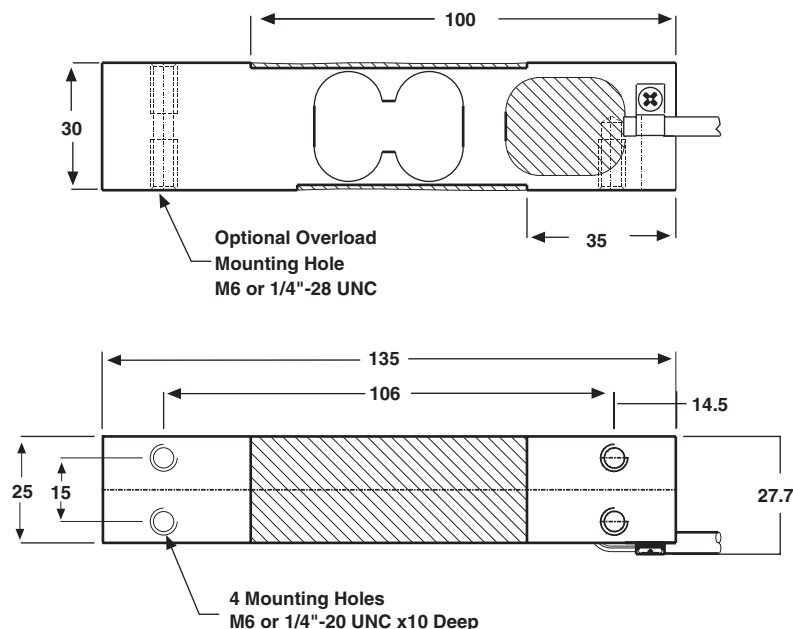
OPTIONAL FEATURES

- EEx ia IIC T4 - hazardous area approval
- FM approval available

APPLICATIONS

- Harsh environment small platforms
- Harsh environment check weighing

OUTLINE DIMENSIONS in millimeters

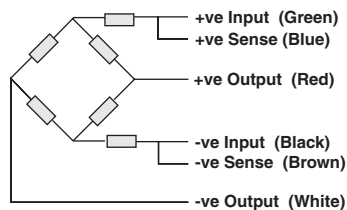


SPECIFICATIONS

PARAMETER	VALUE			UNIT
	NTEP	Non-Approved	C3 ⁽¹⁾	
NTEP/OIML Accuracy class	NTEP	Non-Approved	C3 ⁽¹⁾	
Maximum no. of intervals (n)	4000 single	1000	3000 ⁽²⁾	
$Y = E_{\max}/V_{\min}$	15000	2000	15000	
Rated capacity-R.C. (E_{\max})	7, 10, 15, 20, 30, 50, 75, 100			kg
Rated output-R.O.	2.0			mV/V
Rated output tolerance	0.2			±mV/V
Zero balance	0.2			±mV/V
Zero Return, 30 min.	0.0250	0.0300	0.0170	±% of applied load
Total Error (per OIML R60)	0.0015	0.0500	0.0200	±% of rated output
Temperature effect on zero	0.0030	0.0100	0.0023	±% of rated output/°C
Temperature effect on output	0.0008	0.0030	0.0010	±% of applied load/°C
Eccentric loading error	0.0035	0.0074	0.0049	±% of rated load/cm
Temp. range, compensated	-10 to +40			°C
Temp. range, safe	-20 to +70			°C
Maximum safe central overload	150			% of R.C.
Ultimate central overload	300			% of R.C.
Excitation, recommended	10			Vdc or Vac rms
Excitation, maximum	15			Vdc or Vac rms
Input impedance	385±15			Ohms
Output impedance	350±3			Ohms
Insulation resistance	>2000			Mega-Ohms
Cable length	1.5			m
Cable type	6wire, PVC, single floating screen			Standard
Construction	Stainless steel			
Environmental protection	IP66			
Platform size (max)	400 x 400			mm
Recommended torque	13.0			N*m

Notes
⁽¹⁾ 50% utilization

⁽²⁾ Capacities 50-75kg

Wiring Schematic Diagram

Balanced Temperature Compensation

Disclaimer

All product specifications and data are subject to change without notice.

Vishay Precision Group, Inc., its affiliates, agents, and employees, and all persons acting on its or their behalf (collectively, "Vishay Precision Group"), disclaim any and all liability for any errors, inaccuracies or incompleteness contained herein or in any other disclosure relating to any product.

Vishay Precision Group disclaims any and all liability arising out of the use or application of any product described herein or of any information provided herein to the maximum extent permitted by law. The product specifications do not expand or otherwise modify Vishay Precision Group's terms and conditions of purchase, including but not limited to the warranty expressed therein, which apply to these products.

No license, express or implied, by estoppel or otherwise, to any intellectual property rights is granted by this document or by any conduct of Vishay Precision Group.

The products shown herein are not designed for use in medical, life-saving, or life-sustaining applications unless otherwise expressly indicated. Customers using or selling Vishay Precision Group products not expressly indicated for use in such applications do so entirely at their own risk and agree to fully indemnify Vishay Precision Group for any damages arising or resulting from such use or sale. Please contact authorized Vishay Precision Group personnel to obtain written terms and conditions regarding products designed for such applications.

Product names and markings noted herein may be trademarks of their respective owners.