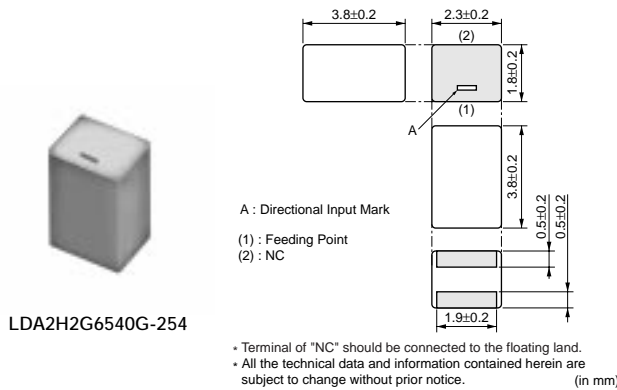
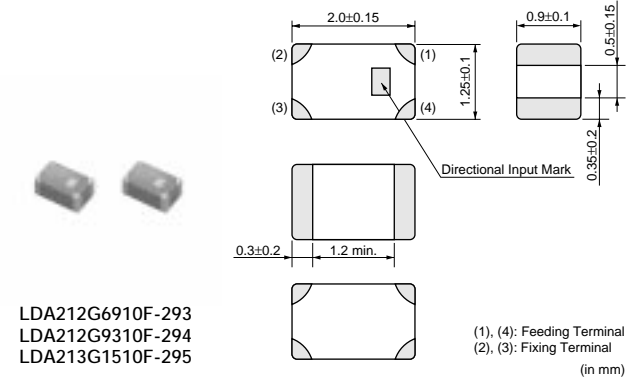
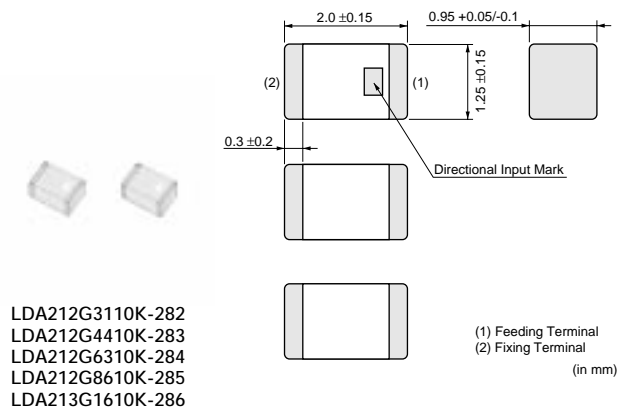
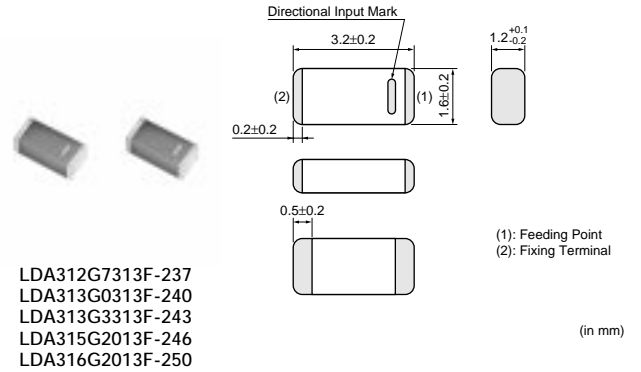
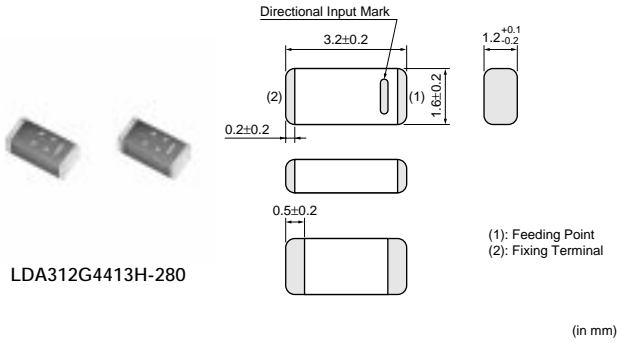


Chip Antennas

Chip Antennas

● LDA Series

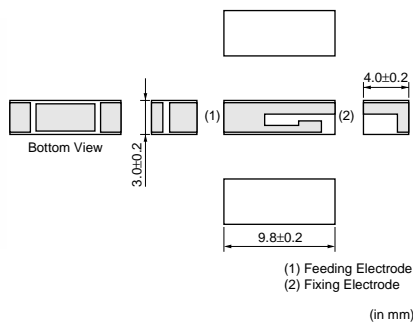


Part Number	Fo (MHz)	Bandwidth	VSWR (max.)
LDA312G4413H-280	2442	-	-
LDA312G7313F-237	2730	-	-
LDA313G0313F-240	3030	-	-
LDA313G3313F-243	3330	-	-
LDA315G2013F-246	5200	-	-
LDA316G2013F-250	6200	-	-
LDA212G3110K-282	2310	-	-
LDA212G4410K-283	2460	-	-
LDA212G6310K-284	2620	-	-
LDA212G6910F-293	2690	-	-
LDA212G8610K-285	2860	-	-
LDA212G9310F-294	2930	-	-
LDA213G1510F-295	3150	-	-
LDA213G1610K-286	3160	-	-
LDA2H2G6540G-254	2650	-	-

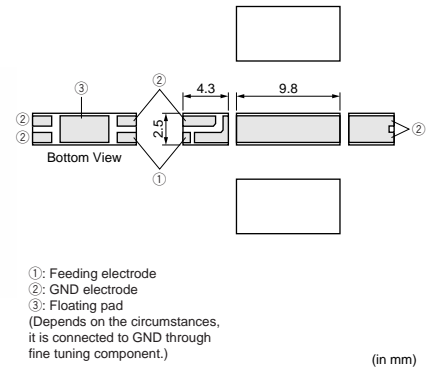
● ANC Series



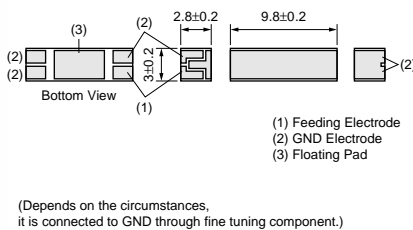
ANCG11G57SAA136
ANCG11G57SAA137



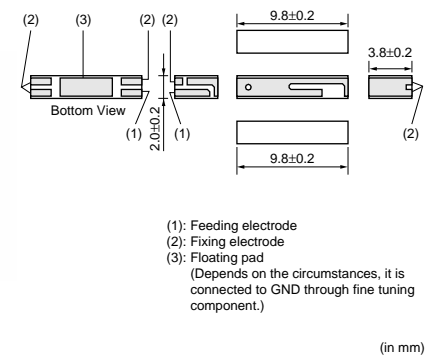
ANCG11G57SAA146



ANCG11G57SAA160

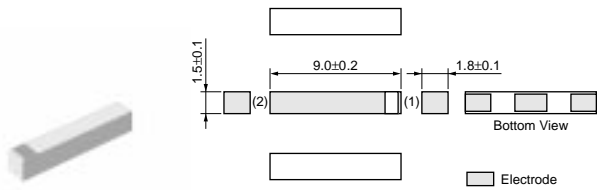


ANCG12G44SAA145
ANCG12G44SAA148



Continued on the following page.

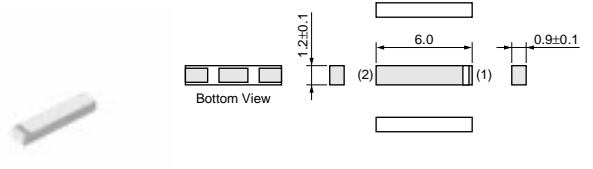
Continued from the preceding page.



ANCL11G57SAA165

(1) Feeding Electrode
(2) Fixing Electrode

(in mm)



ANCL11G57SAA166

(1) Feeding Electrode
(2) Fixing Electrode

(in mm)

Part Number	Fo (MHz)	Bandwidth (MHz)	VSWR (max.)
ANCG11G57SAA136	1575	2	3.0
ANCG11G57SAA137	1575	2	3.0
ANCG11G57SAA146	1575	2	3.5
ANCG11G57SAA160	1575	2	3.5
ANCG12G44SAA145	2442	84	4.0
ANCG12G44SAA148	2442	84	4.0
ANCL11G57SAA165	1575	2	3.0
ANCL11G57SAA166	1575	2	3.0

ANCG series are available on ground plane. Please contact us for detail specifications.