

## High Temperature Load Cell



### FEATURES

- Operational to 400°F
- Compact - rugged
- Low deflection
- Environmentally sealed
- 20,000 to 200,000 pound capacities

### DESCRIPTION

C2G1-H load cells operate at temperatures up to 400°F without needing external cooling. Ability to withstand extreme heat makes C2G1-H cells the perfect choice for weighing molten metals. Other applications include tank and scale installations in locations that are subject to intense heat.

Double diaphragm fabrication and gage linearizing combine to offer precision performance and long term reliability. Low deflection and superior sealing guarantee trouble-free operation. Relatively low mass and small deflection under load, produce

excellent frequency response. Overall, C2G1-H cells perform superbly in severe environments where other transducers cannot.

### APPLICATIONS

- High temperature environments

### SPECIFICATIONS

#### PERFORMANCE

Rated Output	2mV/V +/- 0.25%
Non-Linearity - % RO	0.20
Hysteresis - % RO	0.10
Repeatability - % RO	0.10
Creep - % RO (20 min.)	0.10

#### ELECTRICAL

Recommended Excitation	10Vac-dc
Zero Balance - % RO	2.5
Input Resistance (ohms)	375 +/-8 @ 400°F
Output Resistance (ohms)	350 +/-10.0
Number of Bridges	single

Min. Insulation Resistance - megohms (@ 50Vdc)	
Bridge to Ground	1000 megohms
Shield to Ground	1000 megohms
Electrical Connection	20 feet cable

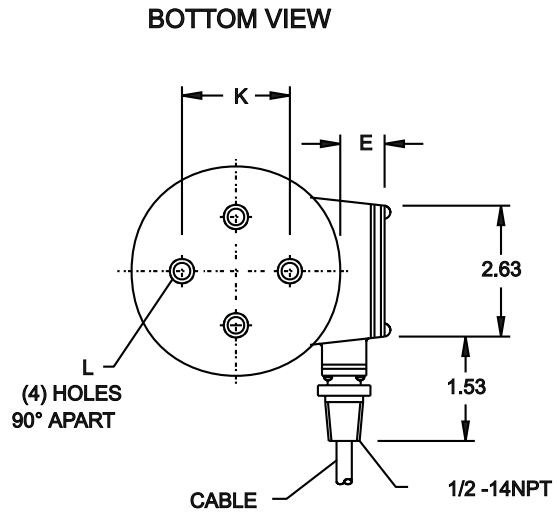
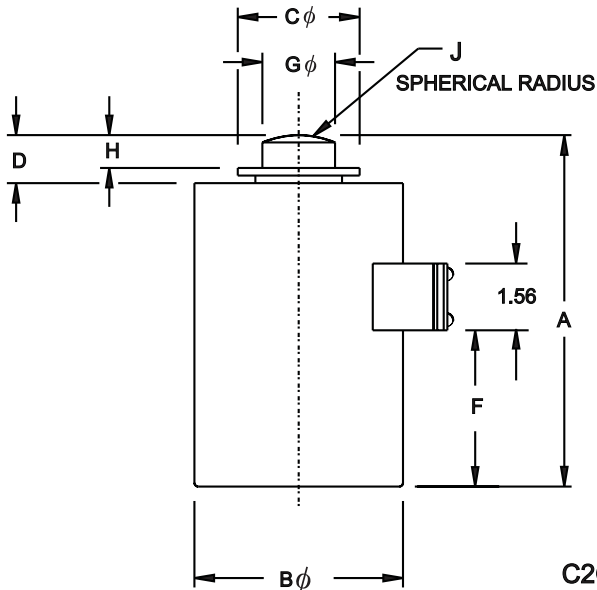
#### TEMPERATURE

Safe Range	+ 15 to + 400°F
Compensated Range	+ 15 to + 400°F
Effect on Zero Balance	0.00025% RO/°F
Effect on Rated Output	0.005% Load/°F

#### ADVERSE LOAD RATINGS

Safe Overload - % RO	150
Ultimate Overload - % RO	300

### DIMENSIONS



C2G1-H

CAPACITY (lbs)	A	Bφ	Cφ	D	E	F	Gφ	H	J	K	L
20,000	7 1/2	4 1/2	2 1/4	3/4	7/8	3 7/16	1 1/4	1/2	6	2 3/8	3/8-24UNF-2B X 3/8 DP
50,000	7 1/2	4 1/2	2 1/4	3/4	7/8	3 7/16	1 1/4	1/2	6	2 3/8	3/8-24UNF-2B X 3/8 DP
100,000	9 1/8	6	3 1/8	1 1/16	1 1/32	4 3/4	1 3/4	5/8	12	4	1/2-20UNF-2B X 3/4 DP
200,000	11 5/8	8	4 1/2	1 1/16	1 1/8	6 1/4	2 1/2	5/8	12	5 1/2	5/8-18UNF-2B X 1 DP

## Disclaimer

ALL PRODUCTS, PRODUCT SPECIFICATIONS AND DATA ARE SUBJECT TO CHANGE WITHOUT NOTICE.

Vishay Precision Group, Inc., its affiliates, agents, and employees, and all persons acting on its or their behalf (collectively, "Vishay Precision Group"), disclaim any and all liability for any errors, inaccuracies or incompleteness contained herein or in any other disclosure relating to any product.

The product specifications do not expand or otherwise modify Vishay Precision Group's terms and conditions of purchase, including but not limited to, the warranty expressed therein.

Vishay Precision Group makes no warranty, representation or guarantee other than as set forth in the terms and conditions of purchase. **To the maximum extent permitted by applicable law, Vishay Precision Group disclaims (i) any and all liability arising out of the application or use of any product, (ii) any and all liability, including without limitation special, consequential or incidental damages, and (iii) any and all implied warranties, including warranties of fitness for particular purpose, non-infringement and merchantability.**

Information provided in datasheets and/or specifications may vary from actual results in different applications and performance may vary over time. Statements regarding the suitability of products for certain types of applications are based on Vishay Precision Group's knowledge of typical requirements that are often placed on Vishay Precision Group products. It is the customer's responsibility to validate that a particular product with the properties described in the product specification is suitable for use in a particular application.

No license, express, implied, or otherwise, to any intellectual property rights is granted by this document, or by any conduct of Vishay Precision Group.

The products shown herein are not designed for use in life-saving or life-sustaining applications unless otherwise expressly indicated. Customers using or selling Vishay Precision Group products not expressly indicated for use in such applications do so entirely at their own risk and agree to fully indemnify Vishay Precision Group for any damages arising or resulting from such use or sale. Please contact authorized Vishay Precision Group personnel to obtain written terms and conditions regarding products designed for such applications.

Product names and markings noted herein may be trademarks of their respective owners.