



NEW!

PRODUCT INFORMATION

CT12xx/04

Double pole power contactors
for DC and AC applications



With the double pole contactors CT1215/04 and CT1230/04 Schaltbau expands its product range of new and innovative switching devices: Power contactors in the class up to 400 A!

The revolutionary arc quenching technology allows the almost unrestricted use of the contactor in AC and DC railway networks, even in countries where the usual tolerances are exceeded. The contactor guarantees reliable, low-wear switching of very low and high loads.

Features:

- Double-break NO contacts
- Compact, rugged design
- Drives with coil tolerances according to railway standard
- Low maintenance and long life

Standards:

- IEC 60077, EN 50124-1

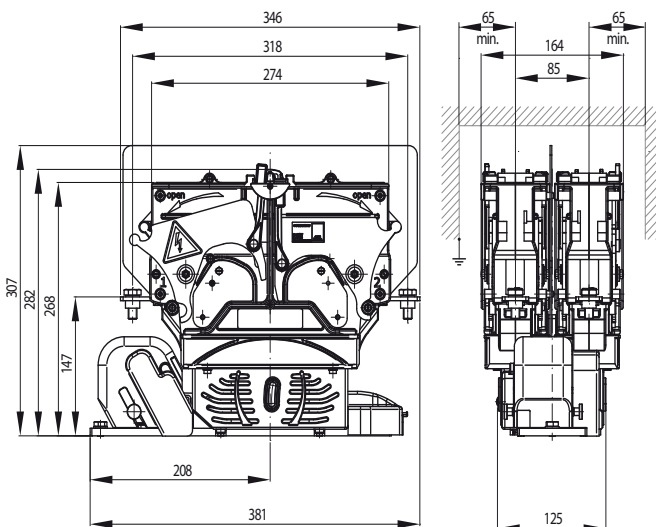
Applications:

All-pole disconnecter for railway and industrial applications:

- Power supply and battery systems
- PV systems

Dimension diagram

Specifications



Dimension diagram CT1215/04

Dimensions in mm

Series	CT1215/04	CT1230/04
Type of voltage	DC (bidirectional), AC (f < 60 Hz)	
Main contacts	2 x NO	
Nominal voltage U_n	1,500 V	3,000 V
Rated operating voltage U_e	1,800 V	3,600 V
Rated insulation voltage U_{Nm}	3,000 V	4,800 V
Rated impulse withstand voltage U_{Ni}	15 kV	25 kV
Pollution degree	PD3	PD3
Overtoltage category	OV3	OV3
Conventional thermal current I_{th}	400 A	400 A
Auxiliary contacts	1 x S870 (a ₁), 1 x S870 (b ₀), 2 x S826 or 4 x S826	
Coil voltage U_s	24 / 36 / 72 / 110 V DC	
Mounting position	horizontal or vertical	
Temperature	-40° C ... +70° C	
Mechanical endurance	> 2,000,000 operating cycles	