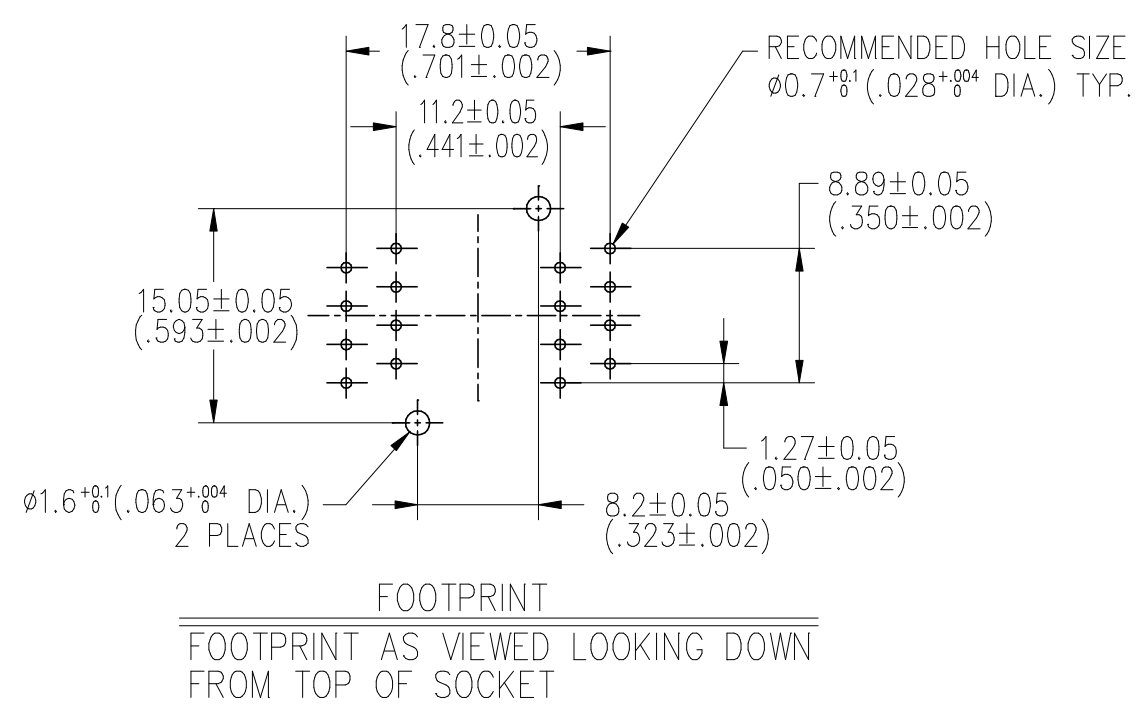
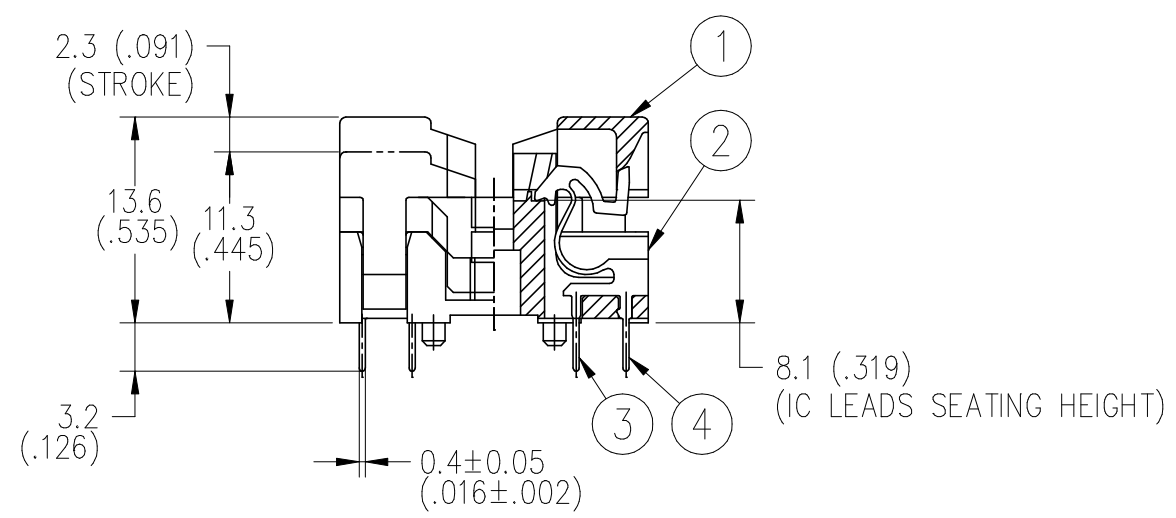
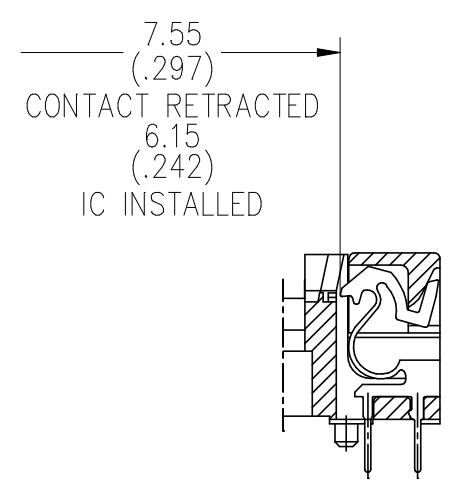
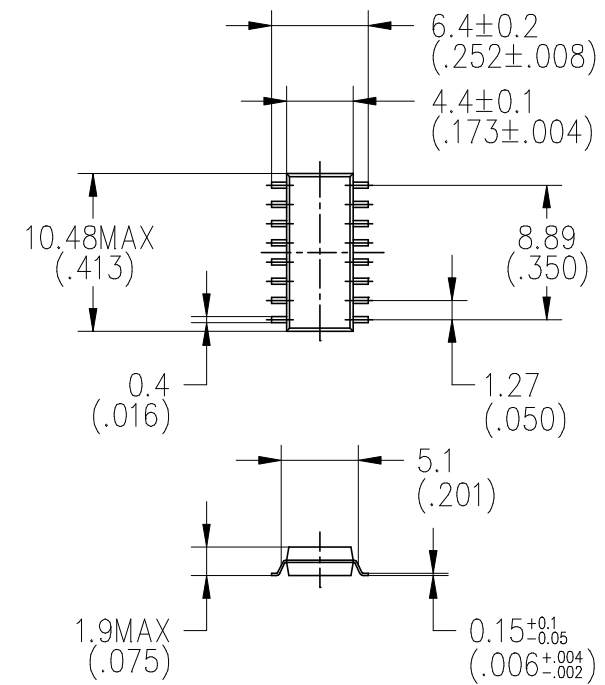
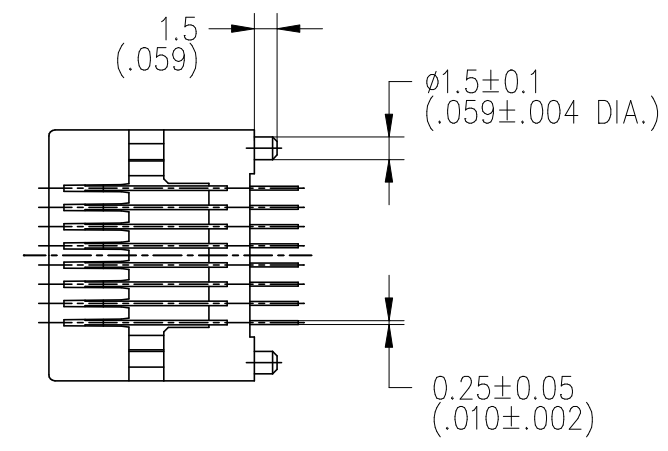
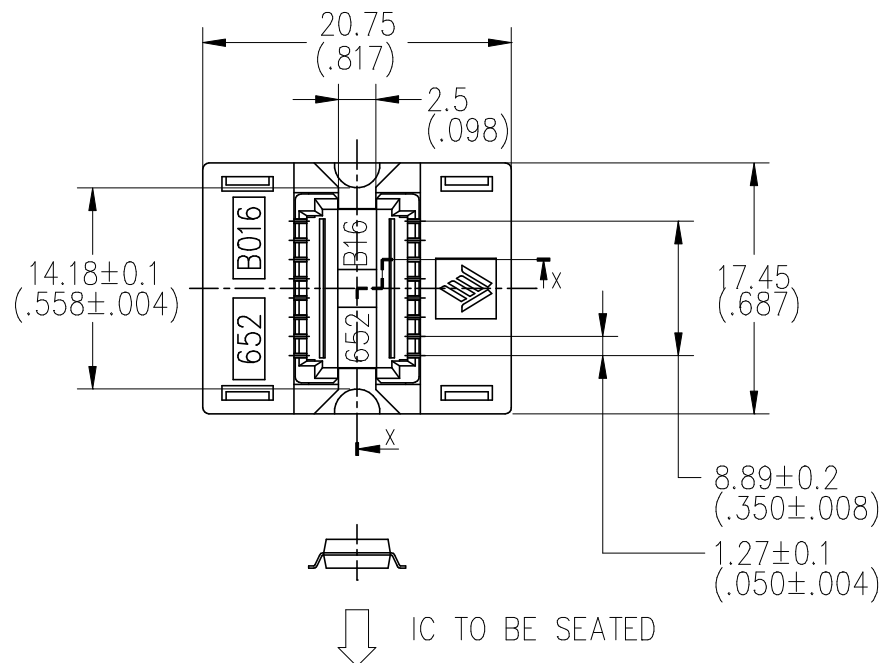


DATE	ECO NO	DESCRIPTION	BY
Sep 27 1993	CDN 93024		A.K
Oct 4 1993	DCN 93025	Revise	A.K
Sep 5 1994		Revise	A.K



RECOMMENDED IC REF

Performance.

1. Insulation Resistance : 1000 M min. at 500V.D.C
2. Dielectric Withstanding Voltage : 600 V.A.C RMS
3. Contact Resistance : 30m max. at 20mV max.
4. Temperature Range : -40°C +150°C

④	CONTACT- 2	Be Cu	8	PLATING : Au
③	CONTACT- 1	Be Cu	8	PLATING : Au
②	BASE-16P	PEI	1	COLOR : BLACK
①	COVER-16P	PEI	1	COLOR : BLACK
P.NO	PART DESCRIPTION	MATERIAL	QTY	NOTE
GENERAL TOLERANCES				
±0.3 ±.012				
UNIT	SCALE	ANGLE	 WELLS JAPAN LIMITED ウエルズ・ジャパン株式会社 TITLE SOP 16P SOCKET DWG NO. 652B0162211	
mm in.		3rd.		
DRAWN	/	/		
CHECKED	/	/		
APPROVED	/	/		